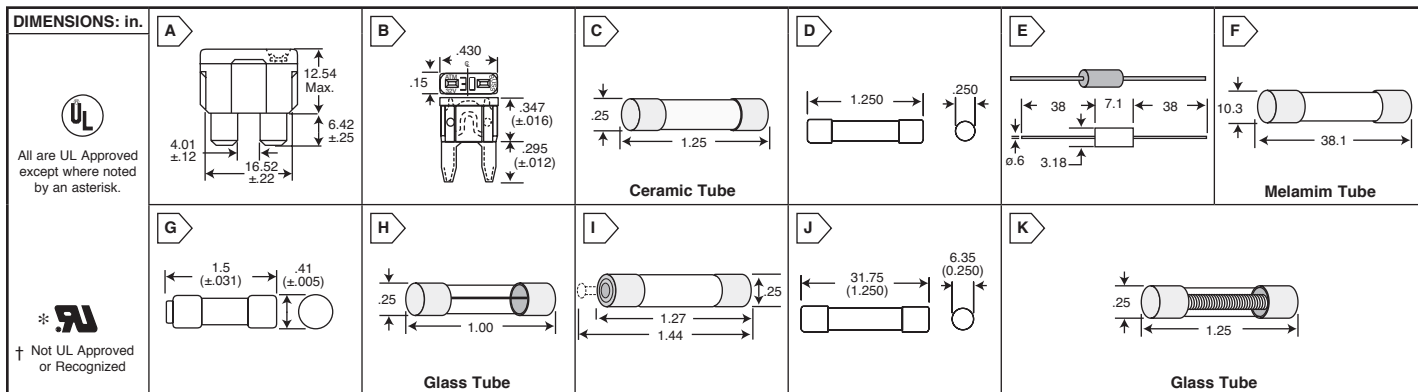


# COOPER BUSSMANN Fuses

COOPER Bussmann

Products may be RoHS compliant. Check mouser.com for RoHS status.



## ATC SERIES FUSES

Blade Type, Fast-Acting Fuses



For quantities greater than listed, call for quote.

MOUSER STOCK NO.	Fig.	Amp (A)	Volt (V)	Color	Price Each		
					1	25	50
504-ATC-1	A	1	32	Black	1.73	1.62	1.55
504-ATC-2	A	2	32	Gray	1.73	1.62	1.55
504-ATC-3	A	3	32	Violet	.58	.546	.523
504-ATC-4	A	4	32	Pink	.58	.546	.523
504-ATC-5	A	5	32	Tan	.58	.546	.523
504-ATC-7-1/2	A	7.5	32	Brown	.58	.546	.523
504-ATC-10	A	10	32	Red	.58	.546	.523
504-ATC-15	A	15	32	Blue	.58	.546	.523
504-ATC-20	A	20	32	Yellow	.58	.546	.523
504-ATC-25	A	25	32	Clear	.58	.546	.523
504-ATC-30	A	30	32	Green	.58	.546	.523
504-ATC-35	A	35	32	Blue/Green	.93	.863	.821
504-ATC-40	A	40	32	Amber	.58	.546	.523

## 1/4" X 1-1/4" FUSES (CONT.)

AGC Series Fast-Acting Fuses

For quantities greater than listed, call for quote.

MOUSER STOCK NO.	Fig.	Amp (A)	Volt (V)	Price Each		
				1	25	50
504-BK/AGC-6-R	D	6	250	.54	.514	.476
504-BK/AGC-7-R	D	7	250	.54	.514	.476
504-BK/AGC-7-1/2-R	D	7 1/2	250	.69	.63	.60
504-BK/AGC-8-R	D	8	250	.64	.604	.56
504-BK/AGC-10-R	D	10	250	.64	.604	.56
504-AGC-12-R	D	12	32	.38	.362	.335
504-BK/AGC-15-R	D	15	32	.38	.362	.335
504-BK/AGC-20-R	D	20	32	.38	.362	.335
504-BK/AGC-25-R	D	25	32	.38	.362	.335
504-BK/AGC-30-R	D	30	32	.38	.362	.335

## 1/4" X 1" FUSES (CONT.)

AGX Series Fast-Acting Fuses

For quantities greater than listed, call for quote.

MOUSER STOCK NO.	Fig.	Amp (A)	Volt (V)	Price Each		
				1	25	50
504-AGX-4	H	4	250	.37	.354	.336
504-AGX-5	H	5	250	.37	.354	.336
504-AGX-10	H	10	32	.37	.354	.336
504-AGX-15	H	15	32	.35	.34	.322
504-AGX-20	H	20	32	2.51	2.05	1.90

## ATM SERIES FUSES

Blade Type, Fast-Acting Fuses



For quantities greater than listed, call for quote.

MOUSER STOCK NO.	Fig.	Amp (A)	Volt (V)	Color	Price Each		
					1	25	50
504-ATM-2	B	2	32	Gray	.69	.613	.559
504-ATM-3	B	3	32	Violet	.86	.766	.698
504-ATM-4	B	4	32	Pink	.69	.613	.559
504-ATM-5	B	5	32	Tan	.69	.613	.559
504-ATM-10	B	10	32	Red	.69	.613	.559
504-ATM-15	B	15	32	Blue	.69	.613	.559
504-ATM-20	B	20	32	Yellow	.69	.613	.559
504-ATM-25	B	25	32	Clear	.69	.613	.559
504-ATM-30	B	30	32	Green	.69	.613	.559

## MCRW SERIES FUSES

Fast-Acting Axial Lead Fuses



For quantities greater than listed, call for quote.

MOUSER STOCK NO.	Fig.	Amp (A)	Volt (V)	Price Each		
				1	25	50
* 504-MCRW-125MA	E	1/8	125	.50	.402	.361
* 504-MCRW-250MA	E	1/4	125	.50	.402	.361
* 504-MCRW-500MA	E	1/2	125	.50	.402	.361
* 504-MCRW-1A	E	1	125	.50	.402	.361
* 504-MCRW-1-1/2A	E	1 1/2	125	.50	.402	.361
* 504-MCRW-2A	E	2	125	.50	.402	.361
* 504-MCRW-3A	E	3	125	.50	.402	.361
* 504-MCRW-4A	E	4	125	.50	.402	.361
* 504-MCRW-5A	E	5	125	.50	.402	.361
* 504-MCRW-10A	E	10	125	.50	.402	.361

## 1/4" X 1-1/4" FUSES



### ABC Series Fast-Acting Fuses

RoHS Compliant

For quantities greater than listed, call for quote.

MOUSER STOCK NO.	Fig.	Amp (A)	Volt (V)	Price Each		
				1	25	50
504-ABC-2	C	2	250	2.46	2.39	2.34
504-ABC-3	C	3	250	2.46	2.39	2.34
504-ABC-5	C	5	250	2.46	2.39	2.33
504-ABC-6	C	6	250	1.22	1.12	.838
504-ABC-8	C	8	250	1.22	1.12	.838
504-ABC-10	C	10	250	.89	.73	.62
504-ABC-12	C	12	250	.89	.73	.62
504-ABC-15	C	15	250	.90	.84	.83
* 504-ABC-20	C	20	250	3.39	3.31	3.27
* 504-ABC-25	C	25	125	3.39	3.31	3.27
† 504-ABC-30	C	30	125	3.40	3.33	3.27
504-AGC-175/1000-R	D	0.175	250	3.94	3.74	3.47
504-BK/AGC-1/16-R	D	1/16	250	9.52	8.75	7.50
504-BK/AGC-1/10-R	D	1/10	250	2.70	2.53	2.34
504-BK/AGC-3/10-R	D	3/10	250	1.23	1.15	1.05
504-BK/AGC-1/8-R	D	1/8	250	1.31	1.23	1.14
504-BK/AGC-1/4-R	D	1/4	250	.38	.362	.335
504-BK/AGC-1/2-R	D	1/2	250	.59	.558	.514
504-BK/AGC-3/4-R	D	3/4	250	.59	.558	.517
504-BK/AGC-1-R	D	1	250	.34	.325	.302
504-BK/AGC-1-1/2-R	D	1 1/2	250	.34	.325	.302
504-BK/AGC-1-1/4-R	D	1 1/4	250	.34	.325	.302
504-BK/AGC-1-6/10-R	D	1 6/10	250	.34	.325	.302
504-BK/AGC-2-R	D	2	250	.34	.325	.302
504-BK/AGC-2-1/2-R	D	2 1/2	250	.34	.325	.302
504-BK/AGC-3-R	D	3	250	.34	.325	.302
504-BK/AGC-3-1/2-R	D	3 1/2	250	.38	.362	.335
504-BK/AGC-4-R	D	4	250	.58	.545	.505
504-BK/AGC-5-R	D	5	250	.54	.514	.476

## 13/32" X 1 1/2" FUSES



### KTK-R Series Limitron® Fast-Acting Midget Fuses

RoHS Compliant

For quantities greater than listed, call for quote.

MOUSER STOCK NO.	Fig.	Amp (A)	Volt (V)	Price Each		
				1	25	50
504-KTK3	F	3	600	19.81	16.85	15.16
504-KTK-5	F	5	600	19.81	16.85	15.16
504-KTK-15	F	15	600	19.81	16.85	15.16
504-KTK-25	F	25	600	21.61	17.49	15.81
504-KTK-30	F	30	600	21.61	17.49	15.81

### KTK-R Series Limitron® Fast-Acting Fuses



For quantities greater than listed, call for quote.

MOUSER STOCK NO.	Fig.	Amp (A)	Volt (V)	Price Each		
				1	25	50
504-KTK-R-1/4	G	0.25	600	25.33	25.28	25.25
504-KTK-R-1	G	1	600	19.01	18.94	17.11
504-KTK-R-2	G	2	600	19.01	18.94	17.11
504-KTK-R-10	G	10	600	19.01	18.94	17.11
504-KTK-R-15	G	15	600	19.01	18.94	17.11

## 1/4" X 1" FUSES

### AGX Series Fast-Acting Fuses

For quantities greater than listed, call for quote.

MOUSER STOCK NO.	Fig.	Amp (A)	Volt (V)	Price Each		
				1	25	50
504-AGX-3/8	H	3/8	250	1.26	1.23	1.17
504-AGX-1/4	H	1/4	250	2.13	1.80	1.64
504-AGX-1/2	H	1/2	250	.89	.851	.806
504-AGX-1	H	1	250	.51	.49	.465
504-AGX-1-1/2	H	1 1/2	250	.51	.49	.465
504-AGX-2	H	2	250	.51	.49	.465
504-AGX-3	H	3	250	.51	.49	.465

## 1/4" X 1-1/4" FUSES

### GLD Series Fast-Acting, Pin Indicating/Non Timing Delay Fuses

For quantities greater than listed, call for quote.

MOUSER STOCK NO.	Fig.	Amp (A)	Volt (V)	Price Each		
				1	25	50
504-GLD-1-1/2	I	1 1/2	125	20.64	17.29	15.23
504-GLD-3	I	3	125	6.09	5.91	5.73
504-GLD-4	I	4	125	9.84	9.55	9.26
504-GLD-5	I	5	125	8.21	8.00	7.73
504-GLD-15	I	15	125	8.20	8.74	8.28

## MDA Series Time-Delay Fuses



For quantities greater than listed, call for quote.

MOUSER STOCK NO.	Fig.	Amp (A)	Volt (V)	Price Each		
				1	25	50
504-BK/MDA-1/4-R	J	1/4	250	1.94	1.88	1.85
504-BK/MDA-1/2-R	J	1/2	250	1.94	1.88	1.85
504-BK/MDA-1-R	J	1	250	1.94	1.88	1.85
504-BK/MDA-2-R	J	2	250	1.94	1.88	1.85
504-BK/MDA-3-R	J	3	250	1.94	1.88	1.85
504-BK/MDA-4-R	J	4	250	1.94	1.88	1.85
504-BK/MDA-5-R	J	5	250	1.94	1.88	1.85
504-BK/MDA-6-R	J	6	250	1.94	1.88	1.85
504-BK/MDA-6-1/4-R	J	6 1/4	250	1.94	1.88	1.85
504-BK/MDA-8-R	J	8	250	1.94	1.88	1.85
504-BK/MDA-10-R	J	10	250	1.94	1.88	1.85
504-BK/MDA-15-R	J	15	250	1.94	1.88	1.85
504-BK/MDA-20-R	J	20	250	1.94	1.88	1.85
504-BK/MDA-25-R	J	25	250	1.94	1.88	1.85
504-BK/MDA-30-R	J	30	250	1.94	1.88	1.85

## MDL Series Time-Delay Fuses

For quantities greater than listed, call for quote.

MOUSER STOCK NO.	Fig.	Amp (A)	Volt (V)	Price Each		
				1	25	50
† 504-MDL-1/10	K	1/10	250	6.39	6.25	6.18
504-MDL-1/8	K	1/8	250	6.39	6.25	6.18
504-MDL-1/4	K	1/4	250	3.03	2.89	2.63
504-MDL-3/10	K	3/10	250	5.01	4.60	3.45
504-MDL-1/2	K	1/2	250	2.30	2.24	2.18
504-MDL-3/4	K	3/4	250	.73	.713	.686
504-MDL-1	K	1	250	2.30	2.24	2.18
504-MDL-1-1/4	K	1 1/4	250	3.63	3.33	2.50
504-MDL-1-1/2	K	1 1/2	250	2.30	2.24	2.18
504-MDL-2	K	2	250	2.30	2.24	2.18
504-MDL-2-1/2	K	2 1/2	250	.73	.713	.686
504-MDL-3	K	3	250	2.30	2.24	2.18
504-MDL-4	K	4	250	.73	.713	.686
504-MDL-5	K	5	250	2.30	2.24	2.18
504-MDL-6	K	6	250	.73	.713	.686
504-MDL-6-1/4	K	6 1/4	250	.73	.713	.686
504-MDL-7	K	7	250	3.63	3.33	2.50
504-MDL-8	K	8	250	.73	.713	.686
* 504-MDL-10	K	10	32	3.26	3.19	3.11
* 504-MDL-15	K	15	32	3.26	3.19	3.11
* 504-MDL-20	K					