

# AEM Fuses and ESD Devices



RoHS Compliant This product is RoHS compliant.

Size	Dimensions: in. (mm)		
	L	W	T
0402	0.039±0.004 (1.00±0.10)	0.020±0.004 (0.51±0.10)	0.020±0.004 (0.51±0.10)
0508	0.078±0.008 (2.00±0.20)	0.049±0.008 (1.25±0.20)	0.003±0.006 (0.75±0.15)
0603	0.063±0.006 (1.60±0.15)	0.031±0.006 (0.80±0.15)	0.031±0.006 (0.80±0.15)

## GCDIODE™ ESD SUPPRESSORS

- Features:**
- Low clamping voltage
    - BT Series: 50V
    - CT Series: 30V
  - Trigger clamping voltage
    - BT Series: 500V
    - CT Series: 300V
  - Ultra low capacitance
  - Low leakage current
  - Fast response time
  - B-Directional flip-chip design
  - Glass ceramic monolithic structure



For quantities greater than listed, call for quote.

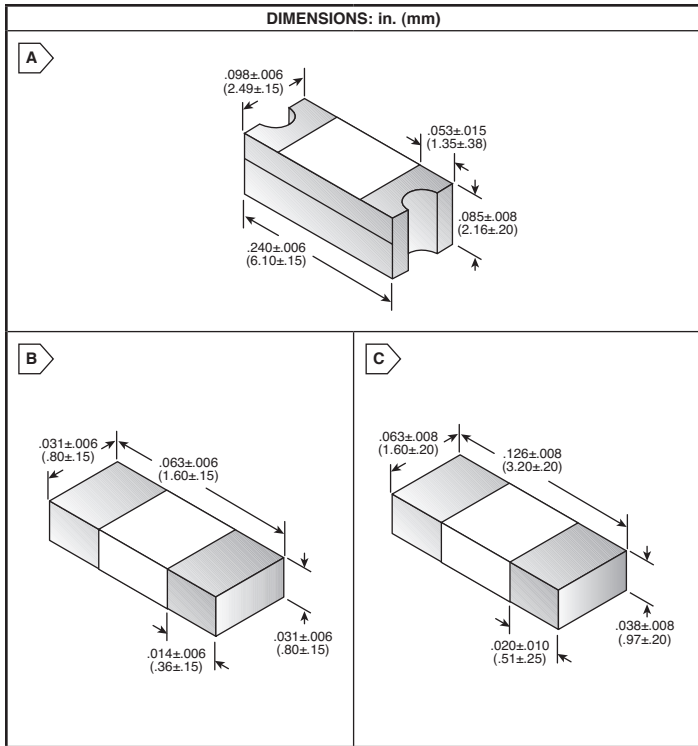
MOUSER STOCK NO.	AEM Part No.	Fig.	Volts (V)	Value (pF)	Price Each		
					1	25	50
637-ES0402V014BT	ES0402V014BT	A	14	0.25	.22	.20	.18
637-ES0603V014BT	ES0603V014BT	A	14	0.25	.19	.17	.15
637-ES0402V014CT	ES0402V014CT	A	14	0.25	.22	.20	.18
637-ES0603V014CT	ES0603V014CT	A	14	0.25	.19	.17	.15

## ESD-EMI SERIES SURFACE MOUNT VARISTORS

- Features:**
- ESD Protection and perfect filter performance
  - Low leakage current
  - Low Leakage inductance and fast response time
  - Working Volts: 5V

For quantities greater than listed, call for quote.

MOUSER STOCK NO.	AEM Part No.	Fig.	Clamp Volts (V)	Value (pF)	Freq. (MHz)	Price Each		
						1	25	50
637-MVF0508-100M	MVF0508L4V005F100M	B	55	57.5	100	.36	.29	.25
637-MVF0508-200M	MVF0508L4V005F200M	B	65	30	200	.32	.26	.22
637-MVF0508-300M	MVF0508L4V005F300M	B	80	15	300	.32	.26	.22



## AIRMATRIX™ 2410 FAST ACTING SMD FUSES

- Features:**
- High inrush current withstanding capability
  - Very fast acting at 200% overload current level
  - Fiberglass enforced epoxy fuse body
  - Copper or copper alloy composite fuse link
  - Copper termination with nickel and tin plating
  - Operating temp: -55°C to 125°C (with de-rating)

For quantities greater than listed, call for quote.

MOUSER STOCK NO.	AEM Part No.	Fig.	Amp (A)	Volts (V)	Price Each		
					1	25	50
637-AF2-0.50V125TM	AF2-0.50V125TM	A	0.5	125	.37	.33	.30
637-AF2-0.63V125TM	AF2-0.63V125TM	A	0.63	125	.37	.33	.30
637-AF2-0.75V125TM	AF2-0.75V125TM	A	0.75	125	.37	.33	.30
637-AF2-1.00V125TM	AF2-1.00V125TM	A	1.0	125	.37	.33	.30
637-AF2-1.25V125TM	AF2-1.25V125TM	A	1.25	125	.37	.33	.30
637-AF2-1.50V125TM	AF2-1.50V125TM	A	1.5	125	.37	.33	.30
637-AF2-2.00V125TM	AF2-2.00V125TM	A	2.0	125	.38	.34	.31
637-AF2-2.50V125TM	AF2-2.50V125TM	A	2.5	125	.38	.34	.31
637-AF2-3.00V125TM	AF2-3.00V125TM	A	3.0	125	.38	.34	.31
637-AF2-3.15V125TM	AF2-3.15V125TM	A	3.15	125	.38	.34	.31
637-AF2-3.50V125TM	AF2-3.50V125TM	A	3.5	125	.38	.34	.31
637-AF2-4.00V125TM	AF2-4.00V125TM	A	4.0	125	.38	.34	.31
637-AF2-5.00V125TM	AF2-5.00V125TM	A	5.0	125	.38	.34	.31
637-AF2-6.30V125TM	AF2-6.30V125TM	A	6.3	125	.38	.34	.31
637-AF2-7.00V125TM	AF2-7.00V125TM	A	7.0	125	.38	.34	.31
637-AF2-8.00V125TM	AF2-8.00V125TM	A	8.0	125	.38	.34	.31
637-AF2-10.0V125TM	AF2-10.0V125TM	A	10.0	125	.38	.34	.31
637-AF2-12.0V065TM	AF2-12.0V065TM	A	12.0	65	.38	.34	.31
637-AF2-15.0V065TM	AF2-15.0V065TM	A	15.0	65	.38	.34	.31
637-AF2-20.0V065TM	AF2-20.0V065TM	A	20.0	65	.38	.34	.31

## SLOW BLOW SURFACE MOUNT FUSES

- Features:**
- Superior pulse tolerance capability
  - Multilayer ceramic monolithic structure with silver fusing element
  - Standard EIA0603/EIAJ1608 Size
  - Standard EIA1206/EIAJ3216 Size
  - Silver termination with nickel and tin plating, providing excellent solderability
  - Operating temperature: -55°C to 125°C (with de-rating)

For quantities greater than listed, call for quote.

MOUSER STOCK NO.	AEM Part No.	Fig.	Amp (A)	Volts (V)	Price Each		
					1	25	50
<b>SolidMatrix® 0603</b>							
637-F0603SB1000V032	F0603SB1000V032T	B	1.0	32	.43	.39	.35
637-F0603SB1500V032	F0603SB1500V032T	B	1.5	32	.43	.39	.35
637-F0603SB2000V032	F0603SB2000V032T	B	2.0	32	.43	.39	.35
637-F0603SB2500V032	F0603SB2500V032T	B	2.5	32	.43	.39	.35
637-F0603SB3000V032	F0603SB3000V032T	B	3.0	32	.43	.39	.35
637-F0603SB3500V032	F0603SB3500V032T	B	3.5	32	.43	.39	.35
637-F0603SB4000V032	F0603SB4000V032T	B	4.0	32	.43	.39	.35
637-F0603SB4500V032	F0603SB4500V032T	B	4.5	32	.43	.39	.35
637-F0603SB5000V032	F0603SB5000V032T	B	5.0	32	.43	.39	.35
<b>SolidMatrix® 1206</b>							
637-F1206SB1000V063	F1206SB1000V063T	C	1.0	63	.48	.43	.41
637-F1206SB1250V063	F1206SB1250V063T	C	1.25	63	.48	.43	.41
637-F1206SB1500V063	F1206SB1500V063T	C	1.5	63	.48	.43	.41
637-F1206SB2000V063	F1206SB2000V063T	C	2.0	63	.48	.43	.41
637-F1206SB2500V032	F1206SB2500V032T	C	2.5	32	.48	.43	.41
637-F1206SB3000V032	F1206SB3000V032T	C	3.0	32	.48	.43	.41
637-F1206SB3500V032	F1206SB3500V032T	C	3.5	32	.52	.50	.48
637-F1206SB4000V032	F1206SB4000V032T	C	4.0	32	.52	.50	.48
637-F1206SB4500V032	F1206SB4500V032T	C	4.5	32	.52	.50	.48
637-F1206SB5000V032	F1206SB5000V032T	C	5.0	32	.52	.50	.48
637-F1206SB5500V024	F1206SB5500V024T	C	5.5	24	.52	.50	.48
637-F1206SB6000V024	F1206SB6000V024T	C	6.0	24	.52	.50	.48
637-F1206SB7000V024	F1206SB7000V024T	C	7.0	24	.52	.50	.48
637-F1206SB8000V024	F1206SB8000V024T	C	8.0	24	.52	.50	.48

## HIGH INRUSH CURRENT SURFACE MOUNT FUSES

- Features:**
- High inrush current withstanding capability
  - Multilayer ceramic monolithic structure with silver fusing element
  - Standard EIA0603/EIAJ1608 Size
  - Standard EIA1206/EIAJ3216 Size
  - Silver termination with nickel and tin plating, providing excellent solderability
  - Operating temperature: -55°C to 125°C (with de-rating)

For quantities greater than listed, call for quote.

MOUSER STOCK NO.	AEM Part No.	Fig.	Amp (A)	Volts (V)	Price Each		
					1	25	50
<b>SolidMatrix® 0603</b>							
637-F0603HI1000V032	F0603HI1000V032T	B	1.0	32	.32	.29	.26
637-F0603HI1500V032	F0603HI1500V032T	B	1.5	32	.32	.29	.26
637-F0603HI2000V032	F0603HI2000V032T	B	2.0	32	.32	.29	.26
637-F0603HI2500V032	F0603HI2500V032T	B	2.5	32	.32	.29	.26
637-F0603HI3000V032	F0603HI3000V032T	B	3.0	32	.32	.29	.26
637-F0603HI3500V032	F0603HI3500V032T	B	3.5	32	.32	.29	.26
637-F0603HI4000V032	F0603HI4000V032T	B	4.0	32	.32	.29	.26
637-F0603HI4500V032	F0603HI4500V032T	B	4.5	32	.32	.29	.26
637-F0603HI5000V032	F0603HI5000V032T	B	5.0	32	.32	.29	.26
<b>SolidMatrix® 1206</b>							
637-F1206HI1000V063	F1206HI1000V063T	C	1.0	63	.35	.32	.29
637-F1206HI1500V063	F1206HI1500V063T	C	1.5	63	.35	.32	.29
637-F1206HI2000V063	F1206HI2000V063T	C	2.0	63	.35	.32	.29
637-F1206HI2500V032	F1206HI2500V032T	C	2.5	32	.35	.32	.29
637-F1206HI3000V032	F1206HI3000V032T	C	3.0	32	.35	.32	.29
637-F1206HI3500V032	F1206HI3500V032T	C	3.5	32	.35	.32	.29
637-F1206HI4000V032	F1206HI4000V032T	C	4.0	32	.35	.32	.29
637-F1206HI4500V032	F1206HI4500V032T	C	4.5	32	.35	.32	.29
637-F1206HI5000V032	F1206HI5000V032T	C	5.0	32	.35	.32	.29