

MURATA PTC Thermistors



This product is RoHS compliant.



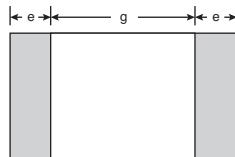
MURATA POSISTOR® CIRCUIT PROTECTION FOR OVERHEAT SENSING CHIP TYPE

PRF Series

This chip PTC thermistor is reflow soldering SMD type for overheat sensing for power transistors, power diodes and power ICs in hybrid circuits.

Features:

- SMD type is helpful for miniaturizing circuits because of its small size and light weight.
- Excellent thermal response due to small size.
- Solid state construction provides excellent mechanical vibration and impact resistance.
- Contactless operation provides noiseless operation.



Part No.	Dimensions: mm				
	L	W	T	e	g
PRF18_RB	1.6±0.15	0.8±0.15	0.8±0.15	0.1 to 0.6	-
PRF21_RA	2.0±0.2	1.25±0.2	0.9±0.2	0.2 min	0.5 min

For quantities greater than listed, call for quote.

MOUSER STOCK NO.	Murata Part No.	Case Size	Res. (Ω)	Voltage Max.	Curie Point	Price Each			
						1	50	100	500
81-PRF18BE471QB1RB	PRF18BE471QB1RB	0603	470	32	70°C	.82	.53	.43	.307
81-PRF18BD471QB1RB	PRF18BD471QB1RB	0603	470	32	80°C	.82	.53	.43	.307
81-PRF18BB471QB1RB	PRF18BB471QB1RB	0603	470	32	100°C	.82	.53	.43	.307
81-PRF18BA471QB1RB	PRF18BA471QB1RB	0603	470	32	110°C	.82	.53	.43	.307
81-PRF18AR471QB5RB	PRF18AR471QB5RB	0603	470	32	120°C	.82	.53	.43	.307
81-PRF18AS471QB5RB	PRF18AS471QB5RB	0603	470	32	130°C	.82	.53	.43	.307
81-PRF18BA471QB5RB	PRF18BA471QB5RB	0603	470	32	110°C	.82	.53	.43	.307
81-PRF18BB471QB5RB	PRF18BB471QB5RB	0603	470	32	100°C	.82	.53	.43	.307
81-PRF18BD471QB5RB	PRF18BD471QB5RB	0603	470	32	80°C	.82	.53	.43	.307
81-PRF18BE471QB5RB	PRF18BE471QB5RB	0603	470	32	70°C	.82	.53	.43	.307
81-PRF18BF471QB5RB	PRF18BF471QB5RB	0603	470	32	60°C	.82	.53	.43	.307
81-PRF18BG471QB5RB	PRF18BG471QB5RB	0603	470	32	50°C	.82	.53	.43	.307
81-PRF21BB471QB1RA	PRF21BB471QB1RA	0805	470	32	100°C	.87	.62	.492	.398
81-PRF21AR471QB5RA	PRF21AR471QB5RA	0805	470	32	120°C	.86	.58	.47	.379
81-PRF21AS471QB5RA	PRF21AS471QB5RA	0805	470	32	130°C	.86	.58	.47	.379
81-PRF21BA471QB5RA	PRF21BA471QB5RA	0805	470	32	110°C	.86	.58	.47	.379
81-PRF21BB471QB5RA	PRF21BB471QB5RA	0805	470	32	100°C	.86	.58	.47	.379
81-PRF21BC471QB5RA	PRF21BC471QB5RA	0805	470	32	90°C	.86	.58	.47	.379
81-PRF21BD471QB5RA	PRF21BD471QB5RA	0805	470	32	80°C	.86	.58	.47	.379
81-PRF21BE471QB5RA	PRF21BE471QB5RA	0805	470	32	70°C	.86	.58	.47	.379

Thermal Protection Murata

MURATA POSISTOR® CIRCUIT PROTECTION FOR OVERHEAT SENSING LEAD TYPE AND LUG-TERMINAL

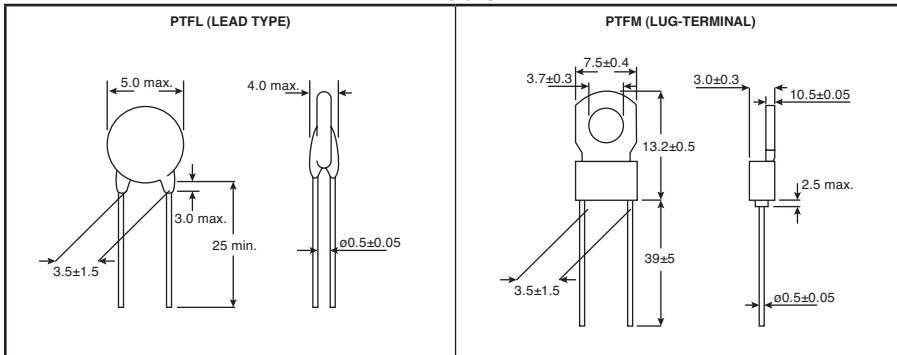
DIMENSIONS: mm

PTFL and PTFM Series

PTFM Series has been developed for protecting power overheating and also for sensing the temperature of other components which may be overheated. The "POSISTOR" offers excellent temperature sensing ability, exhibiting a steep change in electrical resistivity near the temperature setting. PTFL series is suitable for use as an air temperature sensor.

Features:

- PTFM Series is a screw-fixing type and PTFL Series is a lead type, providing ease of mounting.
- Compact and light design as well as excellent thermal response.
- Solid-state construction withstands mechanical vibration and impact sufficiently.
- Contactless operation provides a prolonged service life, yet permits noiseless operation.
- The operating point of "POSISTOR" is set on the steepest point along the resistance-temperature characteristic curve, thus performing the overheat protective operation securely.
- PTFM Series and PTFL Series have the same temperature characteristic, providing a selection depending on the mounting method.



For quantities greater than listed, call for quote.

MOUSER STOCK NO.	Murata Part No.	Case Size	Res. (Ω)	Voltage Max.	Curie Point	Price Each				
						1	50	100	500	
PTFL Series										
81-PTFL04BG222Q2N34B	PTFL04BG222Q2N34B0	4	220	16	50°C	.86	.548	.467	.365	
81-PTFL04BE222Q2N34B	PTFL04BE222Q2N34B0	4	220	16	70°C	.86	.548	.467	.365	
81-PTFL04BD222Q2N34B	PTFL04BD222Q2N34B0	4	220	16	80°C	.86	.548	.467	.365	
81-PTFL04BD222Q2N51A	PTFL04BD222Q2N51A0	4	220	16	80°C	.86	.548	.467	.365	
81-PTFL04BC222Q2N34B	PTFL04BC222Q2N34B0	4	220	16	90°C	.86	.548	.467	.365	
81-PTFL04BH471Q2N34B	PTFL04BH471Q2N34B0	4	470	16	40°C	.86	.548	.467	.365	
81-PTFL04BG471Q2N34B	PTFL04BG471Q2N34B0	4	470	16	50°C	.86	.548	.467	.365	
81-PTFL04BF471Q2N34B	PTFL04BF471Q2N34B0	4	470	16	60°C	.86	.548	.467	.365	
81-PTFL04BD471Q2N34B	PTFL04BD471Q2N34B0	4	470	16	80°C	.86	.548	.467	.365	
81-PTFL04BC471Q2N34B	PTFL04BC471Q2N34B0	4	470	16	90°C	.86	.548	.467	.365	
81-PTFL04BB471Q2N34B	PTFL04BB471Q2N34B0	4	470	16	100°C	.86	.548	.467	.365	
PTFM Series										
81-PTFM04BC471Q2N34B	PTFM04BC471Q2N34B0	4	15	16	90°C	1.34	1.19	.995	.807	
81-PTFM04BH471Q2N34B	PTFM04BH471Q2N34B0	4	470	16	40°C	1.38	1.27	1.02	.828	
81-PTFM04BG471Q2N34B	PTFM04BG471Q2N34B0	4	470	16	50°C	1.18	.992	.88	.712	
81-PTFM04BF471Q2N34B	PTFM04BF471Q2N34B0	4	470	16	60°C	1.20	1.12	.891	.723	
81-PTFM04BE471Q2N34B	PTFM04BE471Q2N34B0	4	470	16	70°C	1.34	1.19	.995	.807	
81-PTFM04BD471Q2N34B	PTFM04BD471Q2N34B0	4	470	16	80°C	1.17	1.12	1.10	1.08	
81-PTFM04BB471Q2N34B	PTFM04BB471Q2N34B0	4	470	16	100°C	1.34	1.19	.995	.807	
81-PTFM04BH222Q2N34B	PTFM04BH222Q2N34B0	4	2200	16	40°C	1.16	.992	.859	.691	
81-PTFM04BF222Q2N34B	PTFM04BF222Q2N34B0	4	2200	16	60°C	1.34	1.04	.995	.807	
81-PTFM04BC222Q2N34B	PTFM04BC222Q2N34B0	4	2200	16	90°C	1.34	1.19	1.12	1.04	
81-PTFM04BE222Q2N34B	PTFM04BE222Q2N34B0	4	2.2K	16	70°C	1.34	1.19	.995	.807	
81-PTFM04BD222Q2N34B	PTFM04BD222Q2N34B0	4	2.2K	16	80°C	1.22	1.17	.901	.723	
81-PTFM04BB222Q2N34B	PTFM04BB222Q2N34B0	4	2.2K	16	100°C	1.34	1.19	.995	.807	