

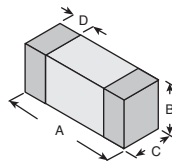
MURATA PTC Thermistors



MURATA POSISTOR® PTC CHIP THERMISTORS CIRCUIT PROTECTION FOR OVERCURRENT PROTECTION (CONT.)

Features :

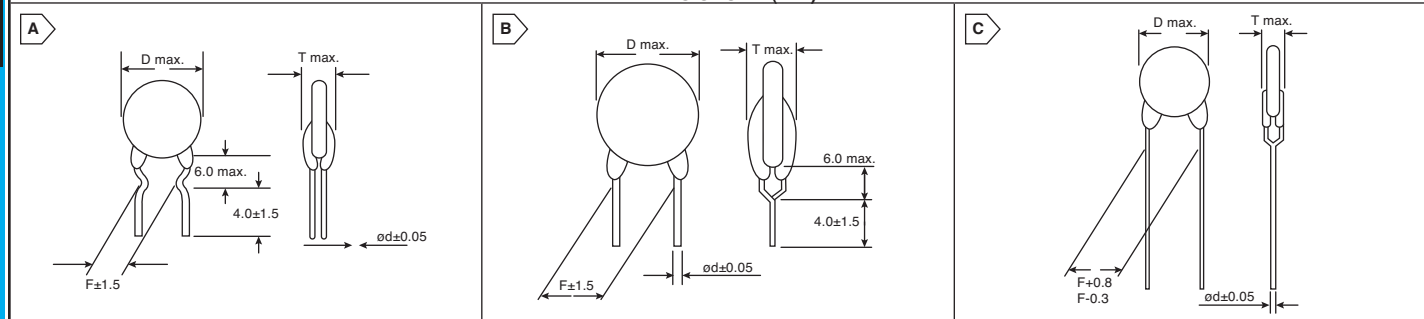
- Rapid operation to protect the circuit in an overcurrent condition abnormally such as a short circuit. By removing the overcurrent condition, these products automatically return to the initial condition and can be used repeatedly
- Stable resistance after operation due to ceramic PTC
- 0603 SMD type for reflow soldering
- Lead is not contained in the terminations
- Operating temperature: -10°C to +60°C



For quantities greater than listed, call for quote.

MOUSER STOCK NO.	Murata Part No.	Case Size	Res. (Ω)	Volt. (Max.)	Non-Operating Current (mA)	Trip Current (mA)	Max. Current (mA)	Curie Point	Dimensions: mm				Price Each			
									A	B	C	D	1	50	100	500
81-PRG21BC0R2MM1RA	PRG21BC0R2MM1RA	0805	0.2	6	500	2000	10000	90°C	2.0±0.2	1.25±0.2	0.9±0.2	0.2 min	1.12	.77	.646	.521
81-PRG21BC0R6MM1RA	PRG21BC0R6MM1RA	0805	0.6	6	285	1100	10	90°C	2.0±0.2	1.25±0.2	0.9±0.2	0.2 min	1.12	.77	.646	.521
81-PRG21BC2R2MM1RA	PRG21BC2R2MM1RA	0805	2.2	16	150	600	6.5	90°C	2.0±0.2	1.25±0.2	0.9±0.2	0.2 min	1.12	.77	.646	.521
81-PRG21BC3R3MM1RA	PRG21BC3R3MM1RA	0805	3.3	20	120	480	6.0	90°C	2.0±0.2	1.25±0.2	0.9±0.2	0.2 min	1.12	.77	.646	.521
81-PRG21BC4R7MM1RA	PRG21BC4R7MM1RA	0805	4.7	20	100	400	5000	90°C	2.0±0.2	1.25±0.2	0.9±0.2	0.2 min	1.12	.77	.646	.521
81-PRG21BC6R8MM1RA	PRG21BC6R8MM1RA	0805	6.8	20	80	320	3500	90°C	2.0±0.2	1.25±0.2	0.9±0.2	0.2 min	1.12	.77	.646	.521
81-PRG21BC1R0MM1RA	PRG21BC1R0MM1RA	0805	1	12	220	850	10	90°C	2.0±0.2	1.25±0.2	0.9±0.2	0.2 min	1.12	.77	.646	.521
81-PRG21BB150MB1RK	PRG21BB150MB1RK	0805	15	20	40	140	1600	100°C	2.0±0.2	1.25±0.2	0.9±0.2	0.2 min	1.18	.82	.723	.587
81-PRG21BB220MB1RK	PRG21BB220MB1RK	0805	22	20	30	110	1100	100°C	2.0±0.2	1.25±0.2	0.9±0.2	0.2 min	1.18	.82	.723	.587

DIMENSIONS: in (mm)



MURATA POSISTOR® FOR OVERCURRENT PROTECTION

PTGL Series

The Murata PTC Thermistors - POSISTOR® - are Positive Temperature Coefficient Thermistors. The PTC Thermistors resistance rises sharply when its temperature exceeds a specific temperature. These characteristics make Murata PTC POSISTORs ideal for circuit protection in a variety of applications, such as temperature sensor and temperature compensation, and for current control in common household appliances, humidifiers, facsimile, copiers, dryers of all kinds, refrigerators, freezers and air conditioners.

For quantities greater than listed, call for quote.

MOUSER STOCK NO.	Murata Part No.	Fig.	Max. Voltage	Non-Operating Current (mA)	Trip Current (mA)	Max. Current (A)	Res. (Ω)	Curie Point (°C)	D	T	LS	LD	Price Each			
													1	50	100	500
81-PTGL07BD100N2B5A0	PTGL07BD100N2B5A0	A	24	80	320	2.0	10±30%	80	7.4	4.0	5.0	0.6	1.14	1.03	.783	.736
81-PTGL07BD6R8N2B51B	PTGL07BD6R8N2B51B	A	24	90	370	2.0	6.8±30%	80	7.4	4.0	5.0	0.6	1.14	.917	.888	.737
81-PTGL12AR1R2H2B51B	PTGL12AR1R2H2B51B	A	30	520	1420	4.3	1.2±25%	120	12.0	4.0	5.0	0.6	1.31	.98	.917	.832
81-PTGL13AR0R8H2B71B	PTGL13AR0R8H2B71B	A	30	680	1900	5.5	0.8±25%	120	13.5	4.0	7.5	0.6	1.83	1.22	1.15	.752
81-PTGL07BD20N3B51B	PTGL07BD20N3B51B	A	32	45	200	1.5	22±30%	80	7.4	4.0	5.0	0.6	1.21	.80	.762	.521
81-PTGL07BD150N3B51B	PTGL07BD150N3B51B	A	32	60	240	1.5	15±30%	80	7.4	4.0	5.0	0.6	1.12	1.01	.722	.47
81-PTGL07AR220M3P51B	PTGL07AR220M3P51B	A	56	90	240	1.0	22±20%	120	7.4	4.0	5.0	0.6	1.13	.764	.727	.496
81-PTGL07AR8R2M3P51B	PTGL07AR8R2M3P51B	A	56	130	350	1.0	8.2±20%	120	7.4	4.0	5.0	0.6	1.21	1.06	.762	.522
81-PTGL09AR150M3B51B	PTGL09AR150M3B51B	A	56	150	400	1.2	15±20%	120	9.5	4.0	5.0	0.6	1.37	.922	.877	.611
81-PTGL10AR3R9M3P51B	PTGL10AR3R9M3P51B	A	56	210	550	2.0	3.9±20%	120	10.5	4.0	5.0	0.6	1.69	1.19	1.12	.959
81-PTGL09AR4R7M3B51B	PTGL09AR4R7M3B51B	A	56	270	700	2.0	4.7±20%	120	9.5	4.0	5.0	0.6	1.03	.959	.769	.622
81-PTGL10AR3R9M3B51B	PTGL10AR3R9M3B51B	A	56	300	800	2.0	3.9±20%	120	10.5	4.0	5.0	0.6	1.67	1.19	1.12	.959
81-PTGL14AR3R3M3B71B	PTGL14AR3R3M3B71B	A	56	380	980	2.5	3.3±20%	120	14.5	4.0	7.5	0.6	2.23	1.64	1.54	1.29
81-PTGL05AR550H4P51B	PTGL05AR550H4P51B	A	80	50	135	0.7	55±20%	120	5.5	4.5	5.0	0.6	1.09	.811	.766	.639
81-PTGL07AR250H4B51A	PTGL07AR250H4B51A	A	80	110	300	1.0	25±25%	120	7.4	4.5	5.0	0.6	1.12	.748	.722	.47
81-PTGL12AR5R6H4B71B	PTGL12AR5R6H4B71B	A	80	270	760	4.3	5.6±25%	120	12.0	4.5	7.5	0.6	1.60	1.17	1.10	.938
81-PTGL13AR3R7H4B71B	PTGL13AR3R7H4B71B	A	80	310	860	5.5	3.7±25%	120	13.5	4.5	7.5	0.6	1.93	1.57	1.47	1.22
81-PTGL07AR750M7B52B	PTGL07AR750M7B52B	B	125	65	165	0.3	75±20%	120	8.0	6.0	5.0	0.6	1.35	1.03	.938	.769
81-PTGL09AR470M6B52B	PTGL09AR470M6B52B	B	125	90	230	0.5	47±20%	120	10.0	5.5	5.0	0.6	1.43	1.28	1.09	.919
81-PTGL09AR220M6B52B	PTGL09AR220M6B52B	B	125	135	340	0.8	22±20%	120	10.0	5.5	5.0	0.6	1.21	.80	.762	.522
81-PTGL14AR100M6B72B	PTGL14AR100M6B72B	B	125	220	550	1.2	10±20%	120	15.0	5.5	7.5	0.6	2.54	2.20	1.94	1.60
81-PTGL18AR6R8M6B72B	PTGL18AR6R8M6B72B	B	125	300	750	1.4	6.8±20%	120	18.5	5.5	7.5	0.6	3.59	2.40	2.26	1.66
81-PTGL18AR4R7M6B72B	PTGL18AR4R7M6B72B	B	125	360	900	1.7	4.7±20%	120	18.5	5.5	7.5	0.6	3.79	3.28	2.89	2.40
81-PTGL18AR3R3M6B72B	PTGL18AR3R3M6B72B	B	125	420	1050	2.0	3.3±20%	120	18.5	5.5	7.5	0.6	4.00	3.16	2.95	2.41
81-PTGL09AR220M6C61B	PTGL09AR220M6C61B	A	140	140	330	1.0	22±20%	120	9.6	6.0	6.5	0.65	1.29	.98	.917	.832
81-PTGL07AS150K6B5A0	PTGL07AS150K6B5A0	A	140	170	400	1.0	15±20%	120	11.6	6.0	6.5	0.65	1.09	.885	.834	.463
81-PTGL13AR6R8M6C01B	PTGL13AR6R8M6C01B	A	140	290	670	1.0	6.8±20%	120	14.0	6.0	10.0	0.65	2.53	2.19	1.92	1.60
81-PTGL16AR5R6M6C01B	PTGL16AR5R6M6C01B	A	140	340	780	2.0	5.6±20%	120	17.0	6.0	10.0	0.65	3.69	2.53	2.47	2.26
81-PTGL07BB220N0B52A	PTGL07BB220N0B52A	C	250	90	300	0.5	22±30%	100	8.0	6.0	5.0	0.6	1.12	.769	.65	.523
81-PTGL10BB120N0P52A0	PTGL10BB120N0P52A0	C	250	90	300	0.6	12±30%	100	11.0	6.0	5.0	0.6	.71	.674	.537	.432
81-PTGL09AR390N0B52A	PTGL09AR390N0B52A	C	250	100	280	0.6	39±30%	120	10.0	6.0	5.0	0.6	1.31	.927	.807	.655
81-PTGL05AR181M9N51B	PTGL05AR181M9N51B	A	265	29	70	0.3	180±20%	120	6.5	6.5	5.0	0.5	1.40	1.13	1.04	.843
81-PTGL05AR121M9N51B	PTGL05AR121M9N51B	A	265	35	85	0.3	120±20%	120	6.5	6.5	5.0	0.5	1.12	.89	.695	.481
81-PTGL07AR820M9A51B	PTGL07AR820M9A51B	A	265	60	150	0.5	82±20%	120	8.2	6.5	5.0	0.5	1.43	1.15	1.09	.919
81-PTGL07AR560M9A51B	PTGL07AR560M9A51B	A	265	80	190	0.8	56±20%	120	8.2	6.5	5.0	0.5	1.09	1.01	.819	.685
81-PTGL09AR390M9C61B	PTGL09AR390M9C61B	A	265	100	240	1.2	39±20%	120	10.0	6.5	6.5	0.65	1.12	.909	.876	.719
81-PTGL12AR270M9C01B	PTGL12AR270M9C01B	A	265	150	360	1.5	27±20%	120	14.0	6.5	10.0	0.65	2.49	2.03	1.58	1.06
81-PTGL14AR180M9C01B	PTGL14AR180M9C01B	A	265	180	440	1.8	18±20%	120	15.7	6.5	10.0	0.65	3.01	2.63	2.25	1.88
81-PTGL05AR151H8P52B	PTGL05AR151H8P52B	B	265	28	78	0.2	150±25%	120	6.0	6.0	5.0	0.6	.86	.721	.643	.516
81-PTGL07AR650H8B52B	PTGL07AR650H8B52B	B	265	68	190	1.0	65±25%	120	8.0	6.0	5.0	0.6	1.34	.907	.863	.59
81-PTGL07AR450H8B52B	PTGL07AR450H8B52B	B	265	80	220	1.0	45±25%	120	8.0	6.0	5.0	0.6	1.16	.78	.742	.507
81-PTGL09AR250H8B52B	PTGL09AR250H8B52B	B	265	118	330	1.0	25±25%	120	10.0	6.0	5.0	0.6	1.07	.727	.637	.481
81-PTGL12AR150H8B72B	PTGL12AR150H8B72B	B	265	165	460	1.5	15±25%	120	12.5	6.0	7.5	0.6	1.98	1.58	1.48	1.23
81-PTGL13AR100H8B72B	PTGL13AR100H8B72B	B	265	200	560	2.2	10±25%	120	14.0	6.0	7.5	0.6	2.37	1.62	1.52	1.27
81-PTGL18AR6R0H8B72B	PTGL18AR6R0H8B72B	B	265	300	830	4.1	6.0±25%	120	18.5	6.0	7.5	0.6	2.92	2.74	2.17	1.75