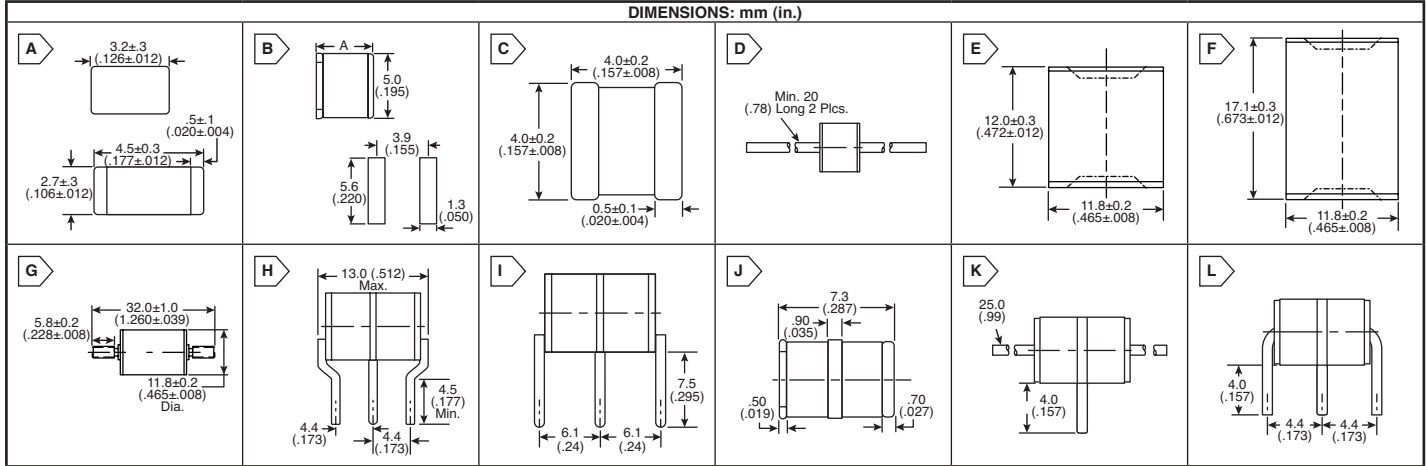


# BOURNS Gas Discharge Tubes

DIMENSIONS: mm (in.)



## 2051 SERIES GDT SURGE PROTECTORS

- Features:**
- High insulation resistance
  - UL Recognition pending
- Applications:**
- MDC / PCI modems
  - Splitters, Telecom CPE, Datacom



RoHS Compliant

For quantities greater than listed, call for quote.

MOUSER STOCK NO.		Fig.	DC Sparkover @100V/s	Impulse Sparkover 100V/us	Price Each		
Mfr.	Mfr. Part No.				1	50	100
652-2051-09-SM-RPLF	A	90	90	500	1.32	.77	.66
652-2051-15-SM-RPLF	A	150	150	500	1.32	.77	.66
652-2051-20-SM-RPLF	A	200	200	500	1.32	.77	.66
652-2051-23-SM-RPLF	A	230	230	500	1.32	.77	.66
652-2051-30-SM-RPLF	A	300	300	600	1.32	.77	.66
652-2051-35-SM-RPLF	A	350	350	650	1.32	.77	.66
652-2051-40-SM-RPLF	A	400	400	750	1.32	.77	.66
652-2051-42-SM-RPLF	A	420	420	750	1.32	.77	.66
652-2051-47-SM-RPLF	A	470	470	800	1.32	.77	.66
652-2051-60-SM-RPLF	A	600	600	950	1.32	.77	.66

## 2031T SERIES 2-POLE GDTs

- Features:**
- Designed to operate with TBU® devices
  - UL Recognition pending
  - Fast acting
- Applications:**
- Telecommunications
  - Industrial electronics
  - Avionics

For quantities greater than listed, call for quote.

MOUSER STOCK NO.		Fig.	DC Sparkover @100V/s	Impulse Breakdown Voltage @ 5000 V/us	Price Each		
Mfr.	Mfr. Part No.				1	50	100
652-2031-15T-SM-RPLF	B	60	60	500V	1.29	1.08	.97
652-2031-15T-SMLF	B	60	60	500V	1.23	1.03	.92
652-2031-23T-SM-RPLF	B	185	185	650V	1.29	1.08	.97
652-2031-23T-SMLF	B	185	185	650V	1.23	1.03	.92
652-2031-42T-SM-RPLF	B	360	360	850V	1.29	1.08	.97
652-2031-42T-SMLF	B	360	360	850V	1.23	1.03	.92

## 2035 SERIES PRECISION GDT SURGE PROTECTORS

- Features:**
- High surge current rating
  - Low capacitance and insertion loss
- Applications:**
- Stable breakdown throughout life
  - UL Recognition pending

For quantities greater than listed, call for quote.

MOUSER STOCK NO.		Fig.	DC Sparkover @100V/s	Impulse Sparkover 100V/us	Price Each		
Mfr.	Mfr. Part No.				1	50	100
652-2035-09-SM	B	90	90	350	1.24	1.01	.93
652-2035-15-SM	B	150	150	400	1.24	1.01	.93
652-2035-23-SM	B	230	230	450	1.24	1.01	.93
652-2035-25-SM	B	250	250	475	1.24	1.01	.93
652-2035-30-SM	B	300	300	525	1.24	1.01	.93
652-2035-35-SM	B	350	350	600	1.24	1.01	.93
652-2035-40-SM	B	400	400	650	1.24	1.01	.93
652-2035-42-SM	B	420	420	675	1.24	1.01	.93
652-2035-60-SM	B	600	600	950	1.24	1.01	.93

## 2087/2089 SERIES HIGH VOLTAGE MINIATURE 2-POLE GDTs

- Features:**
- High insulation resistance
  - UL recognized
- Applications:**
- Industrial/Consumer electronics
  - Telecommunications

For quantities greater than listed, call for quote.

MOUSER STOCK NO.		Fig.	DC Sparkover @100V/s	Impulse Sparkover 100V/us	Price Each		
Mfr.	Mfr. Part No.				1	50	100
652-2087-80-SM-RPLF	C	800	800	1300	.90	.75	.68
652-2087-120-SM-RPLF	C	1200	1200	1700	.90	.75	.68
652-2087-150-SM-RPLF	C	1500	1500	2000	.90	.75	.68
652-2089-160-BLF	D	1600	1600	2400	1.05	.88	.79
652-2089-250-BLF	D	2500	2500	3300	1.05	.88	.79
652-2089-360-BLF	D	3600	3600	4400	1.05	.88	.79

## 2093/2095 SERIES HIGH VOLTAGE 2-POLE GDTs

- Features:**
- High insulation resistance
  - UL recognized
- Applications:**
- Industrial/Consumer electronics
  - Telecommunications

For quantities greater than listed, call for quote.

MOUSER STOCK NO.		Fig.	DC Sparkover @100V/s	Impulse Sparkover 100V/us	Price Each		
Mfr.	Mfr. Part No.				1	50	100
652-2093-120-SM-RPLF	C	1200	1200	1700	1.17	.98	.88
652-2093-250-SM-RPLF	C	2500	2500	3100	1.17	.98	.88
652-2093-270-SM-RPLF	C	2700	2700	3300	1.17	.98	.88
652-2095-80-BLF	D	800	800	1100	1.32	1.10	.99
652-2095-160-BLF	D	1600	1600	2300	1.32	1.10	.99
652-2095-250-BLF	D	2500	2500	3500	1.32	1.10	.99
652-2095-270-BLF	D	2700	2700	3600	1.32	1.10	.99
652-2095-350-BLF	D	3500	3500	4900	1.32	1.10	.99

## 2061/2063 SERIES HIGH CURRENT 2-POLE GDTs

- Features:**
- 60kA/100kA surge rating
  - High power handling
  - Low leakage
- Applications:**
- Telecommunications equipment
  - Industrial equipment/electronics

For quantities greater than listed, call for quote.

MOUSER STOCK NO.		Fig.	DC Sparkover @100V/s	Impulse Sparkover 100V/us	Price Each		
Mfr.	Mfr. Part No.				1	50	100
652-2061-23-ALF	E	230	230	600	11.54	9.46	7.36
652-2061-35-ALF	E	350	350	800	11.54	9.46	7.36
652-2061-42-ALF	E	420	420	900	11.54	9.46	7.36
652-2061-47-ALF	E	470	470	900	11.54	9.46	7.36
652-2061-60-ALF	E	600	600	1100	11.54	9.46	7.36
652-2063-23-ALF	F	230	230	600	12.58	10.32	8.02
652-2063-35-ALF	F	350	350	800	12.58	10.32	8.02
652-2063-47-ALF	F	470	470	900	12.58	10.32	8.02
652-2063-60-ALF	F	600	600	1100	12.58	10.32	8.02
652-2063-80-ALF	F	800	800	1300	12.58	10.32	8.02

## 2035/2037 SERIES MINIATURE 2-POLE GDTs

- Features:**
- UL recognized
  - High surge current rating
  - Stable breakdown throughout life
- Applications:**
- Telecommunications
  - Industrial, Commercial, and Consumer Electronics
  - Automotive, aircraft, military electronics

For quantities greater than listed, call for quote.

MOUSER STOCK NO.		Fig.	DC Sparkover @100V/s	Impulse Breakdown Voltage Volts @ 1000 V/us	Price Each		
Mfr.	Mfr. Part No.				1	50	100
652-2035-09-B	D	90	90	550	1.24	.97	.75
652-2035-15-B	D	150	150	550	1.24	.97	.83
652-2035-35-B	D	350	350	750	1.24	.97	.83
652-2037-15-B	D	150	150	550	1.43	1.23	1.03
652-2037-35-B	D	350	350	750	1.43	1.23	1.03

## 2097 SERIES HIGH VOLTAGE 2-POLE GDTs

- Features:**
- High power rating
  - High voltage range
- Applications:**
- Telecommunications electronics
  - Industrial equipment/electronics

For quantities greater than listed, call for quote.

MOUSER STOCK NO.		Fig.	DC Sparkover @100V/s	Impulse Sparkover 100V/us	Price Each		
Mfr.	Mfr. Part No.				1	50	100
652-2097-100-DLF	G	1000	1000	1500	14.24	13.54	11.39
652-2097-160-DLF	G	1600	1600	2300	14.24	13.54	11.39
652-2097-220-DLF	G	2200	2200	2700	14.24	13.54	11.39

## 2020/2026 SERIES 3-POLE GDTs

- Features:**
- Balanced TRIGARD®
  - UL recognized
  - Stable breakdown throughout life
- Applications:**
- Telecommunications
  - Industrial, Consumer and Commercial electronics
  - Automotive, aircraft, military electronics

For quantities greater than listed, call for quote.

MOUSER STOCK NO.		Fig.	DC Sparkover @100V/s	Single Impulse Discharge Current (kA) 8/20us	Price Each		
Mfr.	Mfr. Part No.				1	50	100
652-2020-15T-C2LF	H	60	60	5	2.21	1.48	1.38
652-2020-23T-C2LF	H	180	180	5	2.20	1.48	1.38
652-2020-42T-C2LF	H	360	360	5	2.20	1.48	1.38
652-2020-42T-C2FLF	H	360	360	10	2.53	2.17	1.98
652-2026-15-C2	I	150	150	40	2.54	2.00	1.72
652-2026-35-C2	I	350	350	40	2.59	2.00	1.72
652-2020-42T-C4LF	I	360	360	10	2.53	2.17	1.98

## 2030/2036 SERIES MINIATURE 3-POLE GDTs

- Features:**
- UL recognized
  - Stable breakdown throughout life
- Applications:**
- Telecommunications
  - Industrial, Consumer and Commercial electronics
  - Automotive, aircraft, military electronics

For quantities greater than listed, call for quote.

MOUSER STOCK NO.		Fig.	DC Sparkover @100V/s	Impulse Sparkover 100V/us	Price Each		
Mfr.	Mfr. Part No.				1	50	100
652-2030-23T-SM-RPLF	J	185	185	4	2.44	1.58	1.35
652-2030-42T-SM-RPLF	J	360	360	4	2.97	2.23	1.98
652-2036-09-B	K	90	90	20	2.60	2.11	1.95
652-2036-15-B	K	150	150	20	2.60	2.11	1.95
652-2036-35-C2	L	350	350	20	2.59	2.00	1.72

NEW AT MOUSER

GDTs

Bourns

NEW AT MOUSER

NEW AT MOUSER