

AVX Ceramic Transient Voltage Varistors and Suppressors



150°C RADIAL LEADED HIGH TEMPERATURE AUTOMOTIVE MULTILAYER VARISTORS

Features:

- AEC Q200 Qualified
- ESD rated to 25kV (HBM ESD Level 6)
- EMI/RFI attenuation in off state
- Excellent current and energy handling



For quantities greater than listed, call for quote.

MOUSER STOCK NO.		Fig.	Working Voltage		Breakdown Voltage (V@ImADC)	Clamping Voltage (V@IVC)	Transient Energy Rating	Peak Current Rating	Max. Leakage Current	Jump Start	Cap.	Price Each			
Mfr.	Mfr. Part No.		DC	AC								1	100	500	1000
581	—VR15AT18A650R	A	18	13	41 ± 10%	67	0.1	30	10	29	90	.80	.43	.33	.30

AUTOMOTIVE STATICGUARD VARISTORS

The StaticGuard Automotive Series are low capacitance versions of the TransGuard and are designed for general ESD protection of CMOS, Bi-Polar, and SiGe based systems. The low capacitance makes these products suitable for use in high speed data transmission lines.



Size (EIA)	Dimensions: mm (in.)			
	Length (L)	Width (W)	Max. Thickness (T)	Land Length (t)/BL
0402	1.00±0.10(0.040±0.004)	0.50±0.10(0.020±0.004)	0.60(0.024)	0.25±0.15(0.010±0.006)
0603	1.60±0.15(0.063±0.006)	0.80±0.15(0.031±0.006)	1.60(0.063)	0.35±0.15(0.014±0.006)
0805	2.01±0.20(0.079±0.008)	1.25±0.20(0.049±0.008)	1.02(0.040)	0.71 max.(0.028 max.)
1206	3.20±0.20(0.126±0.008)	1.60±0.20(0.063±0.008)	1.02(0.040)	0.94 max.(0.037 max.)
1210	3.20±0.20(0.126±0.008)	2.49±0.20(0.098±0.008)	1.70(0.067)	0.14 max.(0.045 max.)

For quantities greater than listed, call for quote.

MOUSER STOCK NO.		Fig.	Case Size	Working Voltage		Clamping Voltage	Test Current for Vc	Max. Leakage Current	Transient Energy Rating	Peak Current Rating	Typ. Cap.	Price Each			Reel Qty.	Price Per Piece
Mfr.	Mfr. Part No.			DC	AC							1	100	500		
581	—VCAS04LC18V500WP	B	402	18	14	50	1	10	0.02	15	40	.57	.33	.226	10000	.126
581	—VCAS06LC18X500DP	B	603	18	14	50	1	10	0.05	30	50	.52	.30	.21	1000	.15
581	—VCAS08LC18A500DP	B	805	18	14	50	1	10	0.1	30	80	.60	.36	.26	1000	.16

AUTOMOTIVE ANTENNA GUARD VARISTORS

The AntennaGuard Automotive Series are ultra-low capacitance versions of the TransGuard and are designed for use in RF and other capacitive sensitive circuits. These low capacitance values have low insertion loss, low leakage current and unsurpassed reliability compared to diode options. All Automotive Series products from AVX are designed to the highest reliability and AEC Q200 qualified.



For quantities greater than listed, call for quote.

MOUSER STOCK NO.		Fig.	Case Size	Working Voltage		Max. Leakage Current	Typical Cap. Ip	Elements	Jump Start	Price Each			Reel Qty.	Price Per Piece
Mfr.	Mfr. Part No.			DC	AC					1	100	500		
581	—VCAS04AG183R0Y	B	402	18	14	0.1	3	1	27.5	.59	.35	.25	1000	.20
581	—VCAS06AG18120Y	B	603	18	14	0.1	3	1	27.5	.50	.29	.20	1000	.17
581	—VCAS06AG183R0Y	B	603	18	14	0.1	3	1	27.5	.50	.29	.20	1000	.17

TRANS GUARD AUTOMOTIVE SERIES - MULTILAYER VARISTORS

Features:

- High Reliability
- Bi-Directional protection
- High Current Handling
- AEC Q200 Qualified
- EMI/RFI attenuation
- Multi-strike capability
- Sub 1nS response to ESD strike
- High Energy Absorption (Load Dump)



For quantities greater than listed, call for quote.

MOUSER STOCK NO.		Fig.	Case Size	Working Voltage		VB	VC	Test Current for VC	ET	IP	Freq.	Cap. (pF)	Price Each			Reel Qty.	Price Per Piece
Mfr.	Mfr. Part No.			DC	AC								1	100	500		
581	—VCAS060316B400DP	B	0603	16	11	25.5±10%	42	1	0.2	30	K	150	.89	.515	.352	1000	.297
581	—VCAS060318A400DP	B	0603	18	13	25.5±10%	42	1	0.1	30	K	150	.89	.515	.352	1000	.297
581	—VCAS060326A580DP	B	0603	26	18	34.5±10%	60	1	0.1	30	K	155	.89	.515	.352	1000	.297
581	—VCAS060330A650DP	B	0603	30	21	41.0±10%	67	1	0.1	30	K	125	.89	.515	.352	1000	.297
581	—VCAS080518A400DP	B	0805	18	13	25.5±10%	42	1	0.1	30	K	225	.92	.53	.363	1000	.306
581	—VCAS080518C400DP	B	0805	18	13	25.5±10%	42	1	0.3	120	K	550	1.38	.796	.544	1000	.46
581	—VCAS080526A580DP	B	0805	26	18	34.5±10%	60	1	0.1	30	K	120	.92	.53	.363	1000	.306
581	—VCAS080526C580DP	B	0805	26	18	34.5±10%	60	1	0.3	100	K	250	1.38	.796	.544	1000	.46
581	—VCAS080530A650DP	B	0805	30	21	41.0±10%	67	1	0.1	30	M	90	.92	.53	.363	1000	.306
581	—VCAS080530C650DP	B	0805	30	21	41.0±10%	67	1	0.3	30	K	250	1.38	.796	.544	1000	.46
581	—VCAS080538C770DP	B	0805	38	30	47.0±10%	77	1	0.3	80	K	200	1.38	.796	.544	1000	.46
581	—VCAS120616K380DP	B	1206	16	11	22.0±10%	38	1	0.6	200	K	930	1.76	1.27	1.15	1000	.676
581	—VCAS120618A400DP	B	1206	18	13	25.5±10%	42	1	0.1	30	K	350	1.76	1.27	1.15	1000	.676
581	—VCAS120618D400DP	B	1206	18	13	25.5±10%	42	1	0.4	150	K	900	1.02	.78	.65	1000	.37
581	—VCAS120618E380DP	B	1206	18	13	22.0±10%	38	1	0.5	200	K	950	2.30	1.66	1.50	1000	.882
581	—VCAS120626D580DP	B	1206	26	18	34.5±10%	60	1	0.4	120	K	500	1.76	1.27	1.15	1000	.676
581	—VCAS120630D650DP	B	1206	30	21	41.0±10%	67	1	0.4	120	K	400	1.76	1.27	1.15	1000	.676
581	—VCAS120642L800DP	B	1206	42	32	51.0±10%	80	1	0.8	180	K	600	1.76	1.27	1.15	1000	.676
581	—VCAS120648D101DP	B	1206	48	34	62.0±10%	100	1	0.4	100	K	225	1.76	1.27	1.15	1000	.676
581	—VCAS120656F111DP	B	1206	56	40	68.0±10%	110	1	0.7	100	K	180	1.76	1.27	1.15	1000	.676
581	—VCAS121016J390DP	B	1210	16	11	25.5±10%	42	5	1.5	500	K	3100	1.05	.73	.66	1000	.52
581	—VCAS121018J390DP	B	1210	18	13	25.5±10%	42	5	1.5	500	K	3100	1.05	.73	.66	1000	.52
581	—VCAS121026H560DP	B	1210	26	18	34.5±10%	60	5	1.2	300	K	2150	1.05	.73	.66	1000	.52
581	—VCAS121030H620DP	B	1210	30	21	41.0±10%	67	5	1.2	280	K	1850	1.05	.73	.66	1000	.52
581	—VCAS121048H101DP	B	1210	48	34	62.0±10%	100	1	1.2	250	K	500	1.05	.73	.66	1000	.52
581	—VCAS121085S151DP	B	1210	85	60	100.0±10%	150	1	2.0	250	K	275	1.05	.73	.66	1000	.52

MULTILAYER BI-DIRECTIONAL TRANSIENT VOLTAGE SUPPRESSORS

The Controlled Capacitance TransGuard is an application specific bi-directional transient voltage suppressor developed for use in mixed signal environments. The Controlled Cap MLV has three purposes: 1) Reduce emissions from a high speed ASIC, 2) prevent induced E fields from conducting into the IC, and 3) clamp transient voltages.

For quantities greater than listed, call for quote.

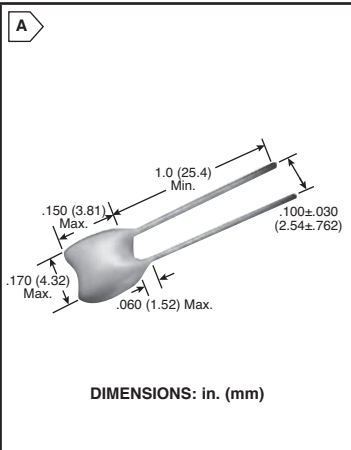
MOUSER STOCK NO.		Fig.	Case Size	Working Voltage		Breakdown Voltage (V@ImADC)	Clamping Voltage (V@IVC)	Max. Leakage Current	Transient Energy Rating	Peak Current Rating	Typical Cap. (pF)	Cap. Tol.	Price Each			Reel Qty.	Price Per Piece
Mfr.	Mfr. Part No.			DC	AC								1	100	500		
581	—VCAC060322A47NRP	C	0603	22	17	32.5±25%	50	10	0.1	30	47	30%	.30	.21	.172	4000	.129
581	—VCAC060326C82MRP	C	0603	26	20	36.0±15%	67	10	0.3	30	82	20%	.30	.213	.174	4000	.131

STATICGUARD SERIES MULTILAYER CERAMIC TRANSIENT VOLTAGE SUPPRESSORS

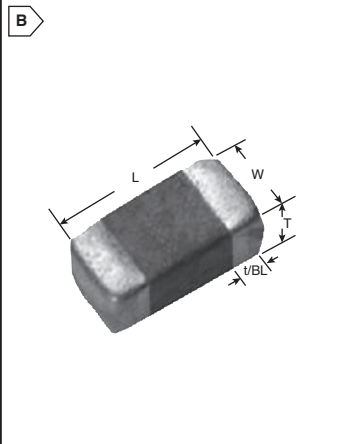
The StaticGuard MLV Transient Voltage Suppressors provide ESD protection for CMOS, Bi Polar and SiGe based systems. Typical ESD failure voltage for CMOS and/or Bi Polar is a 200V.15kV ESD pulse (air discharge) per IEC 1000-4-2, Level 4, generates < 20 millijoules of energy. The AVX StaticGuard MLV Transient Voltage Suppressors offer low capacitance (<200pF) for high-speed data transmission and offer low leakage current (IL) for battery operated equipment.

For quantities greater than listed, call for quote.

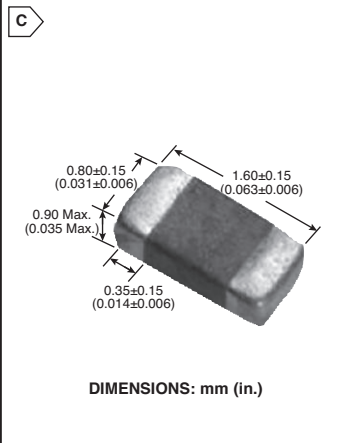
MOUSER STOCK NO.		Fig.	Case Size	Working Voltage		Clamping Voltage (V@IVC)	Test Current for Vc	Max. Leakage Current	Transient Energy Rating	Peak Current Rating	Typical Cap. (pF)	Elements	Price Each			Reel Qty.	Price Per Piece
Mfr.	Mfr. Part No.			DC	AC								1	100	500		
VC Series																	
581	—VC12LC18A500RP	D	1206	18	14	50	1	10	10	30	200	1	.37	.26	.248	4000	.209
VA Series																	
581	—VA10LC18A500DL	D	Axial	18	14	50	1	10	10	30	200	1	.33	.27	.26	1000	.249
581	—VA10LC18A500RL	D	Axial	18	14	50	1	10	10	30	200	1	.33	.27	.26	3000	.234



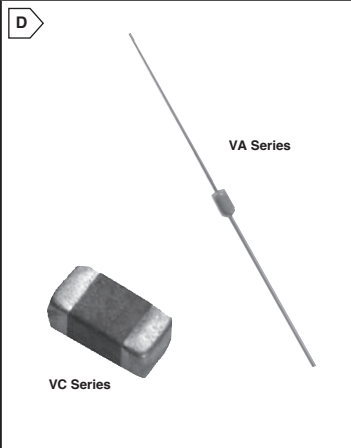
DIMENSIONS: in. (mm)



DIMENSIONS: mm (in.)



DIMENSIONS: mm (in.)



VC Series