

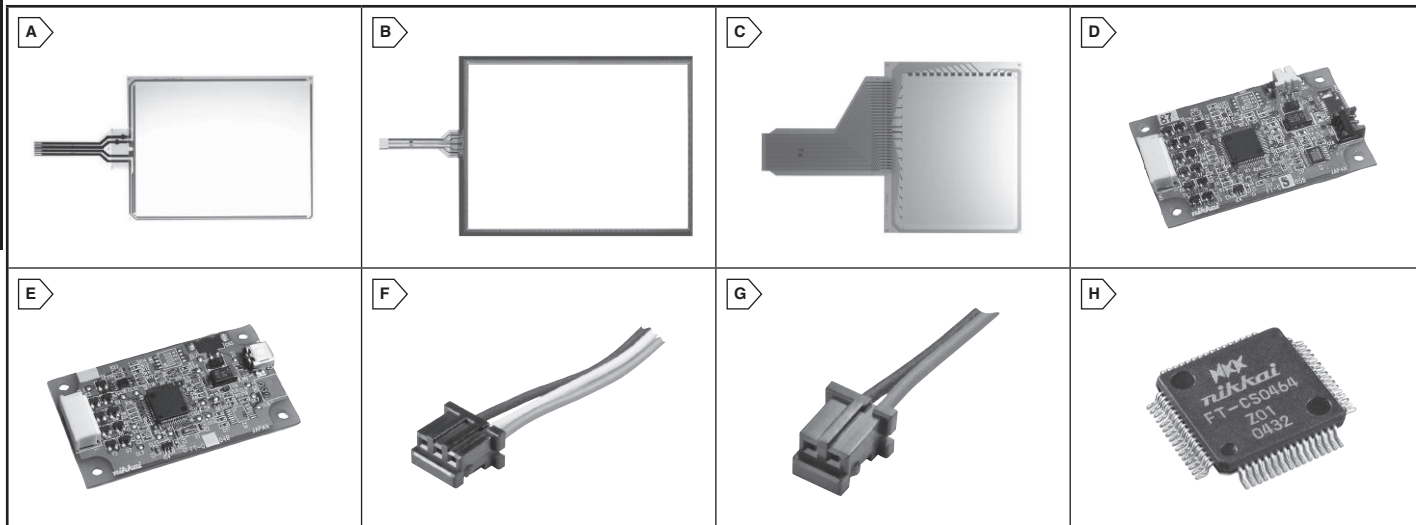
NKK SWITCHES Touch Screens

RoHS Compliant This product is RoHS compliant.



Displays

NKK Switches



SERIES FT RESISTIVE TOUCH SCREENS 5 WIRE, 4 WIRE AND DIGITAL SOLUTIONS

Additional benefits of NKK's 5-wire touch screens include:

- Screens highly resistant to static electricity and noise pollution
- Drift-free operation despite any temperature fluctuation
- Greater touch point density translating to more precision and reduction of false actuations
- Quicker response time

Applications:

- Information Kiosks
- Industrial Automation
- Banking, Exchange Management Systems
- Broadcast
- Office Automation
- Medical Equipment
- Hand-held Devices
- Hospitality and Restaurant
- Gaming

Distinctive Characteristics:

- Wide Range of Available Sizes
- Custom Solutions a Specialty
- Digital and Analog Solutions
- Controllers Available
- Anti-Newton Ring (ANR) Technology
- Design Minimizes Visual Artifacts
- RoHS Compliant

Resistive Touch Screens

For quantities greater than listed, call for quote.

MOUSER STOCK NO.	NKK Part No.	Fig.	Screen Size in Inches	Input Method	Panel Thickness	Price Each		
						1	25	50
4 Wire Touch Screens								
633-FTAS00-57AS4	FTAS00-57AS4	A	5.7	Finger, Gloved Finger or Stylus	.055" (1.4mm)	35.75	32.29	31.67
633-FTAS00-65AS4	FTAS00-65AS4	A	6.5	Finger, Gloved Finger or Stylus	.055" (1.4mm)	41.50	39.10	38.15
633-FTAS00-84AS4	FTAS00-84AS4	A	8.4	Finger, Gloved Finger or Stylus	.083" (2.1mm)	65.59	52.39	48.99
633-FTAS00-104AS4	FTAS00-104AS4	A	10.4	Finger, Gloved Finger or Stylus	.083" (2.1mm)	81.59	68.11	63.96
633-FTAS00-104AV4	FTAS00-104AV4	A	10.4	Finger, Gloved Finger or Stylus	.083" (2.1mm)	81.59	68.11	63.96
633-FTAS00-121AS4	FTAS00-121AS4	B	12.1	Finger, Gloved Finger or Stylus	.083" (2.1mm)	97.66	82.45	78.38
633-FTAS00-121A4	FTAS00-121A4	B	12.1	Finger, Gloved Finger or Stylus	.083" (2.1mm)	97.66	82.45	78.38
633-FTAS00-150A4	FTAS00-150A4	B	15	Finger, Gloved Finger or Stylus	.083" (2.1mm)	131.85	118.67	111.25
5 Wire Touch Screens								
633-FTAS00-104A5	FTAS00-104A5	A	10.4	Finger, Gloved Finger or Stylus	.083" (2.1mm)	79.95	71.12	70.69
633-FTAS00-121A5	FTAS00-121A5	A	12.1	Finger, Gloved Finger or Stylus	.083" (2.1mm)	96.44	85.79	85.28
633-FTAS00-150A5	FTAS00-150A5	A	15	Finger, Gloved Finger or Stylus	.083" (2.1mm)	140.74	123.15	119.42

Digital Touch Screen

For quantities greater than listed, call for quote.

MOUSER STOCK NO.	NKK Part No.	Fig.	Screen Size in Inches	Input Method	Panel Thickness	Price Each		
						1	25	50
633-FTAS225-57AN	FTAS225-57AN	C	5.7	Finger	.083" (2.1mm)	41.49	39.10	38.15

LCD Touch Panel Control Board

Distinctive Characteristics:

- Interface: USB and RS232C
- High Speed and Accuracy
- Built-in Calibration Function
- Data Function Removal Built In to Eliminate Noise
- High Quality and Reliability
- Easy Integration Replacing Mouse Functionality
- Compatible with Control Board USB/RS232C
- Device Driver Compatible with Vista and Windows XP Operating Systems

For quantities greater than listed, call for quote.

MOUSER STOCK NO.	NKK Part No.	Fig.	Type	Controller Brd For	Price Each		
					1	25	50
633-FTCU05B	FTCU05B	D	5 Wire	RS232C	69.92	66.79	65.54
633-FTCU04B	FTCU04B	D	4 Wire	RS232C	87.39	69.92	67.65
633-FTCS04B	FTCS04B	E	4 Wire	USB	63.84	57.00	55.61

IC & Accessories

Distinctive Characteristics:

- AT713 Receptacle Connector
This Receptacle Connector with code connects to RS232C communication of the controller boards.
- AT714 is a Receptacle Connector with code to connect to power source of the control boards
- The IC is for use with the 5- and 4-wire transparent touch screens, and is available for those who prefer to design their own controller boards. When the screen is touched, it recognizes the position of the touch by the level of analog voltage detected by the A/D.
- The A/D converter receives the value and sends a set of coordinate values as serial data or US

For quantities greater than listed, call for quote.

MOUSER STOCK NO.	NKK Part No.	Fig.	IC and Accessories	Price Each		
				1	25	50
633-AT713	AT713	F	Receptacle Connector	11.43	8.89	8.32
633-AT714	AT714	G	Receptacle Connector	10.00	7.78	7.28
633-FTCSU564	FTCSU564	H	Controller Chip	26.29	24.19	23.74