

ON SEMICONDUCTOR Transistors

ON Semiconductor®



This product is RoHS compliant.

Transistors

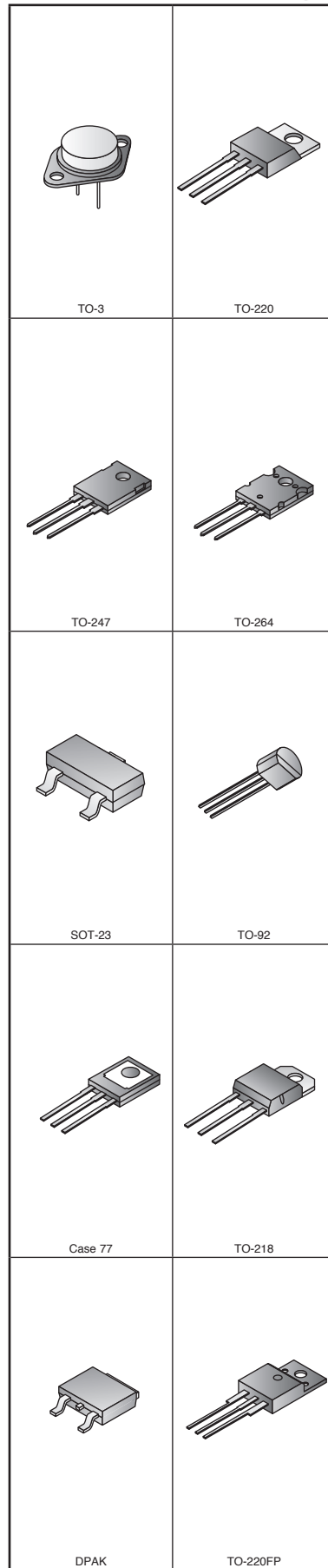
ON Semiconductor

ON SEMICONDUCTOR GENERAL PURPOSE BIPOLAR TRANSISTORS (CONT.)

◆ Surface Mount Device

For quantities greater than listed, call for quote.

MOUSER STOCK NO.	ON Semi Part No.	Package	VCEO Max (V)	IC Max (A)	hFE		Price Each			
					Min	Max	1	25	100	500
PNP (Cont.)										
◆ 863-MPSW51AG	MPSW51AG	TO-92	-40	-1	55	-	.31	.235	.156	.128
◆ 863-NJT4030PT1G	NJT4030PT1G	SOT-223	-40	-3	200	400	.46	.372	.266	.221
863-TIP42G	TIP42G	TO-220	-40	-6	15	75	.39	.387	.33	.32
◆ 863-BC307BRL1G	BC307BRL1G	TO-92	-45	-0.1	200	460	.31	.13	.106	.081
◆ 863-BC857BLT1G	BC857BLT1G	SOT-23	-45	-0.1	220	475	.15	.111	.046	.035
863-BC557CG	BC557CG	TO-92	-45	-0.1	420	800	.11	.10	.076	.06
◆ 863-BC807-16LT1G	BC807-16LT1G	SOT-23	-45	-0.5	100	250	.16	.116	.05	.039
◆ 863-BCX17LT1G	BCX17LT1G	SOT-23	-45	-0.5	100	600	.19	.17	.084	.066
◆ 863-BC807-25LT1G	BC807-25LT1G	SOT-23	-45	-0.5	160	400	.15	.116	.048	.037
◆ 863-BC807-40LT1G	BC807-40LT1G	SOT-23	-45	-0.5	250	600	.22	.115	.069	.046
◆ 863-2SA1774G	2SA1774G	SC-75	-50	-0.1	120	560	.06	.05	.043	.035
863-2N6109G	2N6109G	TO-220	-50	-7	30	150	.81	.744	.503	.428
◆ 863-MMBTA55LT1G	MMBTA55LT1G	SOT-23	-60	-0.5	100	-	.23	.143	.072	.056
863-MPSA55RLRAG	MPSA55RLRAG	TO-92	-60	-0.5	100	-	.33	.22	.099	.077
◆ 863-MMBT2907ALT1G	MMBT2907ALT1G	SOT-23	-60	-0.6	50	300	.21	.105	.061	.043
◆ 863-MMBT2907AWT1G	MMBT2907AWT1G	SC-70	-60	-0.6	50	-	.27	.11	.076	.054
863-MPS2907AG	MPS2907AG	TO-92	-60	-0.6	100	300	.29	.15	.087	.068
◆ 863-PZT2907AT1G	PZT2907AT1G	SOT-223	-60	-0.6	100	300	.16	.153	.148	.127
863-MPS751RLRAG	MPS751RLRAG	TO-92	-60	-2	40	-	.34	.23	.163	.132
863-TIP32AG	TIP32AG	TO-220	-60	-3	10	50	.50	.458	.331	.278
◆ 863-MJD2955G	MJD2955G	DPAK	-60	-10	20	100	.74	.647	.456	.383
863-MJE2955TG	MJE2955TG	TO-220	-60	-10	20	100	.84	.773	.526	.447
863-TIP2955G	TIP2955G	TO-218	-60	-15	20	70	1.57	1.42	1.14	.92
◆ 863-BC856ALT1G	BC856ALT1G	SOT-23	-65	-0.1	125	250	.06	.053	.043	.035
◆ 863-BC856BLT1G	BC856BLT1G	SOT-23	-65	-0.1	220	475	.06	.054	.043	.035
863-2N6107G	2N6107G	TO-220	-70	-7	30	150	.80	.662	.504	.428
◆ 863-MPSW56RLRPG	MPSW56RLRPG	TO-92	-80	-0.5	50	-	.22	.207	.166	.135
◆ 863-MMBTA56LT1G	MMBTA56LT1G	SOT-23	-80	-0.5	100	-	.23	.123	.072	.056
863-MJE172G	MJE172G	Case 77	-80	-3	50	250	.49	.414	.292	.245
863-2N5195G	2N5195G	Case 77	-80	-4	20	80	.63	.551	.389	.327
◆ 863-MJD45H11G	MJD45H11G	DPAK	-80	-8	60	-	.61	.536	.379	.318
863-D45H11G	D45H11G	TO-220	-80	-10	40	-	.98	.809	.613	.521
863-MJF45H11G	MJF45H11G	TO-220FP	-80	-10	40	-	1.62	1.40	1.02	.881
863-2N6491G	2N6491G	TO-220	-80	-15	20	150	.92	.846	.578	.492
863-D45VH10G	D45VH10G	TO-220	-80	-15	20	-	.98	.809	.613	.521
863-TIP30CG	TIP30CG	TO-220	-100	-1	15	75	.54	.45	.318	.267
◆ 863-MJD32CG	MJD32CG	DPAK	-100	-3	10	50	.50	.423	.299	.25
863-TIP32CG	TIP32CG	TO-220	-100	-3	10	50	.48	.439	.318	.267
863-MJE253G	MJE253G	Case77	-100	-4	40	180	.53	.441	.329	.275
863-TIP42CG	TIP42CG	TO-220	-100	-6	15	75	.66	.604	.437	.367
863-2N5401G	2N5401G	TO-92	-150	-0.6	60	240	.12	.109	.087	.071
863-MJF15031G	MJF15031G	TO-220FP	-150	-8	40	-	1.63	1.40	1.02	.881
◆ 863-MMBTA92LT1G	MMBTA92LT1G	SOT-23	-300	-0.05	25	-	.11	.097	.089	.074
◆ 863-PZTA92T1G	PZTA92T1G	SOT-223	-300	-0.05	25	-	.22	.202	.157	.129
863-MPSA92G	MPSA92G	TO-92	-300	-0.5	25	-	.14	.128	.102	.084
863-MJE5730G	MJE5730G	TO-220	-300	-1	30	150	1.17	1.05	.788	.67
863-MJE5850G	MJE5850G	TO-220	-300	-8	15	-	2.56	2.30	1.78	1.53
◆ 863-MMBT6520LT1G	MMBT6520LT1G	SOT-23	-350	-0.5	20	200	.35	.22	.134	.108
863-MJE5851G	MJE5851G	TO-220	-350	-8	15	-	2.56	2.37	1.78	1.53
863-MJE5852G	MJE5852G	TO-220	-400	-8	15	-	2.70	2.30	1.78	1.53
Complementary										
◆ 863-MBT3904DW1T1G	MBT3904DW1T1G	SOT-363	40/40	0.2/2	100/100	300/300	.31	.149	.106	.081
◆ 863-MBT3946DW1T1G	MBT3946DW1T1G	SOT-363	40/-40	0.2/-0.2	100/100	300/300	.29	.213	.087	.06
◆ 863-BC847BDW1T1G	BC847BDW1T1G	SOT-363	45/45	0.1/0.1	200/200	450/450	.31	.149	.106	.081
◆ 863-NST45010MW6T1G	NST45010MW6T1G	SOT-363	-45/-45	-0.1/-0.1	220/220	475/475	.24	.23	.222	.198
◆ 863-BC847BPDW1T1G	BC847BPDW1T1G	SOT-363	50/-50	0.1/-0.1	200/200	475/475	.32	.22	.096	.075



ON SEMICONDUCTOR HIGH-POWER BIPOLAR TRANSISTORS

For quantities greater than listed, call for quote.

MOUSER STOCK NO.	ON Semi Part No.	Package	VCEO Max (V)	IC Max (A)	hFE		Price Each			
					Min	Max	1	25	100	500
NPN										
863-2N3055AG	2N3055AG	TO-3	60	15	10	70	2.57	2.06	1.83	1.60
863-2N3772G	2N3772G	TO-3	60	20	15	60	3.88	3.18	2.88	2.58
863-2N5885G	2N5885G	TO-3	60	25	20	100	3.51	2.87	2.59	2.33
863-2N5302G	2N5302G	TO-3	60	30	15	60	3.51	2.87	2.59	2.33
863-2N5886G	2N5886G	TO-3	80	25	20	100	3.51	2.87	2.59	2.33
863-MJ802G	MJ802G	TO-3	90	30	25	100	3.51	2.87	2.59	2.33
863-TIP33CG	TIP33CG	TO-218	100	10	20	100	1.73	1.41	1.24	1.08
863-TIP35CG	TIP35CG	TO-218	100	25	15	75	2.60	2.23	1.86	1.63
863-2N3442G	2N3442G	TO-3	140	10	20	70	2.57	2.06	1.83	1.60
863-MJE4343G	MJE4343G	TO-218	160	16	15	-	3.41	2.80	2.52	2.26
PNP										
863-2N5883G	2N5883G	TO-3	-60	-25	20	100	3.37	3.15	2.49	1.95
863-2N5884G	2N5884G	TO-3	-80	-25	20	100	3.55	3.11	2.34	2.02
863-2N5684G	2N5684G	TO-3	-80	-50	15	60	7.65	6.50	5.55	4.76
863-TIP36CG	TIP36CG	TO-218	-100	-25	15	75	2.71	2.12	1.69	1.47

