

STMICROELECTRONICS Rectifiers

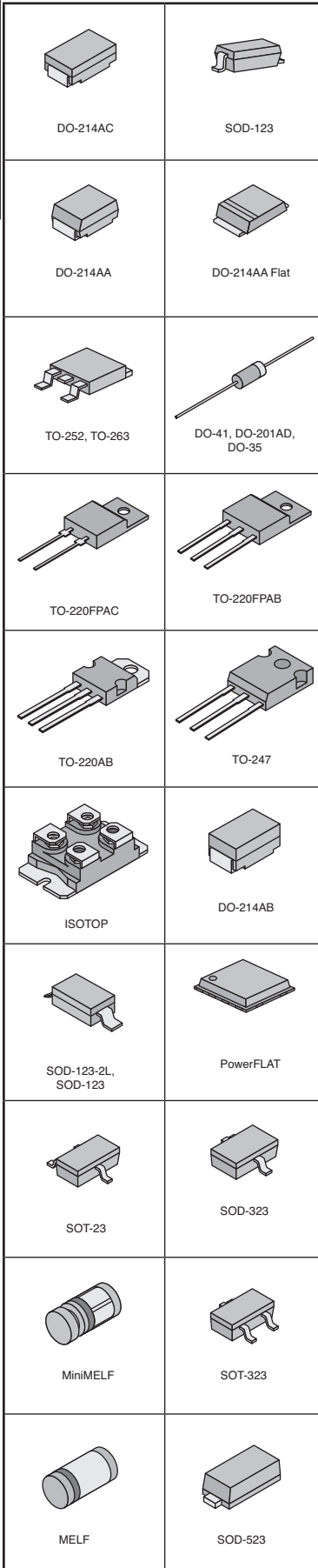
Products may be RoHS compliant.
Check mouser.com for RoHS status.

Life Augmented

Surface Mount Device
For quantities greater than listed, call for quote.

Diodes & Rectifiers

STMicroelectronics



POWER SCHOTTKY RECTIFIERS (CONT.)

PRODUCT NEW

MOUSER STOCK NO.		Case Type	V _R MAX. (V)	I _{F(AV)} Typ. (A)	V _F @ I _F Typ./Max. (V)	T _J Max. (C)	I _{FSM} Max. (A)	Price Each			
Mfr.	Mfr. Part No.							1	10	100	250
◆	511-STPS40SM80CG-TR	D2PAK	80	2x20	0.65/1.0	175	200	2.78	2.51	2.18	2.04
◆	511-STPS40SM80CR	I2PAK	80	2x20	0.65/1.0	175	200	2.71	2.53	2.14	2.00
◆	511-STPS40SM80CT	TO-220AB	80	2x20	0.65/1.0	175	200	2.30	2.15	1.82	1.72
◆	511-STPS1H100A	DO-214AC	100	1.0	0.58/0.62	175	50	.21	.18	.16	.14
◆	511-STPS1H100AF	DO-214AC	100	1.0	0.58/0.62	175	50	.19	.173	.15	.14
◆	511-STPS1H100AY	DO-214AC	100	1.0	0.58/0.62	175	50	.29	.26	.25	.23
◆	511-STPS1H100U	DO-214AA	100	1.0	0.58/0.62	175	50	.29	.26	.24	.18
◆	511-STPS2H100A	DO-214AC	100	2.0	0.60/0.65	175	75	.53	.47	.41	.39
◆	511-STPS2H100AY	DO-214AC	100	2.0	0.60/0.65	175	75	.67	.63	.46	.40
◆	511-STPS2H100U	DO-214AA	100	2.0	0.60/0.65	175	75	.59	.52	.45	.43
◆	511-STPS2H100UY	DO-214AA	100	2.0	0.60/0.65	175	75	.26	.24	.208	.195
◆	511-STPS3H100UF	SMBFlat	100	3.0	---/0.84	175	75	.57	.45	.307	.254
◆	511-STPS3H100U	DO-214AA	100	3.0	0.63/0.68	175	75	.24	.223	.193	.181
◆	511-STPS5H100B	TO-252	100	5.0	0.57/0.61	175	75	1.46	1.20	.95	.87
◆	511-STPS5H100B-TR	TO-252	100	5.0	0.57/0.61	175	75	1.02	.90	.72	.69
◆	511-STPS8H100D	TO-220AB	100	8.0	0.56/0.58	175	250	1.02	.95	.80	.77
◆	511-STPS15H100CB	TO-252	100	2x7.5	0.62/0.67	175	75	.77	.72	.61	.59
◆	511-STPS15H100CB-TR	TO-252	100	2x7.5	0.62/0.67	175	75	.77	.72	.61	.59
◆	511-STPS20S100CT	TO-220AB	100	2x10	0.57/0.61	175	180	.68	.617	.535	.501
◆	511-STPS20H100CG-TR	TO-263	100	2x10	0.59/0.64	175	250	1.21	1.07	.92	.88
◆	511-STPS20H100CT	TO-220AB	100	2x10	0.59/0.64	175	250	1.72	1.55	1.27	1.13
◆	511-STPS30100ST	TO-220AB	100	30.0	0.385/---	150	300	1.43	1.28	1.12	1.00
◆	511-STPS30M100DJF-TR	PowerFLAT	100	30.0	0.58/0.66	150	200	2.94	2.52	2.05	1.84
◆	511-STPS30H100CW	TO-247	100	2x15	0.64/0.67	175	250	1.84	1.62	1.40	1.28
◆	511-STPS61H100CW	TO-247	100	2x30	0.63/0.67	175	450	2.91	2.74	2.25	1.97
◆	511-STPS80H100TV	ISOTOP	100	2x40	0.61/0.65	150	700	22.16	20.72	18.56	17.54
◆	511-STPS20M120SR	I2PAK	120	20	0.47/0.52	150	240	1.71	1.54	1.43	1.20
◆	511-STPS20SM120SR	I2PAK	120	20	0.49/0.54	150	220	1.44	1.30	1.20	1.01
◆	511-STPS30M120SR	I2PAK	120	30	0.45/0.50	150	260	2.22	2.00	1.85	1.56
◆	511-STPS30SM120SR	I2PAK	120	30	0.47/0.52	150	240	1.98	1.79	1.65	1.39
◆	511-STPS20120D	TO-220AB	120	20.0	0.54/0.58	175	200	.95	.89	.71	.63
◆	511-STPS30L120CR	I2PAK	120	2x15	0.57/0.51	150	220	1.12	1.01	.88	.825
◆	511-STPS40120CT	TO-220AB	120	2x20	0.57/0.61	175	200	1.78	1.61	1.43	1.32
◆	511-STPS40M120CR	I2PAK	120	2x20A	0.44/0.49	150	220	1.44	1.30	1.20	1.01
◆	511-STPS40M120CT	TO-220AB	120	2x20A	0.44/0.49	150	220	3.54	3.19	2.95	2.48
◆	511-STPS40SM120CR	I2PAK	120	2x20A	0.46/0.51	150	210	3.30	2.97	2.75	2.31
◆	511-STPS40SM120CT	TO-220AB	120	2x20A	0.46/0.51	150	210	3.12	2.81	2.60	2.19
◆	511-STPS1150	DO-41	150	1.0	0.62/0.67	175	75	.15	.138	.12	.112
◆	511-STPS1150A	DO-214AC	150	1.0	0.62/0.67	175	50	.61	.47	.34	.31
◆	511-STPS2150	DO-15	150	2.0	0.62/0.67	175	150	.29	.26	.25	.23
◆	511-STPS2150A	DO-214AC	150	2.0	0.62/0.67	175	75	.29	.26	.24	.18
◆	511-STPS3150RL	DO-201AD	150	3.0	0.63/0.67	175	100	.26	.23	.20	.19
◆	511-STPS3150U	DO-214AA	150	3.0	0.63/0.67	175	100	.32	.298	.258	.242
◆	511-STPS3150UF	DO-214AA Flat	150	3.0	0.63/0.67	175	100	.37	.33	.29	.275
◆	511-STPS10150CFP	TO-220FPAB	150	2x5	0.69/0.75	175	120	1.19	1.07	.90	.82
◆	511-STPS20150CFP	TO-220FPAB	150	2x10	0.69/0.75	150	180	1.24	1.15	.97	.90
◆	511-STPS61150CW	TO-247	150	2x30	0.63/0.67	175	500	3.09	2.99	2.73	2.49
◆	511-STPS30170DJF-TR	PowerFLAT	170	30.0	0.65/0.70	150	200	3.42	2.93	2.39	2.14
◆	511-STPS10170CB-TR	DPAK	170	2x5	0.69/0.75	175	75	1.92	1.55	1.40	1.24
◆	511-STPS40170CT	TO-220AB	170	2x20	0.69/0.75	175	250	2.23	2.04	1.77	1.64
◆	511-STPS80170CW	TO-247	170	2x40	0.68/0.74	175	500	4.57	4.07	3.34	3.01
◆	511-STPSC806G-TR	D2PAK	600	8.0	1.4/1.7	175	30	16.70	14.04	12.90	11.76

POWER SCHOTTKY SILICON CARBIDE DIODES

PRODUCT NEW

Mfr.	Mfr. Part No.	Case Type	V _R MAX. (V)	I _{F(AV)} Typ. (A)	V _F @ I _F Typ./Max. (V)	T _J Max. (C)	I _{FSM} Max. (A)	Price Each			
								1	10	100	250
◆	511-STPSC2006CW	TO-247	600	2x10	1.4/1.7	175	40	17.16	16.64	14.18	13.31
◆	511-STPSC406B-TR	TO-252	600	4.0	1.55/1.9	175	250	5.20	4.69	4.06	3.89
◆	511-STPSC1006G-TR	TO-263	600	10.0	1.4/1.7	175	160	20.79	17.48	16.06	14.64

SMALL SIGNAL SCHOTTKY RECTIFIERS

For quantities greater than listed, call for quote.

Mfr.	Mfr. Part No.	Case Type	V _R MAX. (V)	I _{F(AV)} Typ. (A)	V _F @ I _F Typ./Max. (V)	T _J Max. (C)	I _{FSM} Max. (A)	Price Each			
								1	10	100	250
◆	511-BAT60JFILM	SOD-323	10	3.0	0.53/0.58	150	5	.14	.12	.104	.099
◆	511-BAT20JFILM	SOD-323	23	1.0	0.54/0.62	150	5	.13	.115	.10	.095
◆	511-BAR42FILM	SOT-23	30	0.1	0.35/0.40	150	0.75	.09	.08	.077	.071
◆	511-BAR43AFILM	SOT-23	30	0.1	---/0.33	150	0.75	.08	.075	.072	.066
◆	511-BAR43CFILM	SOT-23	30	0.1	---/0.33	150	0.75	.08	.075	.072	.066
◆	511-BAR43SFILM	SOT-23	30	0.1	---/0.33	150	0.75	.26	.167	.153	.129
◆	511-BAT42	DO-35	30	0.2	---/1.00	125	4	.13	.12	.10	.095
◆	511-BAT43	DO-35	30	0.2	---/1.00	125	4	.13	.12	.10	.095
◆	511-TMMBAT42FILM	MiniMELF	30	0.2	---/1.00	125	4	.14	.12	.104	.097
◆	511-TMMBAT43FILM	MiniMELF	30	0.2	---/1.00	125	4	.14	.12	.104	.097
◆	511-BAT30CWFILM	SOT-323	30	0.3	0.53/---	150	1	.40	.28	.16	.12
◆	511-BAT30WFILM	SOT-323	30	0.3	0.53/---	150	1	.40	.28	.16	.12
◆	511-BAT30KFILM	SOD-323	30	0.3	0.53/---	150	1	.14	.12	.104	.099
◆	511-BAT54FILM	SOT-23	40	0.3	---/0.90	150	1	.29	.185	.17	.14
◆	511-BAT54AFILM	SOT-23	40	0.3	---/0.90	150	1	.29	.185	.17	.14
◆	511-BAT54CFILM	SOT-23	40	0.3	---/0.90	150	1	.16	.102	.094	.08
◆	511-BAT54JFILM	SOD-323	40	0.3	---/0.90	150	1	.29	.185	.17	.14
◆	511-BAT54KFILM	SOD-523	40	0.3	---/0.90	150	1	.14	.12	.104	.099
◆	511-BAT54SFILM	SOT-23	40	0.3	---/0.90	150	1	.16	.102	.094	.08
◆	511-BAT48	DO-35	40	0.35	---/0.5	125	7.5	.13	.12	.10	.095
◆	511-BAT48JFILM	SOD-323	40	0.35	---/0.50	150	2	.54	.38	.24	.183
◆	511-BAT48ZFILM	SOD-123	40	0.35	---/0.50	150	2	.13	.12	.10	.095
◆	511-TMMBAT48FILM	MiniMELF	40	0.35	---/0.25	125	7.5	.19	.17	.16	.15
◆	511-TMBYV10-40FILM	MELF	40	1.0	---/0.50	150	25	.27	.23	.20	.185
◆	511-IN6263	DO-35	60	0.015	---/0.41	200	50	.11	.10	.095	.09
◆	511-TMBYV10-60FILM	MELF	60	1.0	---/0.70	125	20	.27	.23	.20	.185
◆	511-IN5711	DO-35	70	0.015	---/0.41	200	-----	.11	.10	.095	.09
◆	511-BAR18FILM	SOT-23	70	0.07	---/0.41	150	-----	.32	.20	.18	.14
◆	511-BAS70-04FILM	SOT-23	70	0.07	---/0.41	150	1	.08	.072	.069	.064
◆	511-BAS70-05FILM	SOT-23	70	0.07	---/0.41	150	1	.29	.185	.17	.14
◆	511-BAS70JFILM	SOD-323	70	0.07	---/0.25						