

ON SEMICONDUCTOR Zener Diodes

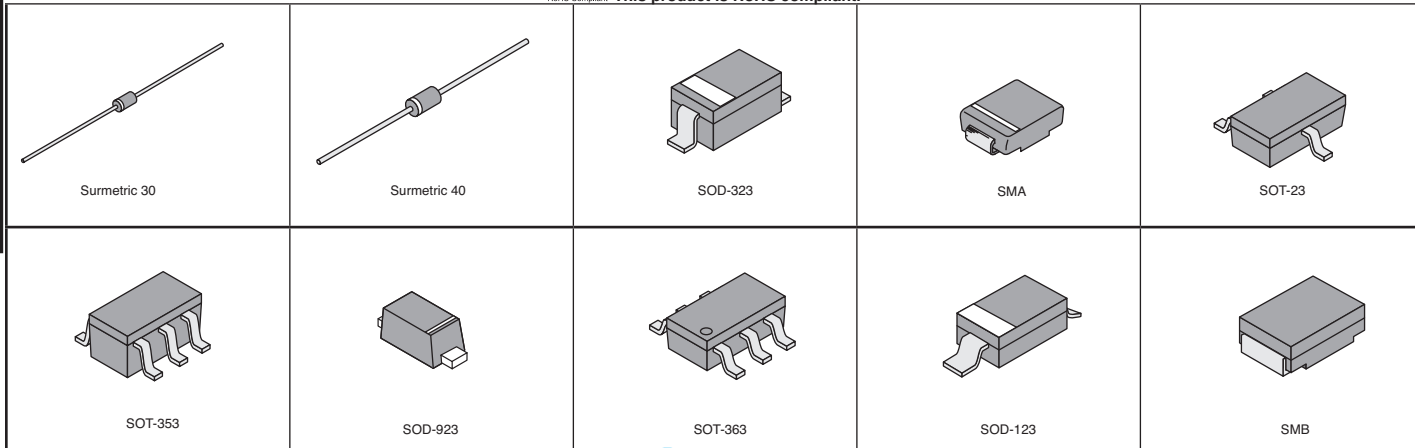
ON Semiconductor®



RoHS Compliant This product is RoHS compliant.

Diodes & Rectifiers

ON Semiconductor



ON SEMICONDUCTOR ZENER DIODES

For quantities greater than listed, call for quote.

RoHS Compliant

For quantities greater than listed, call for quote.

MOUSER STOCK NO.	ON Semi Part No.	Package	P Max (W)	VZ Typ. (V)	Price Each			
					1	25	100	500
Axial Lead								
863-1N5920BG	1N5920BG	Surmetic 30	3	6.2	.35	.25	.176	.145
863-1N5929BG	1N5929BG	Surmetic 30	3	15	.37	.27	.19	.156
863-1N5934BG	1N5934BG	Surmetic 30	3	24	.37	.27	.19	.156
863-1N5953BG	1N5953BG	Surmetic 30	3	150	.37	.27	.19	.156
863-1N5956BG	1N5956BG	Surmetic 30	3	200	.37	.21	.19	.156
863-1N5333BG	1N5333BG	Surmetic 40	5	3.3	.36	.27	.21	.175
863-1N5335BG	1N5335BG	Surmetic 40	5	3.9	.36	.27	.21	.175
863-1N5337BG	1N5337BG	Surmetic 40	5	4.7	.36	.27	.21	.175
863-1N5338BG	1N5338BG	Surmetic 40	5	5.1	.36	.27	.21	.175
863-1N5339BG	1N5339BG	Surmetic 40	5	5.6	.36	.27	.21	.175
863-1N5340BG	1N5340BG	Surmetic 40	5	6	.36	.27	.21	.175
863-1N5341BG	1N5341BG	Surmetic 40	5	6.2	.36	.27	.21	.175
863-1N5342BG	1N5342BG	Surmetic 40	5	6.8	.36	.27	.21	.175
863-1N5343BG	1N5343BG	Surmetic 40	5	7.5	.36	.27	.21	.175
863-1N5344BG	1N5344BG	Surmetic 40	5	8.2	.36	.27	.21	.175
863-1N5346BG	1N5346BG	Surmetic 40	5	9.1	.36	.27	.21	.175
863-1N5347BG	1N5347BG	Surmetic 40	5	10	.36	.27	.21	.175
863-1N5348BG	1N5348BG	Surmetic 40	5	11	.36	.27	.21	.175
863-1N5349BG	1N5349BG	Surmetic 40	5	12	.36	.27	.21	.175
863-1N5350BG	1N5350BG	Surmetic 40	5	13	.36	.27	.21	.175
863-1N5351BG	1N5351BG	Surmetic 40	5	14	.36	.27	.21	.175
863-1N5352BG	1N5352BG	Surmetic 40	5	15	.36	.27	.21	.175
863-1N5353BG	1N5353BG	Surmetic 40	5	16	.36	.27	.21	.175
863-1N5355BG	1N5355BG	Surmetic 40	5	18	.36	.27	.21	.175
863-1N5357BG	1N5357BG	Surmetic 40	5	20	.36	.27	.21	.175
863-1N5358BG	1N5358BG	Surmetic 40	5	22	.36	.27	.21	.175
863-1N5359BG	1N5359BG	Surmetic 40	5	24	.36	.27	.21	.175
863-1N5360BG	1N5360BG	Surmetic 40	5	25	.36	.27	.21	.175
863-1N5361BG	1N5361BG	Surmetic 40	5	27	.36	.27	.21	.175
863-1N5362BG	1N5362BG	Surmetic 40	5	28	.36	.27	.21	.175
863-1N5363BG	1N5363BG	Surmetic 40	5	30	.36	.27	.21	.175
863-1N5364BG	1N5364BG	Surmetic 40	5	33	.36	.27	.21	.175
863-1N5365BG	1N5365BG	Surmetic 40	5	36	.36	.27	.21	.175
863-1N5366BG	1N5366BG	Surmetic 40	5	39	.36	.27	.21	.175
863-1N5368BG	1N5368BG	Surmetic 40	5	47	.36	.27	.21	.175
863-1N5373BG	1N5373BG	Surmetic 40	5	68	.36	.27	.21	.175
863-1N5374BG	1N5374BG	Surmetic 40	5	75	.36	.27	.21	.175
863-1N5378BG	1N5378BG	Surmetic 40	5	100	.36	.27	.21	.175
863-1N5384BG	1N5384BG	Surmetic 40	5	160	.36	.27	.21	.175
863-1N5386BG	1N5386BG	Surmetic 40	5	180	.36	.27	.21	.175
Surface Mount								
863-MM3Z12VT1G	MM3Z12VT1G	SOD-323	0.2	12	.16	.121	.05	.039
863-NZ9F3V3ST5G	NZ9F3V3ST5G	SOD-923	0.2	3.425	.11	.10	.098	.091
863-MM3Z4V7T1G	MM3Z4V7T1G	SOD-323	0.2	4.7	.16	.121	.05	.039
863-MM3Z5V6T1G	MM3Z5V6T1G	SOD-323	0.2	5.6	.16	.121	.05	.039
863-MM3Z33VST1G	MM3Z33VST1G	SOD-323	0.2	32.97	.22	.20	.19	.166
863-1SMA5921BT3G	1SMA5921BT3G	SMA	1.5	6.8	.40	.303	.201	.166
863-1SMB5939BT3G	1SMB5939BT3G	SMB	3	39	.40	.30	.205	.169
863-BZX84C10LT1G	BZX84C10LT1G	SOT-23	0.225	10	.19	.14	.058	.045
863-BZX84C13LT1G	BZX84C13LT1G	SOT-23	0.225	13	.19	.14	.058	.045
863-BZX84C15LT1G	BZX84C15LT1G	SOT-23	0.225	15	.19	.14	.058	.045
863-BZX84C16LT1G	BZX84C16LT1G	SOT-23	0.225	16	.19	.14	.058	.045
863-BZX84C2V4LT1G	BZX84C2V4LT1G	SOT-23	0.225	2.4	.19	.14	.058	.045
863-BZX84C33LT1G	BZX84C33LT1G	SOT-23	0.225	33	.19	.14	.058	.045
863-BZX84C3V3LT1G	BZX84C3V3LT1G	SOT-23	0.225	3.3	.19	.14	.058	.045
863-BZX84C3V9LT1G	BZX84C3V9LT1G	SOT-23	0.225	3.9	.19	.14	.058	.045
863-BZX84C47LT1G	BZX84C47LT1G	SOT-23	0.225	47	.19	.14	.058	.045
863-BZX84C4V3LT1G	BZX84C4V3LT1G	SOT-23	0.225	4.3	.19	.14	.058	.045

MOUSER STOCK NO.	ON Semi Part No.	Package	P Max (W)	VZ Typ. (V)	Price Each			
					1	25	100	500
Surface Mount (cont.)								
863-BZX84C51LT1G	BZX84C51LT1G	SOT-23	0.225	51	.07	.07	.056	.045
863-BZX84C6V8LT1G	BZX84C6V8LT1G	SOT-23	0.225	6.8	.19	.14	.058	.045
863-BZX84C7V5LT1G	BZX84C7V5LT1G	SOT-23	0.225	7.5	.16	.14	.058	.045
863-BZX84C8V2LT1G	BZX84C8V2LT1G	SOT-23	0.225	8.2	.19	.14	.058	.045
863-MMBZ5223BLT1G	MMBZ5223BLT1G	SOT-23	0.225	2.7	.03	.029	.027	.024
863-MMBZ5225BLT1G	MMBZ5225BLT1G	SOT-23	0.225	3.0	.03	.029	.027	.024
863-MMBZ5244BLT1G	MMBZ5244BLT1G	SOT-23	0.225	14	.19	.14	.058	.045
863-MMBZ5247BLT1G	MMBZ5247BLT1G	SOT-23	0.225	17	.03	.029	.027	.024
863-MSQA6V1W5T2G	MSQA6V1W5T2G	SOT-353	0.385	6.6	.34	.17	.131	.106
863-DF6A6.8FUT1G	DF6A6.8FUT1G	SOT-363	0.385	6.8	.24	.22	.163	.135
863-MMBZ18VALT1G	MMBZ18VALT1G	SOT-23	0.225	18	.32	.17	.096	.075
863-MMBZ5V6ALT1G	MMBZ5V6ALT1G	SOT-23	0.225	5.6	.04	.032	.028	.027
863-MMSZ43T1G	MMSZ43T1G	SOD-123	0.5	43	.16	.15	.092	.072
863-MMSZ5231BT1G	MMSZ5231BT1G	SOD-123	0.5	5.1	.14	.12	.09	.07
863-MMSZ5248BT1G	MMSZ5248BT1G	SOD-123	0.5	18	.14	.12	.09	.07
863-MMSZ5252BT1G	MMSZ5252BT1G	SOD-123	0.5	24	.20	.12	.09	.072
863-MMSZ5256BT1G	MMSZ5256BT1G	SOD-123	0.5	30	.16	.12	.09	.07
863-MMSZ5258BT1G	MMSZ5258BT1G	SOD-123	0.5	36	.20	.12	.09	.07
863-MMSZ5V6T1G	MMSZ5V6T1G	SOD-123	0.5	5.6	.24	.12	.092	.072
863-MMSZ4678T1G	MMSZ4678T1G	SOD-123	0.5	1.8	.16	.12	.09	.071
863-MMSZ4679T1G	MMSZ4679T1G	SOD-123	0.5	2	.18	.12	.09	.071
863-MMSZ4683T1G	MMSZ4683T1G	SOD-123	0.5	3	.16	.12	.09	.07
863-MMSZ4685T1G	MMSZ4685T1G	SOD-123	0.5	3.6	.16	.12	.09	.07
863-MMSZ4687T1G	MMSZ4687T1G	SOD-123	0.5	4.3	.16	.11	.092	.072
863-MMSZ4689ET1G	MMSZ4689ET1G	SOD-123	0.5	5.1	.63	.287	.143	.097
863-MMSZ4690T1G	MMSZ4690T1G	SOD-123	0.5	5.6	.10	.08	.074	.061
863-MMSZ4691T1G	MMSZ4691T1G	SOD-123	0.5	6.2	.16	.12	.09	.07
863-MMSZ4692T1G	MMSZ4692T1G	SOD-123	0.5	6.8	.18	.12	.09	.07
863-MMSZ4693T1G	MMSZ4693T1G	SOD-123	0.5	7.5	.16	.12	.09	.07
863-MMSZ4694T1G	MMSZ4694T1G	SOD-123	0.5	8.2	.18	.12	.09	.07
863-MMSZ4696T1G	MMSZ4696T1G	SOD-123	0.5	9.1	.18	.12	.09	.07
863-MMSZ4697T1G	MMSZ4697T1G	SOD-123	0.5	10	.18	.12	.09	.07
863-MMSZ4698T1G	MMSZ4698T1G	SOD-123	0.5	11	.10	.095	.086	.07
863-MMSZ4699T1G	MMSZ4699T1G	SOD-123	0.5	12	.18	.12	.09	.07
863-MMSZ4703T1G	MMSZ4703T1G	SOD-123	0.5	16	.16	.12	.09	.07
863-MMSZ4704T1G	MMSZ4704T1G	SOD-123	0.5	17	.16	.12	.09	.072
863-MMSZ4711T1G	MMSZ4711T1G	SOD-123	0.5	27	.16	.12	.09	.07
863-MMSZ5233BT1G	MMSZ5233BT1G	SOD-123	0.5	6	.18	.12	.09	.07
863-MMSZ5255BT1G	MMSZ5255BT1G	SOD-123	0.5	28	.10	.10	.086	.064
863-MMSZ5261BT1G	MMSZ5261BT1G	SOD-123	0.5	47	.24	.12	.09	.07
863-MMSZ5262BT1G	MMSZ5262BT1G	SOD-123	0.5	51	.18	.12	.09	.07
863-MMSZ5267BT1G	MMSZ5267BT1G	SOD-123	0.5	75	.24	.18	.12	.09
863-MMSZ5270BT1G	MMSZ5270BT1G	SOD-123	0.5	91	.16	.12	.09	.07
863-1SMA5919BT3G	1SMA5919BT3G	SMA	1.5	5.6	.40	.303	.201	.166
863-1SMB5914BT3G	1SMB5914BT3G	SMB	3	3.6	.38	.27	.205	.169
863-1SMB5915BT3G	1SMB5915BT3G	SMB	3	3.9	.40	.27	.205	.169
863-1SMB5916BT3G	1SMB5916BT3G	SMB	3	4.3	.40	.27	.205	.169
863-1SMB5917BT3G	1SMB5917BT3G	SMB	3	4.7	.30	.27	.205	.169
863-1SMB5918BT3G	1SMB5918BT3G	SMB	3	5.1	.40	.309	.205	.169
863-1SMB5922BT3G	1SMB5922BT3G	SMB	3	7.5	.40	.30	.205	.169
863-1SMB5923BT3G	1SMB5923BT3G	SMB	3	8.2	.40	.309	.205	.169
863-1SMB5925BT3G	1SMB5925BT3G	SMB	3	10	.38	.27	.205	.169
863-1SMB5928BT3G	1SMB5928BT3G	SMB	3	13	.40	.30	.205	.169
863-1SMB5930BT3G	1SMB5930BT3G	SMB	3	16	.38	.27	.205	.169
863-1SMB5932BT3G	1SMB5932BT3G	SMB	3	20	.40	.30	.205	.169
863-1SMB5933BT3G	1SMB5933BT3G	SMB	3	22	.30</			