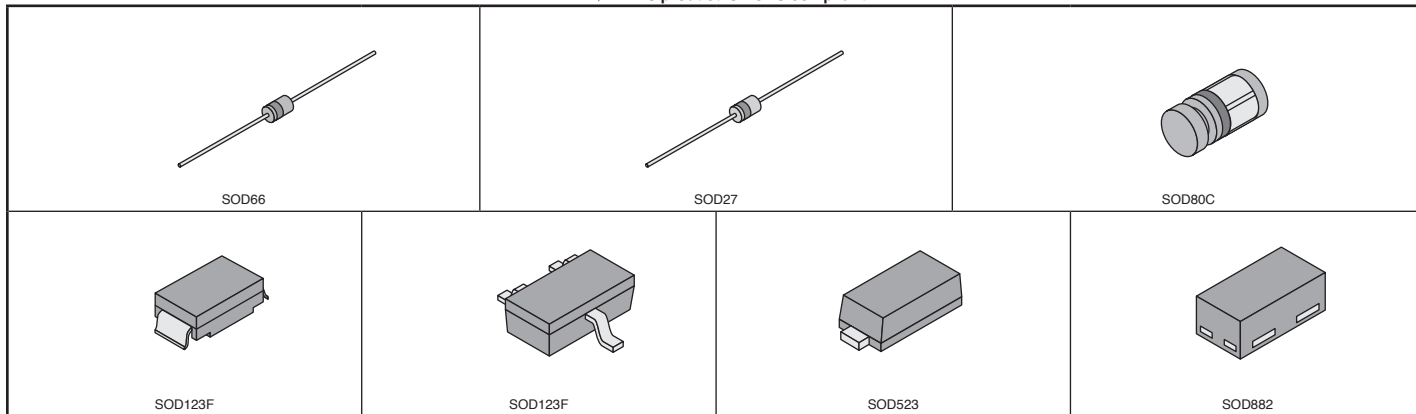


NXP SEMICONDUCTOR Diodes

RoHS Compliant This product is RoHS compliant.



For quantities greater than listed, call for quote.

For quantities greater than listed, call for quote.

MOUSER STOCK NO.	NXP Part No.	Nom. Volt (V)	Test Curr. (mA)	Ptot (mW)	Price Each		
					1	25	100
1N47xxA Series Zener Diodes: SOD66 (DO41) Tol 5%							
771-1N4733A-T/R	1N4733A	5.1	49	1000	.04	.038	.036
771-1N4734A-T/R	1N4734A	5.6	45	1000	.03	.025	.024
771-1N4735A-T/R	1N4735A	6.2	41	1000	.03	.025	.024
771-1N4739A-T/R	1N4739A	9.1	28	1000	.03	.025	.024
771-1N4740A-T/R	1N4740A	10	25	1000	.03	.025	.024
771-1N4742A-T/R	1N4742A	12	21	1000	.03	.025	.024
771-1N4743A-T/R	1N4743A	13	19	1000	.03	.025	.024
771-1N4744A-T/R	1N4744A	15	17	1000	.03	.025	.024
771-1N4745A-T/R	1N4745A	16	15.5	1000	.03	.025	.024
771-1N4746A-T/R	1N4746A	18	14	1000	.03	.025	.024
771-1N4749A-T/R	1N4749A	24	10.5	1000	.06	.05	.038
BZX79 Series Zener Diodes: SOD27 (DO35) Tol 5% (Also Available in 2% Tol)							
771-BZX79-C2V7-T/R	BZX79-C2V7	2.7	5	500	.04	.034	.029
771-BZX79-C3V3-T/R	BZX79-C3V3	3.3	5	500	.07	.05	.041
771-BZX79-C4V7-T/R	BZX79-C4V7	4.7	5	500	.04	.034	.029
771-BZX79-C5V1-T/R	BZX79-C5V1	5.1	5	500	.04	.034	.029
771-BZX79-C8V2-T/R	BZX79-C8V2	8.2	5	500	.04	.034	.029
BZV55 Series Zener Diodes: SOD80C Tol 5% (Also Available in 2% Tol)							
771-BZV55-C3V6-T/R	BZV55-C3V6	3.6	5	500	.05	.05	.042
771-BZV55-C4V3-T/R	BZV55-C4V3	4.3	5	500	.06	.05	.042
771-BZV55-C4V7-T/R	BZV55-C4V7	4.7	5	500	.03	.021	.02
771-BZV55-C5V1-T/R	BZV55-C5V1	5.1	5	500	.05	.046	.042
771-BZV55-C5V6-T/R	BZV55-C5V6	5.6	5	500	.05	.046	.042
771-BZV55-C6V2-T/R	BZV55-C6V2	6.2	5	500	.05	.046	.042
771-BZV55-C10-T/R	BZV55-C10	10	5	500	.05	.05	.042
771-BZV55-C12-T/R	BZV55-C12	12	5	500	.05	.046	.042
771-BZV55-C36-T/R	BZV55-C36	36	5	500	.10	.07	.056
771-BZV55-C39-T/R	BZV55-C39	39	5	500	.06	.05	.042
771-BZV55-C47115	BZV55-C47115	47	5	500	.05	.048	.041
BZT52H Series Zener Diodes: SOD123F Tol 5%							
771-BZT52H-C2V4-T/R	BZT52H-C2V4	2.4	5	830	.04	.038	.036
771-BZT52H-C3V0-T/R	BZT52H-C3V0	3.0	5	830	.04	.038	.036
771-BZT52H-C3V3-T/R	BZT52H-C3V3	3.3	5	830	.04	.038	.036
771-BZT52H-C3V6-T/R	BZT52H-C3V6	3.6	5	830	.04	.038	.036
771-BZT52H-C4V7-T/R	BZT52H-C4V7	4.7	5	830	.04	.038	.036
771-BZT52H-C5V1-T/R	BZT52H-C5V1	5.1	5	830	.04	.038	.036
771-BZT52H-C5V6115	BZT52H-C5V6115	5.6	5	830	.04	.038	.036
771-BZT52H-C6V2-T/R	BZT52H-C6V2	6.2	5	830	.04	.038	.036
771-BZT52H-C6V8115	BZT52H-C6V8115	6.8	5	830	.04	.038	.036
771-BZT52H-C15115	BZT52H-C15115	15	5	830	.04	.038	.036
771-BZT52H-C68115	BZT52H-C68115	68	5	830	.04	.038	.036
BZX84 Series Zener Diodes: SOT23 Tol 5% (Available in 1% and 2% Tol)							
771-BZX84-C2V4-T/R	BZX84-C2V4	2.4	5	250	.04	.037	.034
771-BZX84-C2V7-T/R	BZX84-C2V7	2.7	5	250	.04	.037	.034
771-BZX84-C3V0-T/R	BZX84-C3V0	3.0	5	250	.04	.037	.034
771-BZX84-C3V3-T/R	BZX84-C3V3	3.3	5	250	.05	.041	.034
771-BZX84-C3V6-T/R	BZX84-C3V6	3.6	5	250	.04	.037	.034
771-BZX84-C3V9-T/R	BZX84-C3V9	3.9	5	250	.04	.037	.034

MOUSER STOCK NO.	NXP Part No.	Nom. Volt (V)	Test Curr. (mA)	Ptot (mW)	Price Each		
					1	25	100
BZX84 Series Zener Diodes: SOT23 Tol 5% (Available in 1% and 2% Tol) (Cont.)							
771-BZX84-C4V3-T/R	BZX84-C4V3	4.3	5	250	.05	.041	.034
771-BZX84-C4V7-T/R	BZX84-C4V7	4.7	5	250	.04	.03	.028
771-BZX84-C5V1-T/R	BZX84-C5V1	5.1	5	250	.05	.041	.034
771-BZX84-C5V6-T/R	BZX84-C5V6	5.6	5	250	.04	.03	.028
771-BZX84-C6V2-T/R	BZX84-C6V2	6.2	5	250	.04	.03	.028
771-BZX84-C6V8-T/R	BZX84-C6V8	6.8	5	250	.04	.03	.028
771-BZX84-C7V5-T/R	BZX84-C7V5	7.5	5	250	.04	.037	.034
771-BZX84-C8V2-T/R	BZX84-C8V2	8.2	5	250	.04	.037	.034
771-BZX84-C9V1-T/R	BZX84-C9V1	9.1	5	250	.04	.037	.034
771-BZX84-C10-T/R	BZX84-C10	10	5	250	.20	.18	.134
771-BZX84-C11-T/R	BZX84-C11	11	5	250	.20	.18	.134
771-BZX84-C12-T/R	BZX84-C12	12	5	250	.04	.03	.028
771-BZX84-C13-T/R	BZX84-C13	13	5	250	.50	.041	.034
771-BZX84-C15-T/R	BZX84-C15	15	5	250	.05	.041	.034
771-BZX84-C16-T/R	BZX84-C16	16	5	250	.04	.037	.034
771-BZX84-C18-T/R	BZX84-C18	18	5	250	.04	.03	.025
771-BZX84-C20-T/R	BZX84-C20	20	5	250	.04	.037	.034
771-BZX84-C22-T/R	BZX84-C22	22	5	250	.04	.037	.034
771-BZX84-C24-T/R	BZX84-C24	24	5	250	.05	.041	.034
771-BZX84-C30-T/R	BZX84-C30	30	5	250	.05	.041	.034
771-BZX84-C33-T/R	BZX84-C33	33	5	250	.04	.037	.034
771-BZX84-C36-T/R	BZX84-C36	36	5	250	.04	.037	.034
771-BZX84-C43-T/R	BZX84-C43	43	5	250	.05	.041	.034
771-BZX84-C47-T/R	BZX84-C47	47	5	250	.05	.041	.034
771-BZX84-C51-T/R	BZX84-C51	51	5	250	.04	.037	.034
771-BZX84-C56-T/R	BZX84-C56	56	5	250	.09	.07	.048
771-BZX84-C62-T/R	BZX84-C62	62	5	250	.05	.041	.034
BZX585 Series Zener Diodes: SOD523 (SC79) Tol 5% (Also Available in 2% Tol)							
771-BZX585-C16-T/R	BZX585-C16	16	5	300	.25	.18	.13
771-BZX585-C18-T/R	BZX585-C18	18	5	300	.06	.054	.05
771-BZX585-C33115	BZX585-C33115	33	5	300	.06	.054	.05
771-BZX585-C47115	BZX585-C47115	47	5	300	.06	.054	.05
771-BZX585-C62115	BZX585-C62115	62	5	300	.06	.054	.05
771-BZX585-C75-T/R	BZX585-C75	75	5	300	.25	.18	.13
BZX884 Series Zener Diodes: SOD882 Tol 5% (Also Available in 2% Tol)							
771-BZX884-C6V2315	BZX884-C6V2315	6.2	5	250	.14	.11	.093
771-BZV49-C2V4-T/R	BZV49-C2V4	2.4	5	1000	.26	.22	.19
771-BZV49-C12-T/R	BZV49-C12	12	5	1000	.45	.36	.27
771-BZV90-C18115	BZV90-C18115	18	5	1500	.35	.31	.301
771-PDZ2.4B-T/R	PDZ2.4B	2.43	2.63	5	.05	.045	.042
771-PDZ47B115	PDZ47B115	4.55	4.75	5	.05	.043	.04
771-PDZ5.1B-T/R	PDZ5.1B	4.96	5.2	5	.05	.045	.042
771-PDZ5.6B-T/R	PDZ5.6B	5.48	5.73	5	.05	.042	.04
771-PDZ82B115	PDZ82B115	8.02	8.36	5	.05	.045	.042
771-PDZ15B-T/R	PDZ15B	14.34	14.98	5	.05	.045	.042
771-PDZ18B-T/R	PDZ18B	17.56	18.35	5	.05	.045	.042
771-PDZ36B-T/R	PDZ36B	35.07	36.87	5	.05	.045	.042