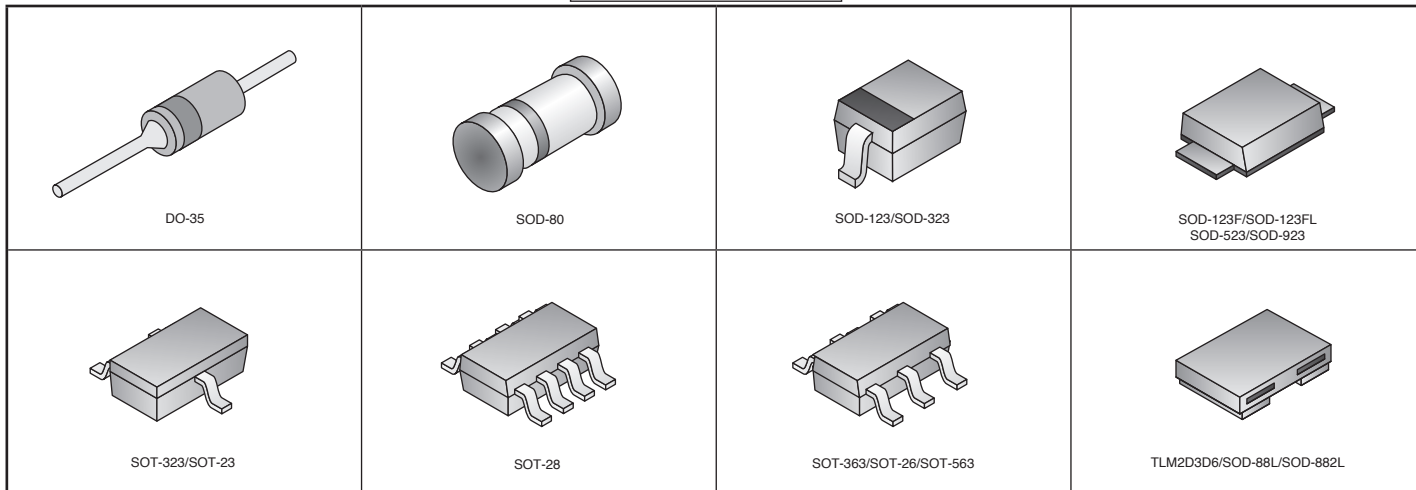


CENTRAL Diodes

Products may be RoHS compliant.
Check mouser.com for RoHS status.

Central
Semiconductor Corp.



CENTRAL SWITCHING DIODES

NEW
PRODUCT

◆ Surface Mount Device

For quantities greater than listed, call for quote.

MOUSER STOCK NO.	Central Part No.	Package	Io (mA)	If (mA)	VRRM (V)	PD (mW)	Price Each			
							1	25	100	250
◆ 610-CTLSH01-30	CTLSH01-30	TLM2D3D6	-	100	30	100	.26	.22	.16	.14
◆ 610-CFSH2-3L	CFSH2-3L	SOD-88L	-	200	30	100	.35	.31	.29	.22
◆ 610-CFSH-4	CFSH-4	SOD-882L	-	200	40	100	.45	.42	.39	.35
◆ 610-1N914	1N914	DO-35	150	200	100	500	.06	.05	.04	.03
◆ 610-1N4152	1N4152	DO-35	150	-	40	500	.25	.24	.23	.22
◆ 610-CMHD3595	CMHD3595	SOD-123	150	-	150	400	.44	.41	.38	.35
◆ 610-CMXD2004	CMXD2004	SOT-26	200	225	300	250	.43	.396	.36	.324
◆ 610-CFD4448	CFD4448	SOD-882L	-	250	120	100	.16	.14	.132	.122
◆ 610-CMXD3003TO	CMXD3003TO	SOT-26	200	300	180	350	.50	.45	.42	.39
◆ 610-1N3600	1N3600	DO-35	200	400	50	500	.28	.26	.25	.23
◆ 610-CMKD2838	CMKD2838	SOT-363	200	-	75	300	.30	.28	.25	.23
◆ 610-CMSD2836	CMSD2836	SOT-323	200	-	75	275	.23	.21	.19	.17
◆ 610-CMSD2838	CMSD2838	SOT-323	200	-	75	275	.23	.21	.19	.17
◆ 610-CMSD7000	CMSD7000	SOT-323	200	-	100	275	.19	.176	.156	.144
◆ 610-CMPD2836E	CMPD2836E	SOT-23	200	-	120	350	.12	.11	.10	.09
◆ 610-CMPD2838E	CMPD2838E	SOT-23	200	-	120	350	.13	.11	.09	.07
◆ 610-CMPD7000E	CMPD7000E	SOT-23	200	-	120	350	.17	.154	.132	.108
◆ 610-CMPD3003A	CMPD3003A	SOT-23	200	-	180	350	.23	.22	.19	.17
◆ 610-CMPD3003C	CMPD3003C	SOT-23	200	-	180	350	.30	.285	.255	.234
◆ 610-CMPD3003S	CMPD3003S	SOT-23	200	-	180	350	.30	.285	.255	.234
◆ 610-CMLD2004C	CMLD2004C	SOT-563	200	-	300	250	.46	.327	.30	.272
◆ 610-CMLD2004DO	CMLD2004DO	SOT-563	200	-	300	250	.48	.44	.40	.36
◆ 610-CMLD2004S	CMLD2004S	SOT-563	200	-	300	250	.48	.44	.40	.36
◆ 610-CMOD2004	CMOD2004	SOT-563	200	-	300	250	.28	.261	.235	.218
◆ 610-CMPD2004	CMPD2004	SOT-23	200	-	300	350	.55	.45	.43	.39
◆ 610-CMPD2004S	CMPD2004S	SOT-23	200	-	300	350	.50	.45	.40	.35
◆ 610-CMPD2005S	CMPD2005S	SOT-23	200	-	350	350	.38	.34	.31	.28
◆ 610-CMSD2004S	CMSD2004S	SOT-323	-	225	300	275	.46	.327	.30	.272
◆ 610-CMEDA-6I	CMEDA-6I	SOT-28	-	250	60	350	1.31	1.22	1.04	.899
◆ 610-CLL914	CLL914-TR	SOD-80	-	250	100	500	1.14	1.131	1.117	1.07
◆ 610-CMKD6001	CMKD6001	SOT-363	-	250	100	250	.30	.28	.25	.23
◆ 610-CMLD6001	CMLD6001	SOT-563	-	250	100	250	.32	.29	.25	.21
◆ 610-CMLD6001DO	CMLD6001DO	SOT-563	-	250	100	250	.40	.32	.29	.27
◆ 610-CMOD4448	CMOD4448	SOD-523	-	250	100	250	.50	.388	.277	.213
◆ 610-CMOD6001	CMOD6001	SOD-523	-	250	100	250	.27	.244	.217	.204
◆ 610-CMPD4448	CMPD4448	SOT-23	-	250	100	350	.24	.22	.19	.17
◆ 610-CMPD6001	CMPD6001	SOT-23	-	250	100	350	.32	.29	.26	.24
◆ 610-CMPD6001A	CMPD6001A	SOT-23	-	250	100	350	.34	.255	.228	.209
◆ 610-CMPD6001C	CMPD6001C	SOT-23	-	250	100	350	.34	.255	.228	.209
◆ 610-CMPD6001S	CMPD6001S	SOT-23	-	250	100	350	.34	.255	.228	.209
◆ 610-CMPD914	CMPD914	SOT-23	-	250	100	350	.18	.14	.12	.09
◆ 610-CMXD6001	CMXD6001	SOT-26	-	250	100	350	.33	.30	.28	.25
◆ 610-CMLD4448	CMLD4448	SOT-563	-	250	120	300	.39	.32	.25	.21
◆ 610-CMLD4448DO	CMLD4448DO	SOT-563	-	250	120	300	.30	.28	.25	.23
◆ 610-CMPD914E	CMPD914E	SOT-23	-	250	120	350	.11	.10	.09	.08
◆ 610-CMAD6001	CMAD6100	SOD-923	250	-	100	100	.28	.25	.21	.18

CENTRAL SCHOTTKY DIODES

NEW
PRODUCT

◆ Surface Mount Device

For quantities greater than listed, call for quote.

MOUSER STOCK NO.	Central Part No.	Package	VRRM (V)	If (mA)	PD (mW)	Price Each			
						1	25	100	250
◆ 610-CFSH01-30L	CFSH01-30L	SOD-882L	30	100	100	.35	.32	.30	.28
◆ 610-CMOSH-3	CMOSH-3	SOD-523	30	100	250	.32	.28	.254	.232
◆ 610-CMDSH-3	CMDSH-3	SOD-323	30	750	250	.66	.55	.44	.40
◆ 610-CMSSH-3	CMSSH-3	SOT-323	30	100	275	.34	.255	.228	.209
◆ 610-CMSSH-3A	CMSSH-3A	SOT-323	30	100	275	.41	.30	.259	.207
◆ 610-CMSSH-3S	CMSSH-3S	SOT-323	30	100	275	.34	.255	.228	.209
◆ 610-CMKSH-3T	CMKSH-3T	SOT-363	30	100	350	.30	.28	.25	.23
◆ 610-CMPSH-3C	CMPSH-3C	SOT-23	30	100	350	.53	.47	.42	.39
◆ 610-CMXSH-3	CMXSH-3	SOT-26	30	100	350	.36	.338	.316	.283
◆ 610-CMSSH-3E	CMSSH-3E	SOT-323	40	200	250	.35	.31	.29	.22
◆ 610-CMLSH-4DO	CMLSH-4DO	SOT-563	40	200	250	.36	.338	.316	.283
◆ 610-CMOSH-4E	CMOSH-4E	SOD-523	40	200	250	.20	.18	.17	.16
◆ 610-CMXSH2-4LS	CMXSH2-4LS	SOT-26	40	200	350	.63	.50	.453	.433
◆ 610-CMPSH-3AE	CMPSH-3AE	SOT-23	40	200	350	.40	.36	.32	.28
◆ 610-CMPSH-3CE	CMPSH-3CE	SOT-23	40	200	350	.24	.22	.20	.18
◆ 610-CMPSH-3E	CMPSH-3E	SOT-23	40	200	350	.26	.242	.224	.205
◆ 610-CMPSH-3SE	CMPSH-3SE	SOT-23	40	200	350	.26	.22	.18	.14
◆ 610-CMDD6263	CMDD6263	SOD-323	70	15	250	.30	.285	.255	.234
◆ 610-CMKD6263	CMKD6263	SOT-363	70	15	250	.44	.41	.37	.33
◆ 610-CMLD6263	CMLD6263	SOT-563	70	15	250	.28	.261	.235	.218
◆ 610-CMLD6263C	CMLD6263C	SOT-563	70	15	250	.28	.261	.235	.218
◆ 610-CMLD6263DO	CMLD6263DO	SOT-563	70	15	250	.28	.261	.235	.218
◆ 610-CMLD6263S	CMLD6263S	SOT-563	70	15	250	.30	.28	.25	.23
◆ 610-CMOD6263	CMOD6263	SOD-523	70	15	250	.27	.25	.23	.20
◆ 610-CMSD6263CLF	CMSD6263CLF	SOT-323	70	15	275	.36	.33	.30	.27
◆ 610-CMSD6263S	CMSD6263S	SOT-323	70	15	275	.36	.33	.30	.27
◆ 610-CMPD6263	CMPD6263	SOT-23	70	15	350	.24	.22	.20	.18
◆ 610-CMPD6263C	CMPD6263C	SOT-23	70	15	350	.30	.28	.25	.23
◆ 610-CMPD6263S	CMPD6263S	SOT-23	70	15	350	.33	.27	.22	.17
◆ 610-CDSH270	CDSH270A	DO-35	100	100	100	.35	.28	.25	.23

CENTRAL LOW NOISE ZENER DIODES

◆ Surface Mount Device

For quantities greater than listed, call for quote.

MOUSER STOCK NO.	Central Part No.	Package	VRRM (V)	If (mA)	PD (mW)	Price Each			
						1	25	100	250
◆ 610-CMHZ4678	CMHZ4678	SOD-123	500	1.8	0.5	.33	.31	.29	.26
◆ 610-CMHZ4099	CMHZ4099	SOD-123	500	6.8	0.25	.21	.171	.142	.128
◆ 610-CMHZ4693	CMHZ4693	SOD-123	500	7.5	0.5	.33	.31	.29	.26
◆ 610-CMHZ4715	CMHZ4715	SOD-123	500	.36	0.5	.33	.31	.29	.26

CENTRAL TRANSIENT VOLTAGE SUPPRESSOR DIODES (TVS)

NEW
PRODUCT

◆ Surface Mount Device

For quantities greater than listed, call for quote.

MOUSER STOCK NO.	Central Part No.	Package	Clamping Voltage (V)	Polarity	Break-down Voltage (V)	PD (W)	Price Each			
							1	25	100	250
◆ 610-CMF5.0A	CMF5.0A	SOD-123F	9.2	Unidirectional	7	200	.54	.48	.432	.401
◆ 610-CMF170A	CMF170A	SOD-123F	275	Unidirectional	209	200	.54	.48	.432	.401
◆ 610-CMF24A-TR	CMF24A-TR	SOD-123F	38.9	Unidirectional	26.7-29.5	200	.33	.31	.29	.26

CENTRAL CURRENT REGULATING DIODES

NEW
PRODUCT

◆ Surface Mount Device

For quantities greater than listed, call for quote.

MOUSER STOCK NO.	Central Part No.	Package	If (mA)	POV (V)	PD (mW)	Price Each			
						1	25	100	250
◆ 610-1N5314	1N5314	DO-35	4.7	100	600	5.63	5.23	4.79	4.50
◆ 610-CMJH150	CMJH150	SOT-563	18	50	500	4.00	3.56	3.20	2.91