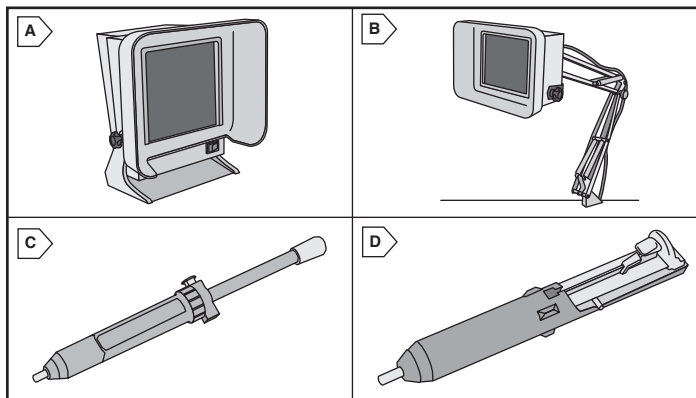


Fume Absorbers, Desoldering Pumps, and Soldering Pots



BENCHTOP FUME ABSORBERS SA-9 SERIES



RoHS Compliant

- Aerodynamic hood design effectively draws irritating soldering fumes away from the work area.
- Carbon-impregnated filters trap a limited portion of the flux fumes.
- Compact size, low profile and adjustable stand allows convenient placement 6" to 8" (152 to 203mm) from work area.

- SA-9 Series System includes: Fume Absorber and 3 Filters
- Input Voltage: 115V AC

MOUSER STOCK NO.	OK Industries Part No.	Fig.	Description	Price Each
801-SA-9-115	SA-9-115	A	Benchtop Fume Absorber	86.45
801-SA-9-E-115	SA-9-E-115	A	ESD Safe Benchtop Fume Absorber	105.00



FUME ABSORBERS WITH ARTICULATING ARM - SA-90 SERIES

- Articulating arm allows optimized positioning and saves bench space.
- Bench mounting clamp and 3 filters come complete with unit.
- ESD-Safe version available with static-dissipative housing.
- SA-90 Series System includes: Fume Absorber, Articulating arm, Mounting Bracket and 3 Filters.

801-SA-91	SA-91	B	Fume Absorber with Articulating Arm	220.00
801-SA-91-E	SA-91-E	B	ESD Safe Fume Absorber with arm	222.00
801-SAF-1	SAF-1	B	Replacement Filters, 3 pcs.	17.50



HIGH VACUUM DESOLDERING PUMP

A specially engineered desolder pump made to high specifications and providing precise repeatable operation. Fitted with a Teflon Tip.

- Precision metal plunger
- Corrosion treated springs
- Insulated Vacuum pulse
- Regulated return (1 millisecond $\pm 30\%$)
- Durable Corrosion Resistant
- Plastic construction
- Cushioned Shock Reduction
- Uniform reset pressure (11in. Lbs $\pm 20\%$)

801-DP-100	DP-100	C	High Vacuum Desoldering Pump	18.50
801-DP-200	DP-200	C	ESD Safe, High Vac Desoldering Pump	23.50



DESOLDERING PUMP

- Precision regulated return
- Replaceable Tip
- Precision metal plunger
- Sealed Vacuum chamber
- Compact, anti-corrosive plastic housing
- Easy cleaning

801-DP-140	DP-140	D	Desoldering Pump	11.75
------------	--------	---	------------------	-------



ACCESSORIES

801-DPT-100	DPT-100	-	Replacement Tip for DP-100/140	2.60
801-DPT-200	DPT-200	-	Replacement Tip for DP-200	4.30

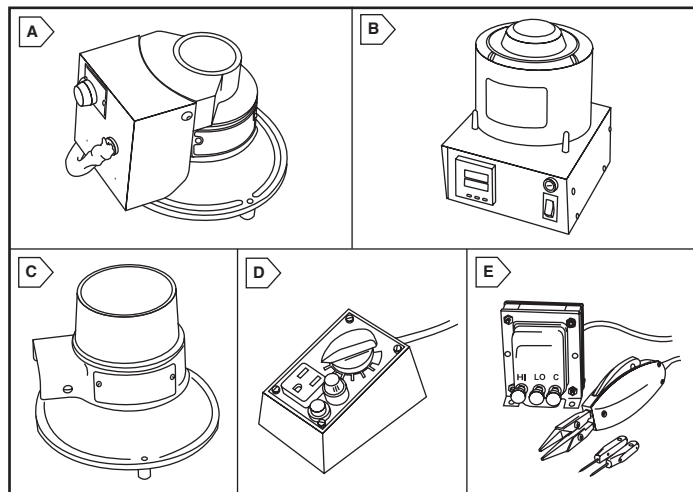
PLATO GENERAL PURPOSE SOLDER POTS

Plato General Purpose Solder Pots control temperature $\pm 11^\circ\text{F}$ ($\pm 6^\circ\text{C}$) through the use of a thermal timer switch with automatic correction for voltage fluctuations.

Features:

- A three index position control switch with infinitely variable temperature control
- Safety heat shield
- Removable cross tray for easy cleaning
- Three-wire, grounded UL listed cord
- 2.5" (64mm) diameter by 1.5" (38mm) deep crucible
- Adjustable leveling feet
- Capacity: 2.0lbs. (1kg)
- Shipping Weight: 11lbs. (5kg)

MOUSER STOCK NO.	Plato Part No.	Input	Wattage	Temperature Range	Price Each
577-SP-101	SP-101	120VAC	350	500°F to 975°F (525°C)	357.31
577-SP-301	SP-301	120VAC	500	500°F to 1100°F (595°C)	369.72



SOLDERING POTS



RoHS Compliant

Production proven solder pots for tinning, stripping, dip soldering, and other applications. They are designed and engineered for today's continuous production requirements. The cast iron crucibles are designed for operator convenience, comfort, and high volume production. ETI solder pots are available in 120 and 240 volts. Special wattages can be supplied. All solder pots are supplied with a three conductor cordset.

MOUSER STOCK NO.		Fig.	Model	Watts	Max Temp.	Solder Capacity	Price Each	
Mfr.	Mfr. Part No.						1	5
554—P120020		A	12T	250	650	.75 lb.	267.10	253.74
554—PD24		B	PD24	250	1100	1.25 lbs.	1567.94	1489.53
554—P3600		C	36	250	750	2.250 lbs.	221.28	210.19



TEMPERATURE CONTROL UNIT



RoHS Compliant

This control provides manual adjustment of soldering iron tip temperature or solder pot temperature, with automatic correction for voltage fluctuations. ESICONTROL provides close control- up to 75% of full wattage of the heating element. It permits operation, without control, at 100% of full wattage. The ESICONTROL will handle any 120 volt AC heater load to 840 watts. Control is fused and has a pilot light to indicate cycling.

Can be used with any standard soldering pot that is not thermostatically controlled.

MOUSER STOCK NO.		Fig.	Description	Price Each	
Mfr.	Mfr. Part No.			1	5
554—S5360		D	Type EC-6 Temp Control Unit	109.42	106.75



PTH RESISTANCE SOLDERING TOOL



RoHS Compliant

The PTH stands for "Press To Heat" and means just that. This lightweight hand-held electrical resistance soldering tool uses its pliers' action to supply instant heat, making jobs easier, quicker, and cleaner than the traditional irons. When heating on High, the tool will draw up to 30 amps at no load resistance. The engineered carbon electrodes are standard, but alternative wire electrode tips are available to reach those tight places.

MOUSER STOCK NO.		Fig.	Description	Price Each	
Mfr.	Mfr. Part No.			1	5
554—R23801		E	Model JLA Soldering Tool	312.86	297.21

