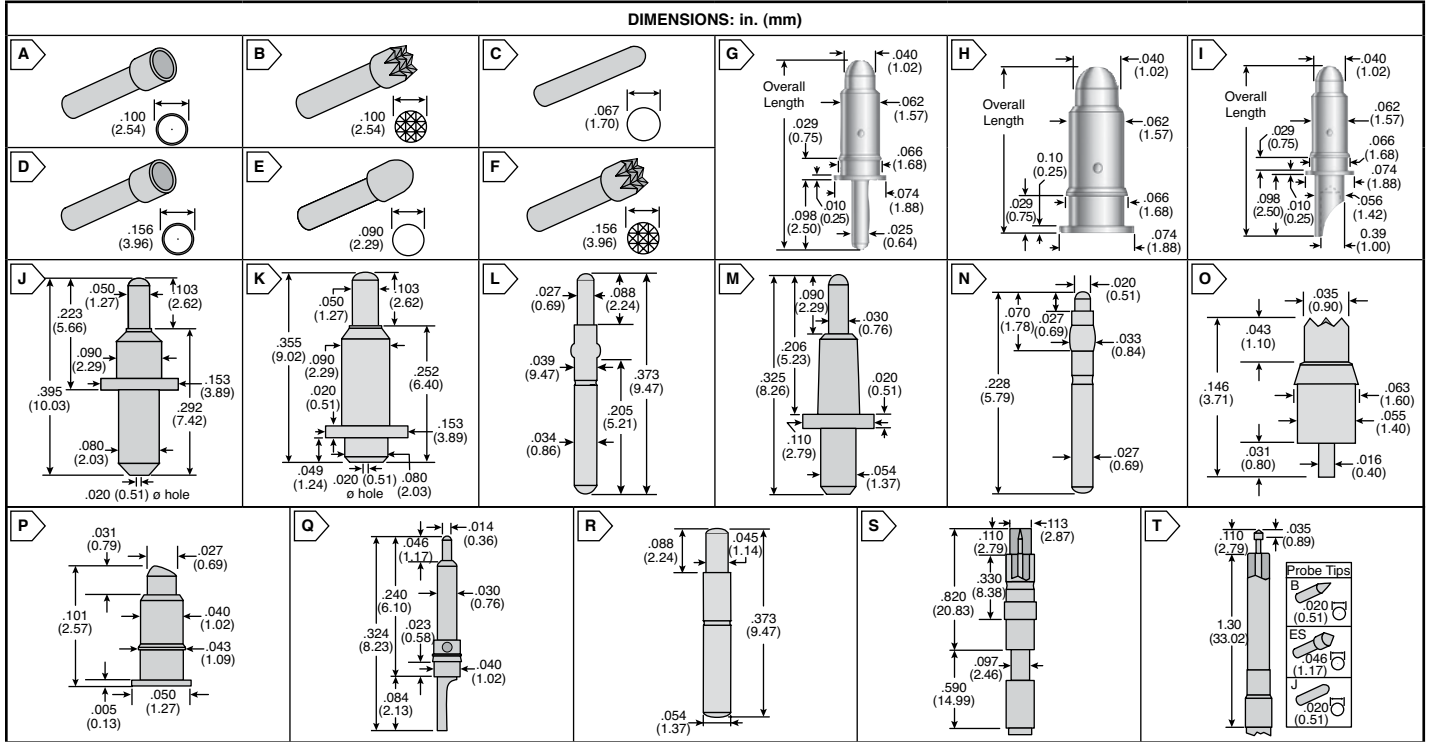


IDI Spring Contact Probes and Receptacles



RoHS Compliant This product is RoHS compliant.



SERIES S SIZE 3 .125" TO 5.185" CENTERS

Materials:
 • Contact Barrel: Nickel/Silver, Gold Plated • Plunger: Beryllium Copper, Gold Plated over Nickel
 • Spring: Stainless Steel, Gold Plated

For quantities greater than listed, call for quote.

MOUSER STOCK NO.	Fig.	Description	Price Each		
			1	25	50
Spring Contact Probes					
818-S-3-A-4-G	A	Headed Cup	2.75	2.47	2.23
818-S-3-H-4-G	B	Headed Serrated	4.13	3.72	3.36
818-S-3-J-4-G	C	Headless Radius	2.75	2.47	2.23
818-S-4-A-5-G	D	.156" Headed Cup	5.02	4.53	4.07
818-S-4-D-5-G	E	.156" Headed Radius	5.02	4.53	4.07
818-S-4-H-5-G	F	.156" Headed Serrated	5.02	4.53	4.07
818-S-5-A-8-G	D	Headed Cup	5.31	4.80	4.37
818-S-5-H-8-G	F	Headed Serrated	3.64	3.28	2.91
Receptacles					
818-R-3-CR	-	Receptacle, Crimp	.65	.594	.532
818-R-3-SC	-	Receptacle, Solder Cup	.70	.63	.57
818-R-4-SC	-	.156" Receptacle, Solder Cup	.70	.63	.57
818-R-5-SC	-	Receptacle, Solder Cup	1.08	.97	.87

C SERIES PROBES SIZE .100 CENTERS

Materials:
 • Barrel: Brass, gold plated
 • Spring: Stainless steel

Plunger:
 • CG Series: Brass, gold plated
 • CP Series: Brass, gold plated
 • CS Series: Brass, Duralloy™ plated

Special Features:
 • CG Series: Bias plunger design
 • CP Series: Bias plunger design
 • CS Series: Standard design

Recommendations:
 • Mounting hole: .064/.065 (1.62/1.65)
 • Pad size for Surface Mount: .085 (2.20)
 • Wire gage for Solder Cup: 20 gage max.
 • Drill size for Thru Hole Tail: .035 (0.89)

2.5-4 Series **For quantities greater than listed, call for quote.**

MOUSER STOCK NO.	Fig.	Overall Length	Price Each		
			1	25	50
Thru Hole					
818-CG-2.5-4-TH	G	.295 (7.50)	1.65	1.49	1.32
818-CP-2.5-4-TH	G	.283 (7.20)	1.65	1.49	1.32
818-CS-2.5-4-TH	G	.283 (7.20)	1.38	1.24	1.10
Surface Mount					
818-CG-2.5-4-SM	H	.197 (5.00)	1.50	1.36	1.20
818-CP-2.5-4-SM	H	.185 (4.70)	1.50	1.36	1.20
818-CS-2.5-4-SM	H	.185 (4.70)	1.25	1.13	1.00
Solder Cup					
818-CG-2.5-4-SC	I	.295 (7.50)	2.03	1.83	1.62
818-CP-2.5-4-SC	I	.283 (7.20)	2.03	1.83	1.62
818-CS-2.5-4-SC	I	.283 (7.20)	1.75	1.58	1.40

2.5-6 Series **For quantities greater than listed, call for quote.**

MOUSER STOCK NO.	Fig.	Overall Length	Price Each		
			1	25	50
Thru Hole					
818-CG-2.5-6-TH	G	.433 (11.00)	1.65	1.49	1.32
818-CP-2.5-6-TH	G	.413 (10.50)	1.65	1.49	1.32
818-CS-2.5-6-TH	G	.413 (10.50)	1.38	1.24	1.10
Surface Mount					
818-CG-2.5-6-SM	H	.335 (8.50)	1.50	1.36	1.20
818-CP-2.5-6-SM	H	.315 (8.00)	1.50	1.36	1.20
818-CS-2.5-6-SM	H	.315 (8.00)	1.25	1.13	1.00
Solder Cup					
818-CG-2.5-6-SC	I	.433 (11.00)	2.03	1.83	1.62
818-CP-2.5-6-SC	I	.413 (10.50)	2.03	1.83	1.62
818-CS-2.5-6-SC	I	.413 (10.50)	1.75	1.58	1.40

BATTERY AND CONNECTOR CONTACTS

Materials:
 • Contact Barrel: Nickel/Silver, Gold Plated • Plunger: Full hard Beryllium Copper, Gold Plated over Nickel
 • Spring: Stainless Steel, Gold Plated • Ball: Stainless Steel, Gold Plated

For quantities greater than listed, call for quote.

MOUSER STOCK NO.	Fig.	Description	Price Each		
			1	25	50
Battery Contact					
818-100410-005	J	Battery Contact	1.18	1.06	.95
818-100891-002	K	Battery Contact	1.18	1.06	.95
818-100803-11	L	Battery Contact Probe 50 mil	1.68	1.51	1.34
818-101050-003	M	Battery Contact Probe 125 mil	.73	.69	.66
818-101294-000	N	Battery Contact Probe	1.40	1.25	1.15
818-101438-000	O	Battery Contact Probe	2.04	1.83	1.67
818-101582-000	P	Battery Contact Probe	2.78	2.49	2.25
818-101679-000	Q	Battery Contact Probe	1.80	1.61	1.47
Accessories					
818-305329-000-0602	-	Target Contact	.30	.27	.25

BATTERY CONTACT PROBES - 100 MIL

Materials:
 • Contact Barrel: Nickel/Silver, Gold Plated • Plunger: Beryllium Copper, Gold Plated over Nickel
 • Spring: Stainless Steel, Gold Plated

For quantities greater than listed, call for quote.

MOUSER STOCK NO.	Fig.	Description	Price Each		
			1	25	50
Headless Radius					
818-GSS-10-3.8-G	R	Headless Radius	1.50	1.32	1.20
Headless Serrated (Plunger - Fig. B)					
818-GSS-19-3.8-G	R	Headless Serrated (Plunger - Fig. B)	1.75	1.57	1.41
Headed Radius (Flat Round Plunger)					
818-GSS-3-3.8-G	M	Headed Radius (Flat Round Plunger)	1.50	1.35	1.21

SINGLE ENDED COAXIAL PROBES

Materials:
 • Signal Conductor: 1.6oz. @ .070 (1.78) travel, for tips B, J & U
 2.0oz. @ .070 (1.78) travel, for tips A, ES & H
 • Shielding Plunger: 4.3oz. @ .070 (1.78) travel

For quantities greater than listed, call for quote.

MOUSER STOCK NO.	Fig.	Mounting Flange	Shielding Plunger	Cable Length	Price Each		
					1	25	50
818-100445-001-12A	S	Yes	Flat	12"	125.00	112.50	100.00
818-100445-023-12A	S	Yes	Serrated	12"	125.00	112.50	100.00

For quantities greater than listed, call for quote.

MOUSER STOCK NO.	Fig.	ES	B	12"	SMA	Price Each		
						1	25	50
818-100526-030-12A	T	ES	B	12"	SMA	111.76	100.56	89.40
818-100526-025-6A	T	B		6"	SMA	52.23	47.00	41.78