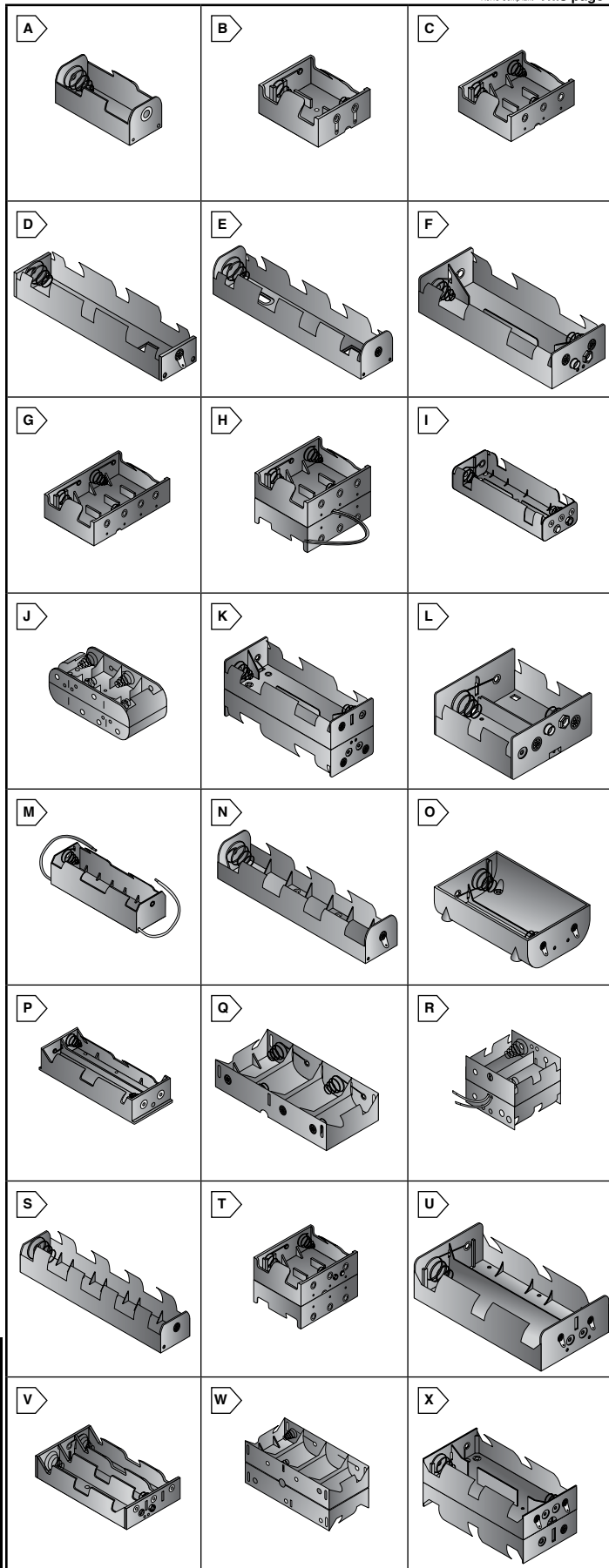


EAGLE PLASTIC DEVICES Battery Holders



RoHS Compliant This page of product is compliant.

Battery holders are constructed using an "unbreakable" type plastic.
Nickel-plated hardware provides excellent corrosion resistance from battery acid.



"C" SIZE BATTERY HOLDERS

MOUSER STOCK NO.	Fig.	No. of Cells	Color	Description	Price Each			
					1	25	50	100
12BH211-GR	A	1	Black	6" leads-tinned 3/16"	.74	.61	.561	.509
12BH211D-GR	A	1	Black	Solder tabs	.80	.67	.61	.55
12BH220-GR	B	2	Black	6" leads-tinned 3/16"	1.05	.97	.89	.82
12BH221B-GR	B	2	Black	Mini snaps spaced .50"	1.46	1.22	1.16	1.10
12BH221D-GR	B	2	Black	Solder tabs	1.05	.97	.89	.82
12BH231-GR	C	3	Black	6" leads-tinned 3/16"	1.31	1.09	.991	.90
12BH231A-GR	D	3	Black	6" leads-tinned 3/16"	1.46	1.22	1.16	1.10
12BH231D-GR	D	3	Black	Solder tabs	1.46	1.22	1.16	1.10
12BH241-GR	E	4	Black	6" leads-tinned 3/16"	1.46	1.22	1.16	1.10
12BH241D-GR	E	4	Black	Solder tabs	1.46	1.22	1.16	1.10
12BH242-GR	F	4	Black	6" leads-tinned 3/16"	1.10	1.00	.91	.83
12BH242A-GR	F	4	Black	8" 22AWG leads	1.40	1.26	1.15	1.00
12BH242B-GR	F	4	Black	Mini snaps spaced .50"	1.46	1.22	1.16	1.10
12BH242D-GR	F	4	Black	Solder tabs	1.46	1.22	1.16	1.10
12BH243-GR	G	4	Black	6" leads-tinned 3/16"	1.33	1.19	1.09	.95
12BH243B-GR	G	4	Black	Mini snaps spaced .50"	1.71	1.55	1.48	1.41
12BH262-GR	H	6	Black	6" leads-tinned 3/16"	2.25	1.89	1.75	1.55
12BH261-GR	I	6	Black	Mini snaps spaced .50"	1.71	1.55	1.41	1.28
12BH261A-GR	I	6	Black	8" 22AWG leads	2.50	2.09	1.75	1.45
12BH261D-GR	I	6	Black	Solder tabs	1.87	1.70	1.62	1.54
12BH263-GR	I	6	Black	6" leads-tinned 3/16"	1.71	1.55	1.41	1.28
12BH281-GR	J	8	Black	6" leads-tinned 3/16"	2.25	1.89	1.75	1.55
12BH281B-GR	J	8	Black	Mini snaps spaced .50"	3.51	3.34	3.18	3.03
12BH281D-GR	J	8	Black	Solder tabs	3.51	3.34	3.18	3.03
12BH282-GR	K	8	Black	6" leads-tinned 3/16"	3.03	2.89	2.75	2.62
12BH282B-GR	K	8	Black	Mini snaps spaced .50"	3.03	2.89	2.75	2.62
12BH282D-GR	K	8	Black	Solder tabs	3.03	2.89	2.75	2.62

"D" SIZE BATTERY HOLDERS

MOUSER STOCK NO.	Fig.	No. of Cells	Color	Description	Price Each			
					1	25	50	100
12BH111A-GR	A	1	Black	6" leads-tinned 3/16"	.72	.54	.49	.43
12BH111D-GR	A	1	Black	Solder tabs	.72	.54	.49	.43
12BH121-GR	L	2	Black	Solder tabs	1.19	.99	.93	.84
12BH121A-GR	L	2	Black	8" 24AWG leads	1.31	1.07	.99	.91
12BH121B-GR	L	2	Black	Mini snaps spaced .50"	1.49	1.35	1.23	1.12
12BH125-GR	M	2	Black	6" leads-tinned 3/16"	.77	.61	.56	.49
12BH131-GR	C	3	Black	6" leads-tinned 3/16"	1.44	1.28	1.16	1.05
12BH131B-GR	C	3	Black	Mini snaps spaced .50"	1.87	1.70	1.62	1.54
12BH131D-GR	C	3	Black	Solder tabs	1.87	1.70	1.62	1.54
12BH132A-GR	N	3	Black	6" leads-tinned 3/16"	1.46	1.22	1.16	1.10
12BH132D-GR	N	3	Black	Solder tabs	1.46	1.22	1.16	1.10
12BH141A-GR	O	4	Black	6" leads-tinned 3/16"	1.87	1.70	1.62	1.54
12BH141D-GR	O	4	Black	Solder tabs	1.87	1.70	1.62	1.54
12BH146-GR	P	4	Black	6" leads-tinned 3/16"	1.34	1.22	1.11	1.01
12BH142A-GR	P	4	Black	8" 22AWG leads	1.34	1.22	1.11	1.01
12BH142B-GR	P	4	Black	Mini snaps spaced .50"	1.87	1.70	1.62	1.54
12BH142D-GR	P	4	Black	Solder tabs	1.87	1.70	1.62	1.54
12BH143A-GR	Q	4	Black	6" leads-tinned 3/16"	2.37	2.15	2.05	1.95
12BH143D-GR	Q	4	Black	Solder tabs	2.37	2.15	2.05	1.95
12BH144A-GR	R	4	Black	6" leads-tinned 3/16"	2.15	1.95	1.77	1.61
12BH145A-GR	S	4	Black	6" leads-tinned 3/16"	1.71	1.55	1.48	1.41
12BH145D-GR	S	4	Black	Solder tabs	1.71	1.55	1.48	1.41
12BH160-GR	T	6	Black	6" leads-tinned 3/16"	3.07	2.79	2.54	2.31
12BH161B-GR	T	6	Black	Mini snaps spaced .50"	3.11	2.85	2.77	2.69
12BH161D-GR	T	6	Black	Solder tabs	3.11	2.85	2.77	2.69
12BH162A-GR	U	6	Black	6" leads-tinned 3/16"	1.69	1.45	1.39	1.19
12BH162B-GR	U	6	Black	Mini snaps spaced .50"	1.69	1.45	1.39	1.19
12BH162D-GR	U	6	Black	Solder tabs	3.07	2.79	2.54	2.42
12BH163-GR	V	6	Black	Mini snaps spaced .50"	3.61	3.15	2.73	1.88
12BH181-GR	W	8	Black	6" leads-tinned 3/16"	3.25	2.95	2.69	2.45
12BH181A-GR	W	8	Black	6" leads-tinned 3/16"	3.51	3.34	3.18	3.03
12BH181D-GR	W	8	Black	Solder tabs	3.51	3.34	3.18	3.03
12BH182A-GR	X	8	Black	6" leads-tinned 3/16"	3.51	3.34	3.18	3.03
12BH182B-GR	X	8	Black	Mini snaps spaced .50"	3.51	3.34	3.18	3.03
12BH182D-GR	X	8	Black	Solder tabs	3.51	3.34	3.18	3.03