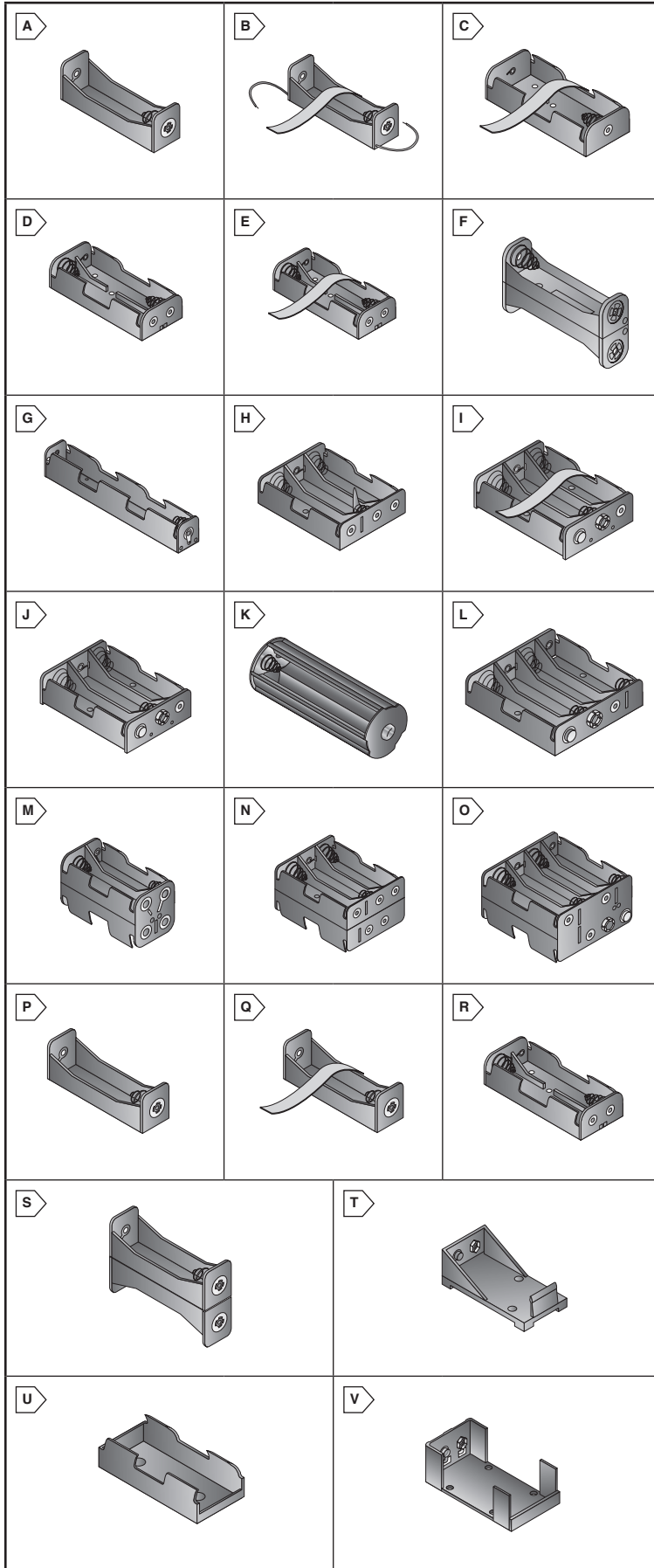


EAGLE PLASTIC DEVICES Battery Holders



RoHS Compliant **This product is RoHS compliant.**

Battery holders are constructed using an "unbreakable" type plastic. Nickel-plated hardware provides excellent corrosion resistance from battery acid.



"AAA" SIZE BATTERY HOLDERS

MOUSER STOCK NO.	Fig.	No. of Cells	Color	Description	Price Each			
					1	25	50	100
12BH410-GR	A	1	Black	6" leads-tinned 3/16"	.66	.53	.48	.44
12BH410-R-GR	B	1	Black	6" leads with ribbon	.78	.72	.582	.451
12BH411P-R-GR	C	1	Black	PC legs with ribbon	.66	.53	.48	.44
12BH412-GR	A	1	Black	PC mount-solder legs	.48	.40	.366	.333
122-0421-GR	D	2	Black	6" leads-tinned 3/16"	.73	.65	.59	.54
122-0421-R-GR	E	2	Black	6" leads with ribbon	.76	.69	.63	.57
12BH421-GR	D	2	Black	Solder tabs	.80	.67	.61	.55
12BH422A-GR	F	2	Black	6" leads-tinned 3/16"	1.07	.89	.74	.59
12BH422D-GR	F	2	Black	Solder tabs	1.07	.89	.74	.59
12BH423-GR	D	2	Black	PC mount-solder legs	.72	.65	.58	.51
12BH423P-R-GR	E	2	Black	PC legs with ribbon	.80	.73	.66	.60
12BH425-GR	G	2	Black	6" leads-tinned 3/16"	.66	.53	.48	.44
12BH425D-GR	G	2	Black	Solder tabs	.69	.65	.58	.51
12BH431-GR	H	3	Black	6" leads-tinned 3/16"	.89	.85	.72	.49
12BH431P-GR	H	3	Black	PC mount-solder legs	1.02	.94	.76	.59
12BH431P-R-GR	I	3	Black	PC legs with ribbon	3.24	2.99	2.74	2.53
12BH431B-GR	J	3	Black	Mini snaps spaced .50"	.89	.85	.72	.49
12BH432A-GR	K	3	Black	Battery buttons	.84	.70	.643	.587
12BH441P-GR	L	4	Black	PC mount-solder legs	.99	.94	.76	.53
12BH441A-GR	L	4	Black	6" leads-tinned 3/16"	.99	.94	.76	.53
12BH441B-GR	L	4	Black	Mini snaps spaced .50"	.99	.94	.76	.53
12BH441D-GR	L	4	Black	Solder tabs	.99	.94	.76	.53
12BH443B-GR	M	4	Black	Mini snaps spaced .50"	1.16	.89	.81	.74
12BH443D-GR	M	4	Black	Solder tabs	1.16	.89	.81	.74
12BH444-GR	M	4	Black	6" leads-tinned 3/16"	.67	.62	.53	.48
12BH463-GR	N	6	Black	6" leads-tinned 3/16"	1.38	1.25	1.14	1.04
12BH463B-GR	N	6	Black	Mini snaps spaced .50"	1.49	1.35	1.23	1.12
12BH463D-GR	N	6	Black	Solder tabs	1.49	1.35	1.23	1.12
12BH483-GR	O	8	Black	6" leads-tinned 3/16"	1.49	1.35	1.23	1.12
12BH483B-GR	O	8	Black	Mini snaps spaced .50"	1.68	1.53	1.39	1.26
12BH483D-GR	O	8	Black	Solder tabs	1.68	1.53	1.39	1.26

"N" SIZE BATTERY HOLDERS



MOUSER STOCK NO.	Fig.	No. of Cells	Color	Description	Price Each			
					1	25	50	100
12BH510-GR	P	1	Black	6" leads-tinned 3/16"	.68	.64	.61	.48
12BH511-GR	P	1	Black	Solder tabs	.68	.64	.61	.48
12BH512-GR	P	1	Black	PC mount-solder legs	.53	.51	.45	.407
12BH511P-GR	P	1	Black	PC mount-solder legs	.68	.64	.61	.48
12BH511-1A-GR	P	1	Black	6" leads-tinned 3/16"	.68	.64	.61	.48
12BH511P-R-GR	Q	1	Black	PC legs with ribbon	.75	.67	.63	.54
12BH521A-GR	R	2	Black	6" leads-tinned 3/16"	.68	.64	.61	.48
12BH521D-GR	R	2	Black	Solder tabs	.68	.64	.61	.48
12BH521P-GR	R	2	Black	PC mount-solder legs	.72	.67	.647	.509
12BH522A-GR	S	2	Black	6" leads-tinned 3/16"	1.00	.94	.879	.752

"9V" SIZE BATTERY HOLDERS

- Number of Cells: 1
- Color: Black



MOUSER STOCK NO.	Fig.	Description	Price Each			
			1	25	50	100
12BH610-GR	T	6" leads-tinned 3/16"	1.05	.97	.89	.82
12BH611-GR	T	PC mount-solder legs	1.05	.97	.89	.82
12BH612-GR	T	Solder tabs	1.05	.97	.89	.82
12BH613-GR	U	No leads cradle only	.30	.25	.233	.213
12BH614A-GR	V	6" leads-tinned 3/16"	1.05	.97	.89	.82
12BH615D-GR	V	Solder tabs	1.05	.97	.89	.82
12BH616P-GR	V	PC mount-solder legs	1.05	.97	.89	.82
12BH617T-GR	V	Terminal	1.05	.97	.89	.82