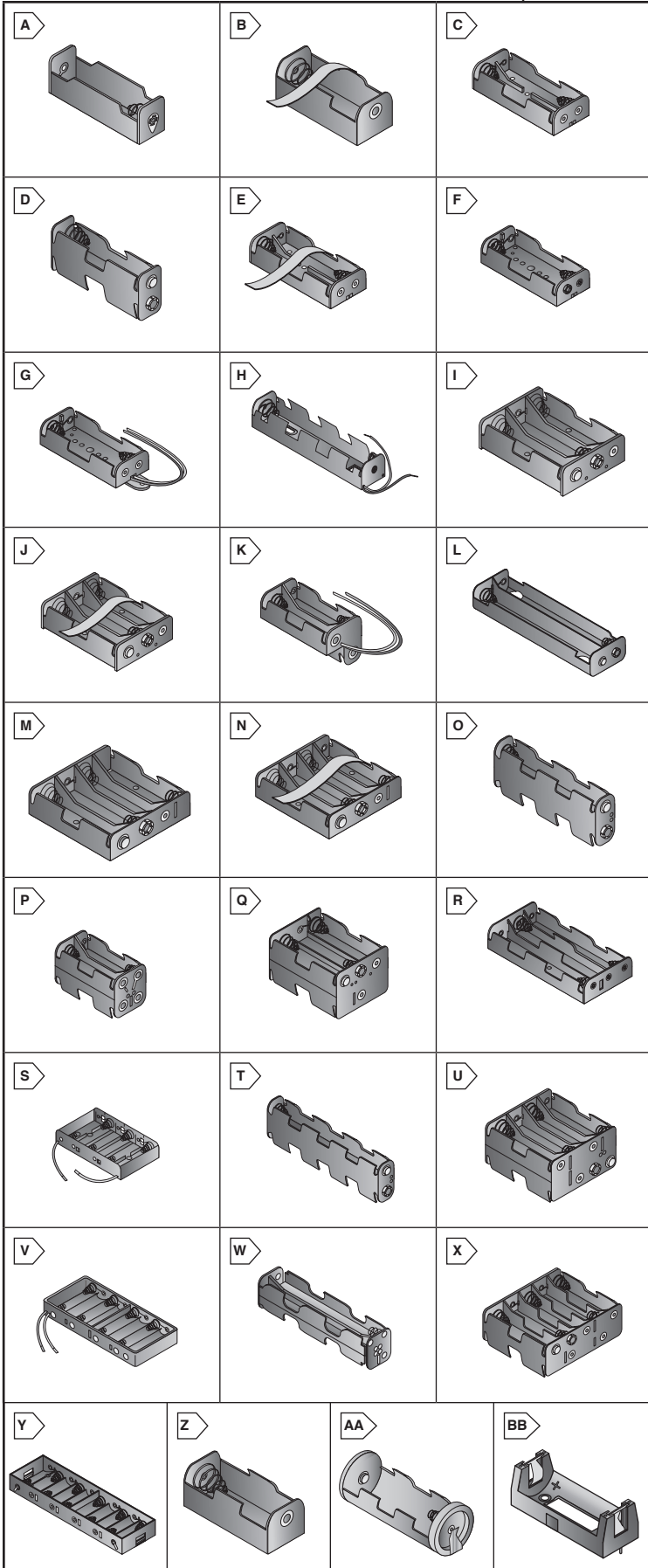


EAGLE PLASTIC DEVICES Battery Holders



RoHS Compliant This product is RoHS compliant.

Battery holders are constructed using an "unbreakable" type plastic. Nickel-plated hardware provides excellent corrosion resistance from battery acid.



"AA" SIZE BATTERY HOLDERS

MOUSER STOCK NO.	Fig.	No. of Cells	Color	Description	Price Each			
					1	25	50	100
12BH311A-GR	A	1	Black	6" leads-tinned 3/16"	.63	.52	.424	.347
12BH311A-R-GR	B	1	Black	6" leads with ribbon	.82	.72	.624	.476
12BH311P-GR	A	1	Black	PC mount-solder legs	.69	.62	.56	.34
12BH311P-R-GR	B	1	Black	PC legs with ribbon	.75	.67	.63	.41
12BH311-GR	A	1	Black	Solder tabs	.69	.62	.56	.34
12BH311-R-GR	B	1	Black	Solder tabs with ribbon	.75	.67	.63	.41
12BH212A-GR	C	2	Black	6" leads-tinned 3/16"	1.32	1.10	1.00	.91
12BH212P-GR	C	2	Black	PC mount-solder legs	1.32	1.10	1.00	.91
12BH222-GR	D	2	Black	6" leads-tinned 3/16"	.73	.66	.621	.404
12BH322D-GR	D	2	Black	Mini snaps spaced .50"	.75	.67	.63	.41
12BH322D-GR	D	2	Black	Solder tabs	.69	.62	.56	.49
12BH324A-GR	C	2	Black	6" leads-tinned 3/16"	.75	.67	.63	.41
12BH321P-GR	C	2	Black	PC mount-solder legs	.75	.67	.63	.41
12BH321P-R-GR	E	2	Black	PC legs with ribbon	.83	.76	.64	.45
12BH321B-GR	F	2	Black	Mini snaps spaced .50"	.75	.67	.63	.41
12BH321D-GR	C	2	Black	Solder tabs	.75	.67	.63	.41
12BH321A-GR	G	2	Black	6" leads-tinned 3/16"	.57	.47	.393	.345
12BH325A-GR	H	2	Black	6" leads-tinned 3/16"	.69	.62	.56	.42
12BH331-GR	I	3	Black	6" leads-tinned 3/16"	1.06	.88	.73	.61
12BH331-R-GR	J	3	Black	6" leads with ribbon	1.27	1.06	.88	.73
12BH331P-GR	I	3	Black	PC mount-solder legs	1.10	.92	.77	.64
12BH331P-R-GR	J	3	Black	PC legs with ribbon	1.27	1.06	.88	.73
12BH331B-GR	I	3	Black	Mini snaps spaced .50"	1.17	1.10	1.05	.826
12BH331D-GR	I	3	Black	Solder tabs	1.02	.93	.842	.765
12BH335-GR	K	3	Black	6" leads-tinned 3/16"	.99	.88	.75	.56
12BH343-GR	L	4	Black	6" leads-tinned 3/16"	1.11	.97	.84	.58
12BH348-GR	M	4	Black	6" leads-tinned 3/16"	1.11	.97	.84	.64
12BH348-R-GR	N	4	Black	6" leads with ribbon	1.30	1.08	.90	.75
12BH349-GR	M	4	Black	PC mount-solder legs	.77	.64	.589	.536
12BH341P-R-GR	N	4	Black	PC legs with ribbon	1.30	1.08	.90	.75
12BH351-GR	M	4	Black	Solder tabs	1.11	.97	.84	.64
12BH351-R-GR	N	4	Black	Solder tabs with ribbon	1.30	1.08	.90	.75
12BH347-GR	M	4	Black	Mini snaps spaced .50"	1.12	.90	.819	.75
12BH347-R-GR	N	4	Black	Mini snaps with ribbon	1.30	1.08	.90	.75
12BH341-GR	O	4	Black	Mini snaps spaced .50"	.84	.71	.56	.52
12BH342A-GR	O	4	Black	6" leads-tinned 3/16"	.80	.73	.66	.60
12BH342D-GR	O	4	Black	Solder tabs	.80	.73	.66	.60
12BH350-GR	P	4	Black	6" leads-tinned 3/16"	1.11	.97	.84	.64
12BH343B-GR	P	4	Black	Mini snaps spaced .50"	1.11	.97	.84	.58
12BH343D-GR	P	4	Black	Solder tabs	1.00	.83	.75	.68
12BH344B-GR	L	4	Black	Mini snaps spaced .50"	1.11	.97	.84	.58
12BH344D-GR	L	4	Black	Solder tabs	1.11	.97	.84	.58
12BH361-GR	Q	6	Black	Mini snaps spaced .50"	1.46	1.22	1.16	1.10
12BH363A-GR	Q	6	Black	6" leads-tinned 3/16"	1.46	1.22	1.16	1.10
12BH363D-GR	Q	6	Black	Solder tabs	1.46	1.22	1.16	1.10
12BH361A-GR	R	6	Black	6" leads-tinned 3/16"	1.82	1.52	1.27	1.13
12BH361B-GR	R	6	Black	Mini snaps spaced .50"	1.82	1.52	1.27	1.13
12BH361D-GR	R	6	Black	Solder tabs	1.82	1.52	1.27	1.13
12BH364-GR	S	6	Black	6" leads-tinned 3/16"	1.82	1.52	1.27	1.06
12BH326-GR	L	6	Black	6" leads-tinned 3/16"	1.53	1.33	1.15	.882
12BH365-GR	T	6	Black	Mini snaps spaced .50"	1.66	1.38	1.15	.96
12BH365A-GR	T	6	Black	6" leads-tinned 3/16"	1.36	1.19	1.08	.98
12BH365D-GR	T	6	Black	Solder tabs	1.36	1.19	1.08	.98
12BH381-GR	U	8	Black	Mini snaps spaced .50"	1.76	1.25	1.17	1.04
12BH383-GR	U	8	Black	6" leads-tinned 3/16"	1.38	1.19	1.10	1.05
12BH383D-GR	U	8	Black	Solder tabs	1.71	1.55	1.48	1.41
12BH381A-GR	V	8	Black	6" leads-tinned 3/16"	2.63	2.42	1.96	1.52
12BH382A-GR	W	8	Black	6" leads-tinned 3/16"	1.36	1.13	.94	.78
12BH382B-GR	W	8	Black	Mini snaps spaced .50"	1.36	1.13	.94	.78
12BH382D-GR	W	8	Black	Solder tabs	1.36	1.19	1.08	.98
12BH310-GR	X	10	Black	Mini snaps spaced .50"	3.02	2.64	2.29	1.58
12BH310A-GR	X	10	Black	6" leads-tinned 3/16"	1.85	1.54	1.40	1.27
12BH310B-GR	X	10	Black	Mini snaps spaced .50"	1.68	1.53	1.39	1.26
12BH310D-GR	X	10	Black	Solder tabs	1.68	1.53	1.39	1.26
12BH309-GR	Y	10	Black	Solder tabs	2.36	1.97	1.79	1.63
12BH101A-GR	Y	10	Black	6" leads-tinned 3/16"	2.37	2.15	2.05	1.95

"1/2 AA" SIZE BATTERY HOLDERS



MOUSER STOCK NO.	Fig.	No. of Cells	Color	Description	Price Each			
					1	25	50	100
12BH1/2AA-2A-GR	Z	1	Black	6" leads-tinned 3/16"	.77	.69	.64	.53
12BH1/2AA-2P-GR	Z	1	Black	PC mount-solder legs	.61	.55	.505	.46
12BH1/2AA-3S-GR	AA	1	Black	Rivets w/Switch	.77	.69	.64	.53

"2/3 A" SIZE BATTERY HOLDERS



MOUSER STOCK NO.	Fig.	No. of Cells	Color	Description	Price Each			
					1	25	50	100
12BH023-GR	BB	1	Black	PC mount-solder legs	.76	.69	.63	.57