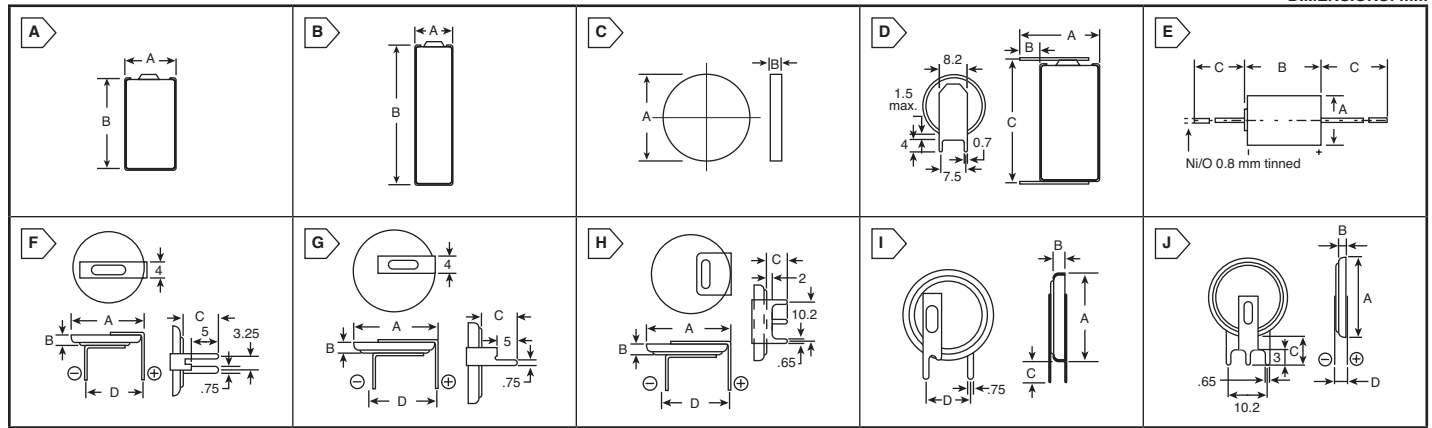


# Lithium Batteries and Holders

DIMENSIONS: mm



## FDK 3V LITHIUM COIN AND CYLINDRICAL CELLS

Dimensions:  
 A-Diameter of Cell  
 B-Height/Thickness of Cell  
 C-Lead Length  
 D-Lead Spacing

For quantities greater than listed, call for quote.

MOUSER STOCK NO.	Fig.	Capacity mAh	Dimensions: mm				Price Each		
			A	B	1	10	50		
<b>Cylindrical Cells</b>									
639-CR14250SE	A	850	14.5	25.0	5.88	5.35	4.86		
639-CR12600SE	B	1500	12.0	60.0	9.98	9.08	8.25		
639-CR17450SE	A	2500	17.0	45.0	11.44	10.40	9.45		
<b>Coin Cells</b>									
639-CR1220	C	35	12.5	2.0	1.38	1.20	1.09		
639-CR2016	C	80	20.0	1.6	.61	.49	.40		
639-CR2025	C	160	20.0	2.5	.61	.49	.40		
639-CR2032	C	220	20.0	3.2	.61	.49	.40		
639-CR2430	C	280	24.5	3.0	1.99	1.73	1.57		

For quantities greater than listed, call for quote.

MOUSER STOCK NO.	Fig.	Capacity mAh	Dimensions: mm				Price Each		
			A	B	C	D	1	10	50
<b>Cylindrical Cells with PC Pins</b>									
639-CR14250SET-FT	E	850	14.5	5.5	25.5	-	8.22	7.89	7.73
639-CR14250SET-SP1	D	850	14.5	25.0	35.0	-	6.84	5.95	5.41
639-CR17335SET-FT	D	1800	17.0	5.5	34.0	-	9.74	8.47	7.70
<b>Coin Cells with PC Pins</b>									
639-CR1220-P1	F	35	14.0	2.0	6.5	10.0	1.78	1.55	1.41
639-CR2032-T141	G	190	21.5	3.2	6.5	20.5	1.94	1.69	1.54
639-CR2032-P51	G	190	21.0	3.2	9.0	15.2	2.02	1.76	1.60
639-CR2032-FT1	H	190	21.0	3.2	6.0	15.2	1.94	1.69	1.54
639-CR2032-T92	I	190	20.5	3.2	4.5	10.5	1.94	1.69	1.54
639-CR2032-FT42	J	190	20.5	3.2	5.0	3.4	2.02	1.76	1.60
639-CR2430-P1-2	G	280	25.5	3.0	6.5	20.3	2.30	2.00	1.82
639-CR2430-P22	I	280	25.0	3.0	4.5	10.5	2.30	2.00	1.82
639-CR2430-FT42	J	280	25.0	3.0	5.0	3.2	2.30	2.00	1.82
639-CR2450-P22	G	500	25.5	5.0	6.5	20.3	2.17	2.05	1.66
639-CR2450-FT1	H	500	25.5	5.0	5.0	17.8	4.85	4.21	3.84

## renata 3V LITHIUM PC MOUNT COIN CELLS

Horizontal

For quantities greater than listed, call for quote.

MOUSER STOCK NO.	Fig.	Nominal Capacity (mAh)	Dimensions: mm				Price Each			
			A	B	C	D	1	10	50	100
<b>Two Pin</b>										
614-CR1220MFR-FH	G	38	12.7	2.8	3.9	11.0	1.43	1.30	1.25	1.20
614-CR1225FH-LF	G	48	12.7	3.3	3.9	11.0	1.50	1.40	1.32	1.26
614-CR2025FH-MFR-LF	G	170	20.2	3.3	3.9	15.2	1.48	1.41	1.35	1.30
614-CR2032FH-MFR	G	235	20.2	3.9	3.9	15.2	1.43	1.36	1.31	1.26
614-CR2325FH-LF	G	190	23.2	3.3	3.9	20.4	1.94	1.64	1.41	1.31
614-CR2450NFH-LF	G	540	24.7	5.8	3.9	20.4	2.20	2.00	1.85	1.67
614-CR2477NFH-LF	G	950	24.7	8.5	3.9	20.4	4.13	3.59	3.43	3.25
<b>Three Pin</b>										
614-CR2032RH-MFR	H	235	20.2	5.45	4.0	15.2	1.35	1.29	1.24	1.19
614-CR2450NRH-LF	H	540	24.7	7.35	4.0	17.8	2.20	2.00	1.85	1.67

Vertical

For quantities greater than listed, call for quote.

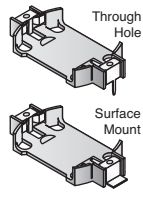
MOUSER STOCK NO.	Fig.	Nominal Capacity (mAh)	Dimensions: mm				Price Each			
			A	B	C	D	1	10	50	100
<b>Two Pin</b>										
614-CR1225FV-LF	I	48	12.5	2.5	4.0	5.1	1.39	1.31	1.24	1.18
614-CR2032FV-MFR	I	235	20.0	3.2	4.0	10.5	1.48	1.41	1.35	1.30
614-CR2325FV-LF	I	190	23.0	2.5	4.0	10.5	2.08	1.76	1.51	1.40
614-CR2450NFV-LF	I	540	24.5	5.0	4.0	10.5	1.95	1.78	1.64	1.50
614-CR2477NFV-LF	I	950	24.5	7.7	4.0	10.5	3.58	3.12	2.97	2.82
<b>Three Pin</b>										
614-CR2025RV-MFR-LF	J	170	20.0	2.5	4.0	2.8	1.48	1.40	1.36	1.30
614-CR2032RV-MFR-LF	J	235	20.0	3.2	4.0	3.5	1.43	1.36	1.31	1.26
614-CR2325RV-LF	J	190	23.0	2.5	4.0	2.8	1.58	1.50	1.44	1.35
614-CR2450NRV-LF	J	540	24.5	5.0	4.0	5.3	2.20	2.00	1.85	1.67

## renata BUTTON CELL BATTERY HOLDERS

Positive Retention of Battery • Safety Against Inverse Polarity and Leak Currents  
 Holder Material: Heat Resistant, Glass-Fiber Filled LCP  
 Contacts: Nickel Plated Stainless Steel

For quantities greater than listed, call for quote.

Through Hole MOUSER STOCK NO.	Surface Mount MOUSER STOCK NO.	For Use With	Price Each			
			1	10	50	100
614-HU1225-LF	614-SMTU1225-LF	CR1225	.85	.772	.729	.686
614-HU2032-LF	614-SMTU2032-LF	CR2032	1.06	.959	.907	.855
614-HU2430-LF	-----	CR2430	1.10	.963	.942	.88
614-HU2450-LF	614-SMTU2450-LF	CR2450N	.88	.787	.746	.706
614-HU2477N-LF	614-SMTU2477N-LF	CR2477N	.92	.826	.784	.732



## renata 3V LITHIUM COIN CELLS

• For Electronic Devices and Memory Back-Up



Blister Card

MOUSER STOCK NO.	Nom. Cap. (mAh)	Dimensions: mm		Price Each		
		A	B	1	10	50
614-CR1025	30	10.0	2.5	1.03	.98	.93
614-CR1216	30	12.5	1.6	1.08	1.03	.98
614-CR1220	48	12.5	2.0	.82	.78	.75
614-CR1225	48	12.5	2.5	.98	.938	.886
614-CR1616	50	16.0	1.6	.82	.78	.75
614-CR1620	68	16.0	2.0	.82	.78	.75
614-CR1632	137	16.0	3.2	1.85	1.76	1.67
614-CR2016-MFR	90	20.0	1.6	1.00	.95	.91
614-CR2025-MFR	165	20.0	2.5	.60	.58	.56
614-CR2032-MFR	225	20.0	3.2	.82	.78	.75
614-CR2320	150	23.0	2.0	1.29	1.23	1.18
614-CR2325	190	23.0	2.5	1.41	1.35	1.27
614-CR2430	285	24.5	3.0	1.57	1.49	1.42
614-CR2450N	540	24.5	5.0	2.20	2.09	1.99
614-CR2477N	950	24.5	7.7	2.90	2.77	2.64

Bulk Package

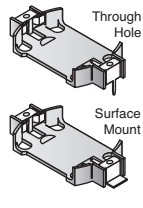
MOUSER STOCK NO.	Qty. Per Case	Price Ea. Case		MOUSER STOCK NO.	Qty. Per Case	Price Ea. Case	
		1	5			1	5
614-CR1616.IB	200	130.54	122.07	614-CR2450N-200	200	179.20	166.40
614-CR2032-200	200	47.60	44.20	614-CR2477N-150	150	264.60	245.70

## renata VERTICAL BATTERY HOLDER

Positive Retention of Battery • Safety Against Inverse Polarity and Leak Currents  
 Holder Material: Heat Resistant, Glass-Fiber Filled LCP  
 Contacts: Nickel Plated Stainless Steel

For quantities greater than listed, call for quote.

MOUSER STOCK NO.	For Use With	Price Each			
		1	10	50	100
614-NH5077-LF	CR2450N or CR2477N	3.52	3.17	2.99	2.64
614-VBH2032-1	CR2032	.98	.877	.774	.65



## renata VERTICAL BATTERY HOLDER

• Safety Against Short Circuits, Inverse Polarity and Leak Currents  
 • Easy and Fast Battery Replacement

For quantities greater than listed, call for quote.

MOUSER STOCK NO.	For Use With	Price Each			
		1	10	50	100
614-NH5077-LF	CR2450N or CR2477N	3.52	3.17	2.99	2.64
614-VBH2032-1	CR2032	.98	.877	.774	.65

