

MEAN WELL Open Frame Switching Power Supplies

MEAN WELL 30-60W SINGLE OUTPUT LED POWER SUPPLY WITH PFC FUNCTION

Features:

- Short circuit, Overload, and Overvoltage protection
- Suitable for LED lighting and moving sign applications
- No minimum load requirement
- Built-in active PFC function
- Cooling by free air convection

Specifications:

- Universal Input: 90-264VAC
- AC Input Frequency: 47-63Hz



For quantities greater than listed, call for quote.

MOUSER STOCK NO.	Mean Well Part No.	Fig.	Output Voltage	Output Current	Power	Dimensions: mm			Price Each		
						L	W	H	1	25	100
709-PLP30-12	PLP-30-12	A	12V	2.5A	30W	101.6	50.8	23	30.15	27.60	25.53
709-PLP30-24	PLP-30-24	A	24V	1.3A	31.2W	101.6	50.8	23	30.15	27.60	25.53
709-PLP30-48	PLP-30-48	A	48V	.63A	30.24W	101.6	50.8	23	30.15	27.60	25.53
709-PLP45-12	PLP-45-12	A	12V	3.8A	45.6W	101.6	50.8	28	31.95	28.80	26.64
709-PLP45-24	PLP-45-24	A	24V	1.9A	45.6W	101.6	50.8	28	31.95	28.80	26.64
709-PLP45-48	PLP-45-48	A	48V	0.95A	45.6W	101.6	50.8	28	31.95	28.80	26.64
709-PLP60-12	PLP-60-12	A	12V	5A	60W	101.6	50.8	28	33.42	30.40	28.12
709-PLP60-24	PLP-60-24	A	24V	2.5A	60W	101.6	50.8	28	33.42	30.40	28.12
709-PLP60-48	PLP-60-48	A	48V	1.3A	62.5W	101.6	50.8	28	33.42	30.40	28.12

MEAN WELL 60-100W DUAL OUTPUT WITH BATTERY CHARGER (UPS FUNCTION) POWER SUPPLY

Features:

- Short circuit, Overload, and Overvoltage protection
- Battery low protections / Battery polarity protection by fuse
- Cooling by free air convection
- Universal Input: 90-264VAC
- AC Input Frequency: 47-63Hz



For quantities greater than listed, call for quote.

MOUSER STOCK NO.	Mean Well Part No.	Fig.	Output Voltage	Output Current	Power	Dimensions: mm			Price Each		
						L	W	H	1	25	100
709-PSC60A	PSC-60A	B	13.8V 13.8V	2.8A 1.5A	59.34W	101.6	50.8	29	33.44	30.40	28.73

MEAN WELL 30-45W DC-DC SINGLE OUTPUT SWITCHING POWER SUPPLY

Features:

- 2:1 wide input range
- Short circuit, Overload, Overvoltage, Polarity protection
- Built-in EMI filter, low ripple noise
- 100% full load burn-in test



For quantities greater than listed, call for quote.

MOUSER STOCK NO.	Mean Well Part No.	Fig.	Input Range	Output Voltage	Output Current	Power	Dimensions: mm			Price Each		
							L	W	H	1	25	100
709-PSD30A-5	PSD-30A-5	B	9-18VDC	5V	5A	25W	101.6	50.8	30	19.60	18.13	16.66
709-PSD30B-5	PSD-30B-5	B	18-36VDC	5V	5A	25W	101.6	50.8	30	19.60	18.13	16.66
709-PSD30C-5	PSD-30C-5	B	36-72VDC	5V	5A	25W	101.6	50.8	30	19.60	18.13	16.66
709-PSD30A-12	PSD-30A-12	B	9-18VDC	12V	2.5A	30W	101.6	50.8	30	19.60	18.13	16.66
709-PSD30B-12	PSD-30B-12	B	18-36VDC	12V	2.5A	30W	101.6	50.8	30	19.60	18.13	16.66
709-PSD30C-12	PSD-30C-12	B	36-72VDC	12V	2.5A	30W	101.6	50.8	30	19.20	17.76	16.32
709-PSD30A-24	PSD-30A-24	B	9-18VDC	24V	1.25A	30W	101.6	50.8	30	19.60	18.13	16.66
709-PSD30B-24	PSD-30B-24	B	18-36VDC	24V	1.25A	30W	101.6	50.8	30	19.20	17.76	16.32
709-PSD30C-24	PSD-30C-24	B	36-72VDC	24V	1.25A	30W	101.6	50.8	30	19.60	18.13	16.66
709-PSD45B-05	PSD-45B-05	C	18-36VDC	5V	9A	45W	127	76	30	22.20	20.40	19.56
709-PSD45C-05	PSD-45C-05	C	37-72VDC	5V	9A	45W	127	76	30	22.20	20.40	19.56
709-PSD45A-12	PSD-45A-12	C	9.2-18VDC	12V	2.5A	30W	127	76	30	22.20	20.40	19.56
709-PSD45B-12	PSD-45B-12	C	18-36VDC	12V	3.75A	45W	127	76	30	22.20	20.40	19.56
709-PSD45C-12	PSD-45C-12	C	37-72VDC	12V	3.75A	45W	127	76	30	22.20	20.40	19.56
709-PSD45C-24	PSD-45C-24	C	37-72VDC	24V	1.875A	45W	127	76	30	22.20	20.40	19.56

MEAN WELL 35-75W SINGLE OUTPUT SWITCHING POWER SUPPLY

Features:

- Universal AC input/Full range
- Protections: Short circuit/Overload/Overvoltage/ Battery polarity protections (by use)
- LED indicator for power on
- No load power consumption <0.75W



For quantities greater than listed, call for quote.

MOUSER STOCK NO.	Mean Well Part No.	Fig.	Output Voltage	Output Current	Power	Dimensions: mm			Price Each		
						L	W	H	1	25	100
709-SCP35-12	SCP35-12	D	13.8VDC	2.6 A	35.9W	99.0	97.0	36.0	31.10	25.16	20.77
709-SCP35-24	SCP35-24	D	27.6VDC	1.4A	38.6W	99.0	97.0	36.0	32.25	26.09	21.53
709-SCP50-12	SCP50-12	D	13.8VDC	3.6A	49.7W	129.0	98.0	38.0	35.71	28.89	23.85
709-SCP50-24	SCP50-24	D	27.6VDC	1.8A	49.7W	129.0	98.0	38.0	35.71	28.89	23.85
709-SCP75-12	SCP75-12	D	13.8VDC	5.4A	74.5W	159.0	97.0	38.0	40.90	33.08	27.31
709-SCP75-24	SCP75-24	D	27.6VDC	2.7A	74.5W	159.0	97.0	38.0	42.05	34.01	28.07

MEAN WELL 30W-120W SINGLE OUTPUT MEDICAL SWITCHING POWER SUPPLY

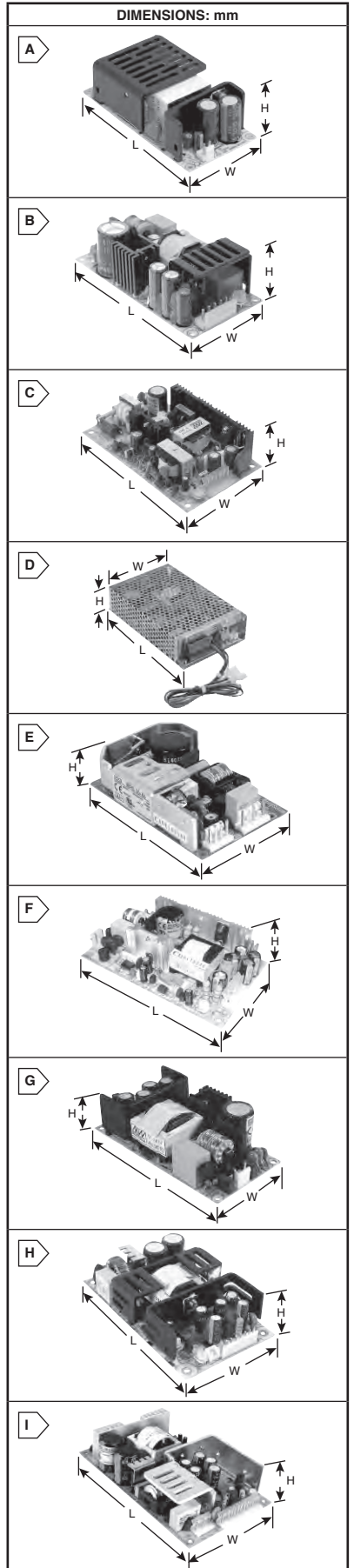
Features:

- Short circuit, overload, and overvoltage protection
- Compliance to EN55011 Class B, EN61000-3-2 and EN60601-1-2 Medical level



For quantities greater than listed, call for quote.

MOUSER STOCK NO.	Mean Well Part No.	Fig.	Output Voltage	Output Current	Power	Dimensions: mm			Price Each		
						L	W	H	1	10	20
• Universal Input: 88-264VAC • AC Input Frequency: 47-63Hz											
709-MPS30-5	MPS-30-5	E	5V	5A	25W	101.6	65.8	23.5 (max)	32.62	28.00	27.30
709-MPS30-12	MPS-30-12	E	12V	2.5A	30W	101.6	65.8	23.5 (max)	32.62	28.00	27.30
• Universal Input: 90-264VAC • AC Input Frequency: 47-63Hz											
709-RPS60-12	RPS-60-12	F	12V	5A	60W	101.6	50.8	29	41.40	37.26	33.53
709-RPS60-15	RPS-60-15	F	15V	4A	60W	101.6	50.8	29	41.40	37.26	33.53
709-RPS60-24	RPS-60-24	F	24V	2.5A	60W	101.6	50.8	29	41.40	37.26	33.53
• Universal Input: 90-264VAC • AC Input Frequency: 47-440Hz											
709-MPS65-12	MPS-65-12	G	12V	5.2A	62.4W	127	76	42	34.41	31.50	28.55
709-MPS65-24	MPS-65-24	G	24V	2.7A	64.8W	127	76	42	34.41	31.50	28.55
709-MPS65-48	MPS-65-48	G	48V	1.35A	64.8W	127	76	42	34.41	31.50	28.55
• Universal Input: 90-264VAC • AC Input Frequency: 47-63Hz											
709-RPS75-12	RPS-75-12	H	12V	6.3A	75.6W	127	76.2	31	46.90	40.26	39.25
709-RPS75-24	RPS-75-24	H	24V	3.2A	76.8W	127	76.2	31	46.90	40.26	39.25
709-RPS75-48	RPS-75-48	H	48V	1.6A	76.8W	127	76.2	31	46.90	40.26	39.25
• Universal Input: 90-264VAC • AC Input Frequency: 47-440Hz											
709-MPS200-24	MPS-200-24	I	24V	8.4A	200W	177.8	107.2	35.5	115.00	109.00	100.37



Power Supplies
 Mean Well