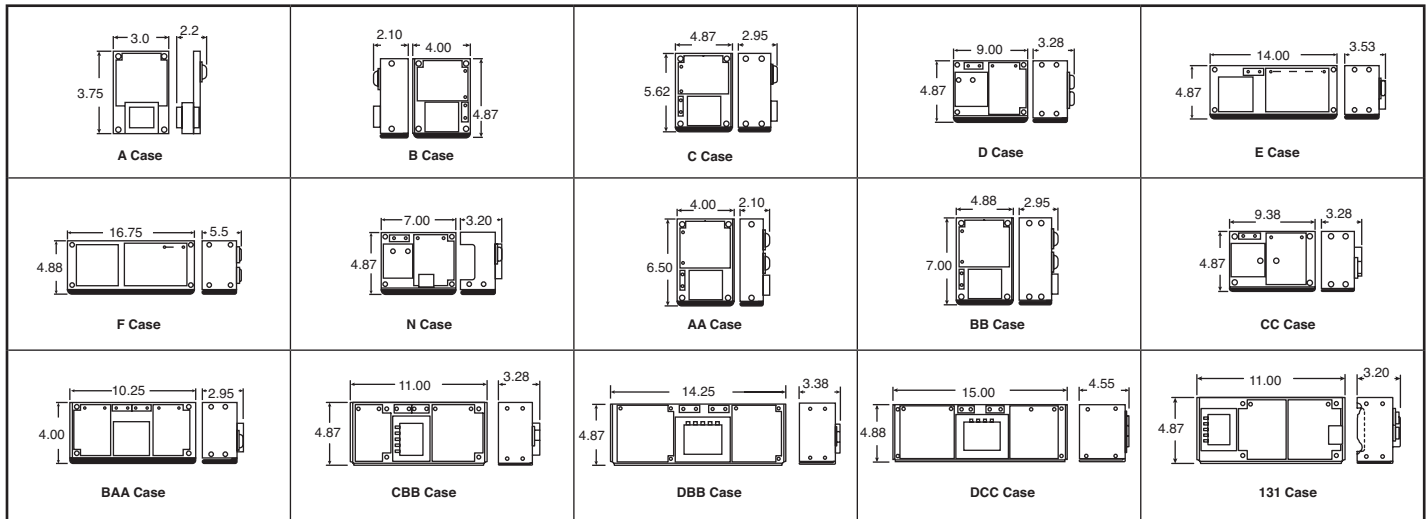


# INTERNATIONAL POWER Linear DC Power Supplies



DIMENSIONS: in.



## INTERNATIONAL POWER LINEAR DC POWER SUPPLIES

### Single Output Models

MOUSER STOCK NO.	Case Style	Output #1	Price Each	
			1	10
597-A5-1.2/P	A	5V @ 1.2A	42.56	40.43
597-A5-1.5/P	B	5V @ 1.5A	42.55	40.42
597-B5-3/P	B	5V @ 3A	42.54	40.43
597-C5-6/P	C	5V @ 6A	70.73	67.19
597-N5-9/P	N	5V @ 9A	96.60	91.77
597-D5-12/P	D	5V @ 12A	109.82	104.34
597-E5-18/P	E	5V @ 18A	154.94	147.19
597-F5-25/P	F	5V @ 25A	253.73	241.05
597-B12-1.7	B	12V @ 1.7A	42.55	40.42
597-C12-3.4	C	12V @ 3.4A	64.98	61.74
597-N12-5.1	N	12V @ 5.1A	90.85	86.31
597-D12-6.8	D	12V @ 6.8A	102.92	97.78
597-E12-10.2	E	12V @ 10.2A	143.44	136.27
597-A15-0.5	A	12V-15V @ 0.5A	42.56	40.43
597-A15-0.9	B	12V-15V @ 0.9A	42.55	40.42
597-B15-1.5	B	15V @ 1.5A	42.54	40.43
597-C15-3.0	C	15V @ 3A	64.98	61.74
597-N15-4.5	N	15V @ 4.5A	90.85	86.31
597-D15-6.0	D	15V @ 6A	105.93	97.79
597-F15-15	F	12V@16A or 15V@15A	244.16	231.94
597-A24-0.5	B	24V @ 0.5A	42.55	40.42
597-B24-1.2	B	24V @ 1.2A	42.55	40.42
597-C24-2.4	C	24V @ 2.4A	64.99	61.74
597-N24-3.6	N	24V @ 3.6A	90.86	86.31
597-D24-4.8	D	24V @ 4.8A	102.92	97.78
597-E24-7.2	E	24V @ 7.2A	143.45	136.27
597-F24-12	F	24V@12A or 28V@10A	244.14	231.94
597-B28-1.0	B	28V @ 1.0A	42.56	40.43
597-C28-2.0	C	28V @ 2.0A	64.98	61.74
597-N28-3.0	N	28V @ 3.0A	90.85	86.31
597-D28-4.0	D	28V @ 4.0A	102.93	97.78
597-E28-6.0	E	28V @ 6.0A	143.46	136.28
597-B48-0.5	B	48V @ 0.5A	55.39	52.62
597-C48-1.0	C	48V @ 1.0A	73.80	70.11
597-D48-3.0	D	48V @ 3.0A	114.60	108.87
597-E48-4.0	E	48V @ 4.0A	154.96	147.20
597-B155-0.12	B	135-170V @ .12A	55.39	52.62
597-B200-0.12	B	175-210V @ .12A	55.39	52.62
597-B250-0.1	B	215-265V @ .1A	55.39	52.62

### Specifications:

- AC input: 100/120/220/230-240VAC, +10%-13%, 47 to 63Hz
- Line regulation:  $\pm 0.05\%$  for a +10% line change
- Load regulation:  $\pm 0.05\%$  for a 50% load change
- Output ripple: 5.0mV max. peak-to-peak on 5-28V units, 0.02% max. peak-to-peak on 48-155V units, 0.05% max. peak-to-peak on 200-250V units

### Features:

- UL, CUL, TUV, CE safety approved
- Over voltage protection on 5V outputs (set @ 6.2 $\pm$ 0.4V)
- All chassis are pre-drilled to accommodate 597-P12 and 597-P24 over voltage protection modules
- Two year warranty



### Over Voltage Protection Modules

MOUSER STOCK NO.	Price Each	
	1	10
597-P12	12.59	11.96
597-P24	21.79	20.70

### Dual Output Models

MOUSER STOCK NO.	Case Style	Output		Price Each	
		#1	#2	1	10
597-AA512	AA	5V @ 2A	12-15V @ 0.5A	64.57	61.35
597-BB512	BB	5V @ 3A	12-15V @ 1.5A	78.20	74.29
597-CC512	CC	5V @ 6A	12-15V @ 2.5A	119.42	113.45
597-AD12-0.4	B	12V @ 0.4A	-12V @ 0.4A	47.66	45.97
597-AD15-0.4	B	15V @ 0.4A	-15V @ 0.4A	47.66	45.97
597-AA15-0.8	AA	12V @ 1A or 15V @ 0.8A	-12V @ 1A or -15V @ 0.8A	55.96	53.16
597-BB15-1.5	BB	12V @ 1.7A or 15V @ 1.5A	-12V @ 1.7A or -15V @ 1.5A	72.45	68.83
597-CC15-3.0	CC	12V @ 3.4A or 15V @ 3.0A	-12V @ 3.4A or -15V @ 3.0A	113.68	107.98
597-DD15-5.0	E	12-15V @ 5A	-12-15V @ 5A	167.96	159.56
597-AA24-0.6	AA	18-20V @ 0.4A or 24V @ 0.6A	-18-20V @ 0.4A or -24V @ 0.6A	55.96	53.16
597-BB24-1.2	BB	18-20V @ 0.9A or 24V @ 1.2A	-18-20V @ 0.9A or -24V @ 1.2A	72.45	68.83
597-CC24-2.4	CC	18-20V @ 1.8A or 24V @ 2.4A	-18-20V @ 1.8A or -24V @ 2.4A	113.66	107.98

### Triple Output Models

MOUSER STOCK NO.	Case Style	Output			Price Each	
		#1	#2	#3	1	10
597-TAA-16W	AA	5V @ 2A	12 to 15V @ 0.4A	-12 to -15V @ 0.4A or -5V @ 0.4A	71.06	67.51
597-BAA-40W	BAA	5V @ 3A	12V @ 1A or 15V @ 0.8A	-12V @ 1A or -15V @ 0.8A or -5V @ 0.4A	97.53	92.65
597-BCC512	CC	5V @ 3A	12V @ 3.4A or 15V @ 3A	-12V @ 3.4A or -15V @ 3A	150.41	142.89
597-BCC524	CC	5V @ 3A	18-20V @ 1.8A or 24V @ 2.4A	-18-20V @ 1.8A or -24V @ 2.4A	150.41	142.89
597-CAA-60W	D	5V @ 6A	12 to 15V @ 1A	-12 to -15V @ 1A or -5V @ 0.4A	116.19	110.39
597-CBB-75W	CBB	5V @ 6A	12V @ 1.7A or 15V @ 1.5A	-12V @ 1.7A or -15V @ 1.5A or -5V @ 0.7A	129.17	122.72
597-CP131	131	5V @ 8A	12V @ 1.7A or 15V @ 1.5A	-12V @ 1.7A or -15V @ 1.5A or -5V @ 0.7A	154.96	147.20
597-DBB-105W	DBB	5V @ 12A	12V @ 1.7A or 15V @ 1.5A	-12V @ 1.7A or -15V @ 1.5A or -5V @ 0.7A	181.68	172.60
597-DCC-150W	DCC	5V @ 12A	12V @ 3.4A or 15V @ 3A	-12V @ 3.4A or -15V @ 3A	199.93	189.92

International Power

Power Supplies

## INTERNATIONAL POWER UNREGULATED POWER SUPPLIES

The IP500U series unregulated power supply line is designed for high current applications at low cost when full regulation is not required. This rugged, highly reliable power supply line is ideal for applications such as powering solenoids, relays, DC motors, lamps, and DC-DC converters.



### Specifications:

- AC input: 108/120/132/216/240/264VAC, 47 to 63Hz
- Output ripple: 3% RMS @ full rated load, 4% on 12 volt model
- Efficiency @ full load: 80% typical
- Two Year Warranty
- Floating Output



MOUSER STOCK NO.	Typical DC Output @ 120VAC Input				Price Each	
	No Load	Half Load	Full Load	Amps Full Load†	1	10
597-IP500U24	29.2	26.8	24.6	20	260.06	247.07
597-IP500U36	42.8	38.2	36.1	13.3	260.06	247.06
597-IP500U48	56.6	52.8	48.8	10	258.60	245.66
597-IP500U75	85.5	78.2	74.8	6.6	258.60	245.66