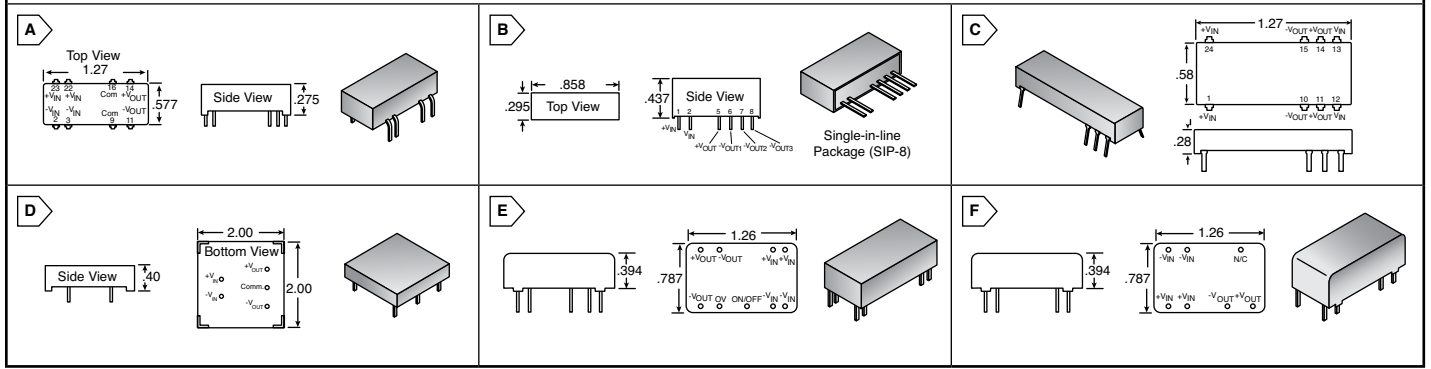


MURATA POWER SOLUTIONS DC-DC Converters



RoHS Compliant This page of product is compliant.

DIMENSIONS: in.



NDT SERIES, 3W ISOLATED WIDE INPUT SINGLE AND DUAL OUTPUT

- Industry standard pinout
- 1kVDC isolation
- Efficiency to 84%
- Short circuit protection
- RoHS Compliant



For quantities greater than listed, call for quote.

MOUSER STOCK NO.	MPS Part No.	Fig.	Input Volts	Output Volts	Io (mA)		Price Each		
					Min.	Max.	1	5	10
Single Output									
580-NDTS0503C	NDTS0503C	A	5	3.3	227	909	16.95	16.55	15.95
580-NDTS0505C	NDTS0505C	A	5	5	150	600	16.95	16.55	15.95
580-NDTS0512C	NDTS0512C	A	5	12	63	250	16.95	16.55	15.95
580-NDTS0515C	NDTS0515C	A	5	15	50	200	16.95	16.59	15.95
580-NDTS1203C	NDTS1203C	A	12	3.3	227	909	16.95	16.59	15.95
580-NDTS1212C	NDTS1212C	A	12	12	63	250	16.95	16.59	15.95
580-NDTS2403C	NDTS2403C	A	24	3.3	227	909	16.95	16.59	15.95
580-NDTS2405C	NDTS2405C	A	24	5	150	600	16.95	16.59	15.95
580-NDTS2412C	NDTS2412C	A	24	12	63	250	16.95	16.55	15.95
580-NDTS2415C	NDTS2415C	A	24	15	50	200	16.95	16.59	15.95
580-NDTS4803C	NDTS4803C	A	48	3.3	227	909	16.95	16.59	15.95
580-NDTS4812C	NDTS4812C	A	48	12	63	250	16.95	16.59	15.95
Dual Output									
580-NDTD0505C	NDTD0505C	A	5	±5	±75	±300	17.80	17.38	16.75
580-NDTD0512C	NDTD0512C	A	5	±12	±31	±125	17.80	17.38	16.75
580-NDTD0515C	NDTD0515C	A	5	±15	±25	±100	17.80	17.44	16.75
580-NDTD1205C	NDTD1205C	A	12	±5	±75	±300	17.80	17.38	16.75
580-NDTD1212C	NDTD1212C	A	12	±12	±31	±125	17.80	17.27	16.75
580-NDTD1215C	NDTD1215C	A	12	±15	±25	±100	17.80	17.27	16.75
580-NDTD2405C	NDTD2405C	A	24	±5	±75	±300	17.80	17.44	16.75
580-NDTD2412C	NDTD2412C	A	24	±12	±31	±125	17.80	17.27	16.75
580-NDTD2415C	NDTD2415C	A	24	±15	±125	±100	17.80	17.44	16.75
580-NDTD4815C	NDTD4815C	A	48	±15	±25	±100	17.80	17.44	16.75

NDY SERIES, 3W WIDE INPUT SINGLE OUTPUT

A range of low profile converters offering a single regulated output over a 2:1 input voltage range.

- 1kVDC isolation
- Efficiency to 82%
- UL 94V-0 package material
- No heatsink required
- Toroidal magnetics
- Fully encapsulated
- RoHS Compliant



For quantities greater than listed, call for quote.

MOUSER STOCK NO.	MPS Part No.	Fig.	Input Volts	Output Volts	Io (mA)	Price Each		
						1	5	10
DIP								
580-NDY0505C	NDY0505C	D	4.5-9	5	400-800	15.91	15.83	15.72
580-NDY0509C	NDY0509C	D	4.5-9	9	222-333	15.91	15.83	15.72
580-NDY0512C	NDY0512C	D	4.5-9	12	166-250	15.91	15.83	15.72
580-NDY1205C	NDY1205C	D	9-18	5	600	15.91	15.83	15.72
580-NDY1209C	NDY1209C	D	9-18	9	333	15.91	15.83	15.72
580-NDY1212C	NDY1212C	D	9-18	12	250	15.91	15.83	15.72
580-NDY1215C	NDY1215C	D	9-18	15	200	15.91	15.83	15.72
580-NDY2403C	NDY2403C	D	18-36	3.3	909	15.91	15.83	15.72
580-NDY2405C	NDY2405C	D	18-36	5	600	15.91	15.83	15.72
580-NDY2409C	NDY2409C	D	18-36	9	333	15.91	15.83	15.72
580-NDY2412C	NDY2412C	D	18-36	12	250	15.91	15.83	15.72
580-NDY2415C	NDY2415C	D	18-36	15	200	15.91	15.83	15.72
580-NDY4805C	NDY4805C	D	36-72	5	600	15.91	15.83	15.72
580-NDY4812C	NDY4812C	D	36-72	12	250	15.91	15.83	15.72

NDS6 SERIES, 6W SINGLE AND DUAL OUTPUT

- 2:1 Wide range voltage input
- Short circuit protection
- 1.5kVDC Isolation
- RoHS compliant



* With control Pin

For quantities greater than listed, call for quote.

MOUSER STOCK NO.	MPS Part No.	Fig.	Input Volts	Output Volts	Io (mA)	Price Each			
						min	max	1	5
Single Output									
580-NDS6S2405C	NDS6S2405C	E	24	5	120	1200	20.03	19.42	19.10
580-NDS6S2412C	NDS6S2412C	E	24	12	50	500	20.03	19.42	19.10
580-NDS6S2415C	NDS6S2415C	E	24	15	40	400	20.03	19.42	19.10
Dual Output									
580-NDS6D2405C	NDS6D2405C	E	24	±5	±60	±600	20.03	19.42	19.10
580-NDS6D2412C	NDS6D2412C	E	24	±12	±25	±250	20.03	19.42	19.10
580-NDS6D2415C	NDS6D2415C	E	24	±15	±20	±200	20.03	19.42	19.10
* 580-NDS6D2405EC	NDS6D2405EC	E	24	±5	±60	±600	20.03	19.68	19.36
* 580-NDS6D2412EC	NDS6D2412EC	E	24	±12	±25	±250	20.03	19.68	19.36
* 580-NDS6D2415EC	NDS6D2415EC	E	24	±15	±20	±200	20.03	19.68	19.36

NCS6 SERIES, 6W ISOLATED SINGLE OUTPUT

- 4:1 wide range voltage input
- 1.5kVDC Isolation
- Power density 0.94W/cm²
- No electrolytic capacitors
- Under voltage lock out
- RoHS compliant



For quantities greater than listed, call for quote.

MOUSER STOCK NO.	MPS Part No.	Fig.	Input Volts	Output Volts	Io (mA)	Price Each		
						1	5	10
580-NCS6S1203C	NCS6S1203C	F	12	3.3	1.52	22.00	21.89	21.74
580-NCS6S1205C	NCS6S1205C	F	12	5	1.2	22.00	21.51	20.67
580-NCS6S1212C	NCS6S1212C	F	12	12	0.5	22.00	21.89	20.80
580-NCS6S1215C	NCS6S1215C	F	12	15	0.4	22.00	21.89	20.80
580-NCS6S4803C	NCS6S4803C	F	48	3.3	1.52	22.00	21.89	21.74
580-NCS6S4805C	NCS6S4805C	F	48	5	1.2	22.00	21.45	20.80
580-NCS6S4812C	NCS6S4812C	F	48	12	0.5	22.00	21.89	20.80
580-NCS6S4815C	NCS6S4815C	F	48	15	0.4	22.00	21.45	20.80

NMT SERIES, 3W TRIPLE OUTPUT

This series is a range of DC-DC converters offering three output voltages of -24V, -48V, and -72V from a single isolated 5V or 12V input voltage. This product is packaged in an 8 pin SIP case for minimum PCB footprint.

- Triple outputs (-24V, -48V, and -72V)
- Power sharing on outputs
- UL 94V-0 package material
- Toroidal magnetics
- Input/output isolation 1kVDC
- RoHS Compliant



Shutdown Pin

* Io assumes all 3 channels are equally loaded

For quantities greater than listed, call for quote.

MOUSER STOCK NO.	MPS Part No.	Fig.	Input Volts	Output Volts	Io *	Price Each		
						1	5	10
580-NMT0572SC	NMT0572SC	B	5	-24 -48 -72	42 21 14	14.45	14.09	13.60
580-NMT1272SC	NMT1272SC	B	12	-24 -48 -72	42 21 14	14.45	14.09	13.60
† 580-NMT1272SZC	NMT1272SZC	B	12	-24 -48 -72	42 21 14	15.93	15.65	15.21

PWR1546A SERIES, 5W REGULATED DUAL OUTPUT

- RoHS Compliant
- 750VDC isolation
- 1mV p-p maximum output noise
- Short-circuit protection
- Six-sided shielding
- Internal input and output filtering
- Fully regulated
- Efficiency: 60% typ.



For quantities greater than listed, call for quote.

MOUSER STOCK NO.	MPS Part No.	Fig.	Input Volts	Output Volts	Io (mA)	Price Each		
						1	5	10
580-PWR1546AC	PWR1546AC	C	5	±15	±167	90.96	90.05	89.14