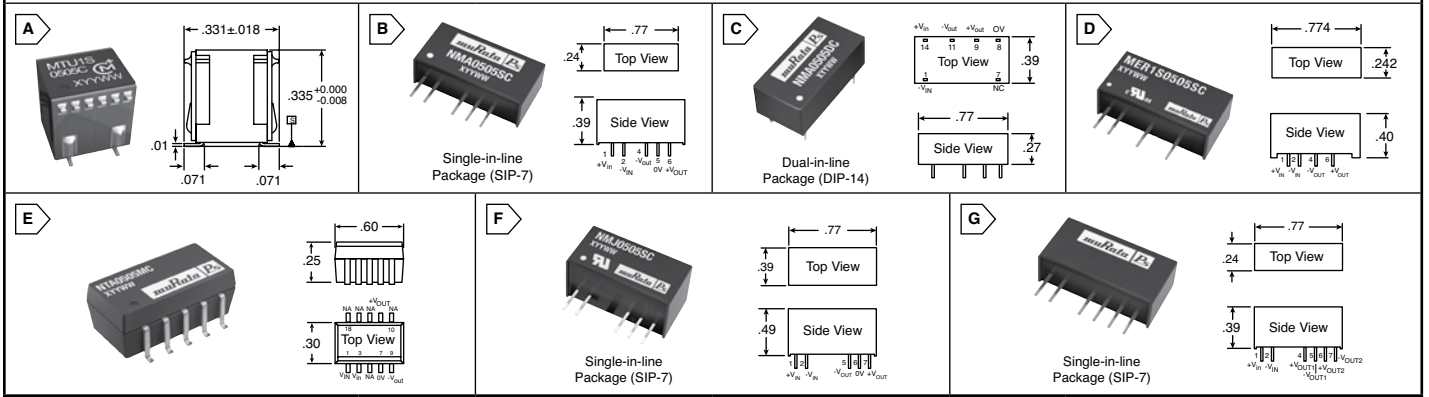


MURATA POWER SOLUTIONS DC-DC Converters



RoHS Compliant This product is RoHS compliant.

DIMENSIONS: in.



MTU1 SERIES, ISOLATED 1W SINGLE OUTPUT SMT

- 1kVDC Isolation
- Power density 1.71W/cm
- Efficiency up to 88% (Typ.)
- UL 94V-0 Package material
- Toroidal magnetics
- Custom solution available
- Multi-layer ceramic capacitors



MOUSER STOCK NO.	MPS Part No.	Fig.	Input Volts	Output Volts	Io (mA)	Price Each			
						1	5	10	25
580-MTU1S0305MC	MTU1S0305MC	A	3.3	5	200	7.61	7.57	7.52	7.43
580-MTU1D0505MC	MTU1D0505MC	A	5	5	100	7.61	7.57	7.52	7.43
580-MTU1D0509MC	MTU1D0509MC	A	5	9	56	7.61	7.57	7.52	7.43
580-MTU1D0512MC	MTU1D0512MC	A	5	12	42	7.61	7.57	7.52	7.43
580-MTU1D0515MC	MTU1D0515MC	A	5	15	33	7.61	7.57	7.52	7.43
580-MTU1S0505MC	MTU1S0505MC	A	5	5	200	7.61	7.43	7.31	7.20
580-MTU1S0509MC	MTU1S0509MC	A	5	9	111	7.61	7.43	7.31	7.20
580-MTU1S0512MC	MTU1S0512MC	A	5	12	83	7.61	7.43	7.31	7.20
580-MTU1S0515MC	MTU1S0515MC	A	5	15	66	7.61	7.43	7.31	7.20
580-MTU1D1205MC	MTU1D1205MC	A	12	5	100	7.61	7.57	7.52	7.43
580-MTU1D1209MC	MTU1D1209MC	A	12	9	56	7.61	7.57	7.52	7.43
580-MTU1D1212MC	MTU1D1212MC	A	12	12	42	7.61	7.57	7.52	7.43
580-MTU1D1215MC	MTU1D1215MC	A	12	15	33	7.61	7.57	7.52	7.43
580-MTU1S1205MC	MTU1S1205MC	A	12	5	200	7.61	7.43	7.31	7.20
580-MTU1S1209MC	MTU1S1209MC	A	12	9	111	7.61	7.43	7.31	7.20
580-MTU1S1212MC	MTU1S1212MC	A	12	12	83	7.61	7.43	7.31	7.20
580-MTU1S1215MC	MTU1S1215MC	A	12	15	66	7.61	7.43	7.31	7.20

MER1 SERIES, 1W SINGLE OUTPUT CONT.

- Typical efficiency to 89%
- UL 94V-0 package material
- No heatsink required
- 1kVDC isolation
- Fully encapsulated with toroidal magnetics
- No electrolytic or tantalum capacitors



MOUSER STOCK NO.	MPS Part No.	Fig.	Input Volts	Output Volts	Io (mA)	Price Each			
						1	5	10	25
580-MER1S2405SC	MER1S2405SC	D	24	5	200	7.95	7.91	7.85	7.77
580-MER1S2409SC	MER1S2409SC	D	24	9	111	7.95	7.91	7.85	7.77
580-MER1S2412SC	MER1S2412SC	D	24	12	84	7.95	7.76	7.67	7.52
580-MER1S2415SC	MER1S2415SC	D	24	15	67	7.95	7.91	7.85	7.77
580-MER1S4809SC	MER1S4809SC	D	48	9	111	7.95	7.91	7.85	7.77
580-MER1S4812SC	MER1S4812SC	D	48	12	84	7.95	7.91	7.85	7.77
580-MER1S4815SC	MER1S4815SC	D	48	15	67	7.95	7.91	7.85	7.77

NMA SERIES, 1W DUAL OUTPUT

- RoHS Compliant
- 1kVDC isolation
- Fully encapsulated
- Toroidal magnetics
- Efficiency to 80%
- UL 94V-0 package material
- No heatsink required



MOUSER STOCK NO.	MPS Part No.	Fig.	Input Volts	Output Volts	Io (mA)	Price Each			
						1	5	10	25
SIP									
580-NMA0505SC	NMA0505SC	B	5	±5	±100	8.76	8.50	8.24	8.10
580-NMA0512SC	NMA0512SC	B	5	±12	±42	8.76	8.50	8.24	8.10
580-NMA0515SC	NMA0515SC	B	5	±15	±33	8.76	8.50	8.24	8.10
580-NMA1205SC	NMA1205SC	B	12	±5	±100	8.76	8.50	8.24	8.10
580-NMA1209SC	NMA1209SC	B	12	±9	±55	8.76	8.50	8.24	8.10
580-NMA1212SC	NMA1212SC	B	12	±12	±42	8.76	8.50	8.24	8.10
580-NMA1215SC	NMA1215SC	B	12	±15	±33	8.76	8.50	8.24	8.10
580-NMA1515SC	NMA1515SC	B	15	±15	±33	8.76	8.50	8.24	8.10
DIP									
580-NMA0505DC	NMA0505DC	C	5	±5	±100	9.21	9.06	8.72	8.59
580-NMA0509DC	NMA0509DC	C	5	±9	±55	9.21	9.06	8.72	8.59
580-NMA0512DC	NMA0512DC	C	5	±12	±42	9.21	9.06	8.72	8.59
580-NMA0515DC	NMA0515DC	C	5	±15	±33	9.21	9.06	8.72	8.59
580-NMA1205DC	NMA1205DC	C	12	±5	±100	9.21	9.06	8.72	8.59
580-NMA1212DC	NMA1212DC	C	12	±12	±42	9.21	9.06	8.72	8.59
580-NMA1215DC	NMA1215DC	C	12	±15	±33	9.21	9.06	8.72	8.59

NTA SERIES, SMT 1W DUAL OUTPUT

- RoHS Compliant
- 1kVDC isolation
- Efficiency to 78%
- Surface Mount
- UL 94V-0 package material
- No heatsink required
- Toroidal magnetics
- Fully encapsulated



MOUSER STOCK NO.	MPS Part No.	Fig.	Input Volts	Output Volts	Io (mA)	Price Each			
						1	5	10	25
580-NTA0315MC	NTA0315MC	E	3.3	±15	±33	7.95	7.91	7.85	7.77
580-NTA0505MC	NTA0505MC	E	5	±5	±100	7.95	7.91	7.85	7.77
580-NTA0509MC	NTA0509MC	E	5	±9	±55	7.95	7.91	7.85	7.77
580-NTA0512MC	NTA0512MC	E	5	±12	±42	7.95	7.91	7.85	7.77
580-NTA0515MC	NTA0515MC	E	5	±15	±33	7.95	7.91	7.85	7.77
580-NTA1205MC	NTA1205MC	E	12	±5	±100	7.95	7.91	7.85	7.77
580-NTA1212MC	NTA1212MC	E	12	±12	±42	7.95	7.91	7.85	7.77
580-NTA1215MC	NTA1215MC	E	12	±15	±33	7.95	7.91	7.85	7.77

NMJ SERIES 5.2KVDC ISOLATED, 1W DUAL OUTPUT

- 5.2kVDC isolation
- Power sharing
- No heatsink required
- Toroidal magnetics
- Fully encapsulated
- RoHS Compliant
- UL 60950



MOUSER STOCK NO.	MPS Part No.	Fig.	Input Volts	Output Volts	Io (mA)	Price Each			
						1	5	10	25
580-NMJ0505SC	NMJ0505SC	F	5	±5	±100	14.04	13.71	13.28	13.23
580-NMJ0512SC	NMJ0512SC	F	5	±12	±42	14.04	13.70	13.28	13.23
580-NMJ1205SC	NMJ1205SC	F	12	±5	±100	14.04	13.71	13.28	13.23
580-NMJ1212SC	NMJ1212SC	F	12	±12	±42	14.04	13.71	13.28	13.23
580-NMJ1215SC	NMJ1215SC	F	12	±15	±33	14.04	13.71	13.28	13.23

MER1 SERIES, 1W SINGLE OUTPUT

- Typical efficiency to 89%
- UL 94V-0 package material
- No heatsink required
- 1kVDC isolation
- Fully encapsulated with toroidal magnetics
- No electrolytic or tantalum capacitors



MOUSER STOCK NO.	MPS Part No.	Fig.	Input Volts	Output Volts	Io (mA)	Price Each			
						1	5	10	25
580-MER1S0505SC	MER1S0505SC	D	5	5	200	7.95	7.91	7.85	7.77
580-MER1S0509SC	MER1S0509SC	D	5	9	111	7.95	7.91	7.85	7.77
580-MER1S0512SC	MER1S0512SC	D	5	12	84	7.95	7.91	7.85	7.77
580-MER1S0515SC	MER1S0515SC	D	5	15	67	7.95	7.91	7.85	7.77
580-MER1S1205SC	MER1S1205SC	D	12	5	200	7.95	7.91	7.85	7.77
580-MER1S1209SC	MER1S1209SC	D	12	9	111	7.95	7.91	7.85	7.77
580-MER1S1212SC	MER1S1212SC	D	12	12	84	7.95	7.91	7.85	7.77
580-MER1S1215SC	MER1S1215SC	D	12	15	67	7.95	7.91	7.85	7.77
580-MER1S1505SC	MER1S1505SC	D	15	5	200	7.95	7.91	7.85	7.77
580-MER1S1512SC	MER1S1512SC	D	15	12	84	7.95	7.91	7.85	7.77
580-MER1S1515SC	MER1S1515SC	D	15	15	67	7.95	7.91	7.85	7.77

NMD SERIES ISOLATED 1W TWIN OUTPUT

- RoHS Compliant
- No heatsink required
- Efficiency to 80%
- Power sharing on outputs
- Input/Output isolation 1kVDC
- Output Voltage 1.5V@100mA
- Output/Output isolation 1kVDC
- Twin independent outputs



MOUSER STOCK NO.	MPS Part No.	Fig.	Input Volts	Output 1 V	Output 1 mA	Output 2 V	Output 2 mA	Price Each			
								1	5	10	25
SIP											
580-NMD050505SC	NMD050505SC	G	5	5	100	5	100	10.52	10.21	9.95	9.81
580-NMD050512SC	NMD050512SC	G	5	5	100	12	42	10.53	10.21	9.95	9.81
580-NMD050515SC	NMD050515SC	G	5	5	100	15	34	10.53	10.21	9.95	9.81
580-NMD120512SC	NMD120512SC	G	12	5	100	12	42	10.92	10.73	10.37	10.04
580-NMD120515SC	NMD120515SC	G	12	5	100	15	34	10.92	10.73	10.37	10.04