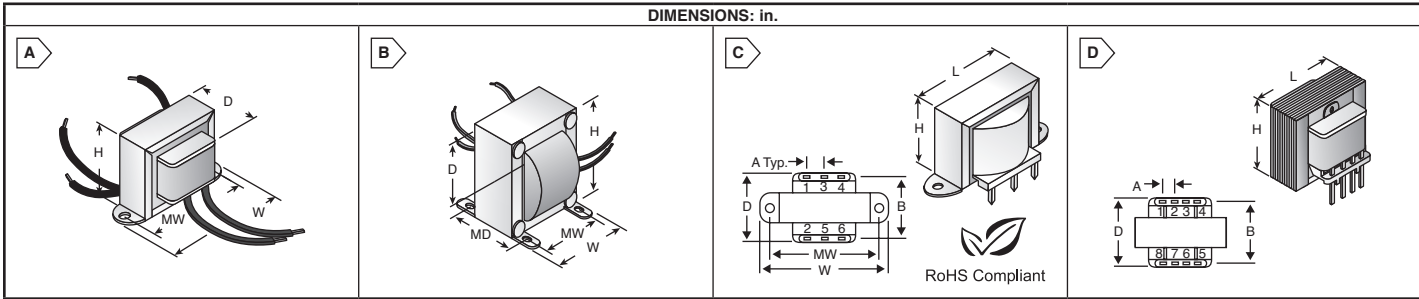


TRIAD Power and Audio Transformers

TRIAD



TRIAD POWER TRANSFORMERS

Use these power supply transformers for direct use or in transformer, rectifier, and filter circuits. They are single primary with single or double and multiple secondaries in standard size and weight configurations.

Single Secondary

* Primary: 115/230VAC 50/60Hz

*60Hz

For quantities greater than listed, call for quote.

MOUSER STOCK NO.	Fig.	Primary VAC	Secondary		Connections	Mounting Hole Size (in.)	Dimensions: in.					Price Each			
			VAC	Amps			H	W	D	MW	MD	1	10	25	50
* 553-F1X	A	115	2.5 CT	3.0	Leads	0.188	1.625	2.813	1.625	2.375	---	10.47	8.87	7.87	7.07
553-F7X	A	115	5.0 CT	3.0	Leads	0.188	1.938	3.313	2.000	2.813	---	13.13	11.16	9.98	8.93
553-F13X	A	115	6.3	0.6	Leads	1.375	2.375	1.375	2.000	---	---	7.83	6.69	5.91	5.13
* 553-F14X	A	115	6.3 CT	1.2	Leads	1.625	2.813	1.625	2.375	---	---	10.60	8.99	7.99	7.16
553-F16X	A	115	6.3 CT	3.0	Leads	1.938	3.313	2.000	2.813	---	---	12.51	10.61	9.39	8.45
553-F18X	A	115	6.3 CT	6.0	Leads	0.188	2.594	4.000	2.250	3.563	---	17.13	14.53	12.85	10.93
553-F113X	A	115	12.0 CT	0.15	Leads	0.188	1.375	2.375	1.375	2.000	---	8.36	7.11	6.39	5.68
553-F114X	A	115	12.0 CT	0.7	Leads	0.188	1.625	2.813	1.625	2.375	---	9.07	7.71	6.89	6.12
* 553-F218X	A	115	12.0	2.0	Leads	2.000	3.250	1.875	2.875	---	---	12.80	10.83	9.57	8.64
* 553-F44X	A	115	12.6 CT	2.0	Leads	0.188	1.938	3.313	2.000	2.813	---	13.80	11.71	10.36	9.32
* 553-F225X	A	115	12.6 CT	4.0	Leads	0.188	2.625	4.000	2.063	3.563	---	16.60	14.94	13.94	12.87
553-F112X	A	115	14.0 CT	0.25	Leads	0.188	1.375	2.375	1.375	2.000	---	10.40	8.84	7.84	7.02
553-F251X	A	115	14.0 CT	2.0	Leads	2.250	3.688	1.938	3.125	---	---	16.50	14.25	12.75	11.25
553-F253U	B	115	14.0 CT	6.0	Leads	0.203 x 0.375	3.375	2.813	2.875	2.250	2.375	34.73	29.52	26.39	21.88
553-F115X	A	115	24.0 CT	0.085	Leads	0.188	1.188	2.063	1.375	1.750	---	9.67	8.20	7.26	6.09
* 553-F45X	A	115	24.0 CT	1.0	Leads	1.938	3.313	2.000	2.813	---	---	10.89	9.29	8.31	7.38
553-F192X	A	115	24.0 CT	2.0	Leads	0.188	2.594	4.000	2.250	3.563	---	17.20	14.57	12.89	10.84
553-F193U	B	115	24.0 CT	4.0	Leads	0.203 x 0.375	3.813	3.125	2.813	2.500	2.125	46.28	43.73	40.95	38.18
553-F260U	B	115	24.0 CT	6.0	Leads	0.203 x 0.375	3.750	3.125	3.500	2.500	2.875	39.64	33.69	30.13	24.98
553-F401U	B	115	24.0 CT	10.0	Leads	0.203 x 0.375	4.125	3.438	3.750	2.750	3.000	61.16	59.02	55.04	51.37
553-F56X	A	115	25.2 CT	2.8	Leads	0.188	2.656	4.000	2.250	3.563	---	18.78	15.94	14.10	11.83
* 553-F40X	A	115	26.8 CT	1.0	Leads	1.938	3.313	2.000	2.813	---	---	11.88	10.26	9.45	8.64
553-F54X	A	115	35.0 CT	1.5	Leads	2.594	4.000	2.250	3.563	---	---	17.62	15.13	13.53	11.21

PC Mount Single Primary 115 VAC, 50/60Hz, Dual Secondaries

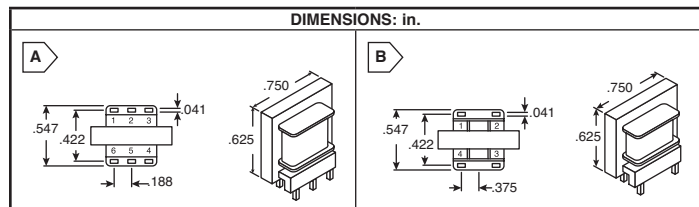
For quantities greater than listed, call for quote.

MOUSER STOCK NO.	Fig.	Power VA	Secondary Ratings		Dimensions: in.							Price Each			
			Series	Parallel	H	W	D	L	A	B	MW	1	10	25	50
553-F142XP	C	4.5	15.0V CT @ 0.3A	7.5VAC @ 0.6A	1.438	2.375	1.25	1.703	0.406	1.094	2.000	9.69	9.00	8.36	7.53
553-F143XP	C	4.5	30.0V CT @ 0.15A	15.0VAC @ 0.3A	1.438	2.375	1.25	1.703	0.406	1.094	2.000	10.89	9.29	8.31	7.38
553-F144XP	C	4.5	54.0V CT @ 0.084A	27.0VAC @ 0.168A	---	---	1.25	1.703	0.406	1.094	2.000	11.94	11.09	10.30	9.27

PC Mount Dual Primary 115/230 VAC, 50/60Hz, Dual Secondaries

For quantities greater than listed, call for quote.

MOUSER STOCK NO.	Fig.	Power VA	Secondary Ratings		Dimensions: in.							Price Each			
			Series	Parallel	H	W	D	L	A	B	MW	1	10	25	50
553-F3132P	D	1.5	15.0V CT @ 0.1A	7.5VAC @ 0.2A	1.188	---	1.125	1.375	0.203	1.000	---	7.40	6.29	5.62	4.66
553-F333P	D	1.5	30.0V CT @ 0.05A	15.0VAC @ 0.1A	1.188	---	1.125	1.375	0.203	1.000	---	8.62	7.33	6.55	5.82
553-F372P	D	24	16.0V CT @ 1.5A	8.0VAC @ 3.0A	1.375	---	2.250	1.625	0.250	2.109	---	11.11	9.44	8.44	7.55



TRIAD TY SERIES TELEPHONE COUPLING TRANSFORMERS

- Specifications:**
- Complies with FCC rules part 68
 - Power level: -45dBm to +7dBm
 - Frequency response: 300-3500Hz ± 0.5dB



*2 units required for hybrid operation

For quantities greater than listed, call for quote.

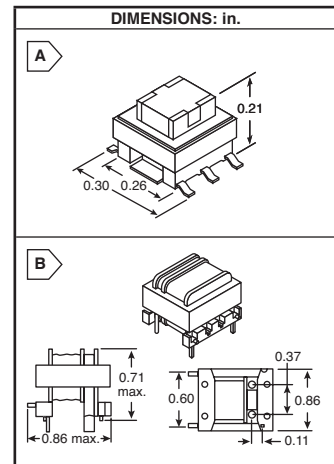
MOUSER STOCK NO.	Fig.	Impedance		Application	Price Each			
		Pri (Ω)	Sec (Ω)		1	10	25	50
553-TY300P	A	600	600/600	Hybrid*	5.56	4.73	4.23	3.78
553-TY303P	B	4K	600	Bridging*	5.56	4.73	4.23	3.78
553-TY304P	A	600 CT	600 CT	Coupling	5.56	4.50	4.00	3.62

TRIAD CURRENT SENSE TRANSFORMERS

The CSE5 Series is designed to monitor current at 250kHz and above. These transformers have primary current rating of 10 Amps.



The CSE Series is designed to monitor current in low frequency applications. May be used to monitor current from .1 to 30 amperes at frequencies from 50Hz to 400Hz.



For quantities greater than listed, call for quote.

MOUSER STOCK NO.	Fig.	Price Each	
		1	10
553-CSE5-100701	A	2.89	2.60
553-CSE5-101001	A	2.89	2.60
553-CSE5-101251	A	2.89	2.60
553-CSE187L	B	2.70	2.30