

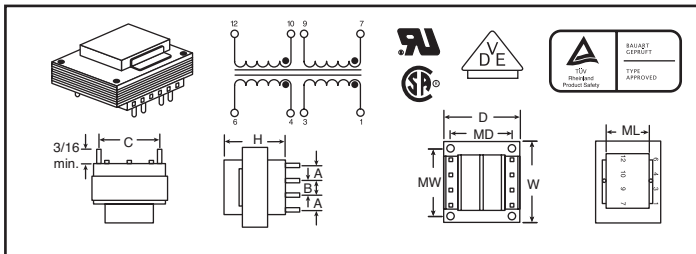
TRIAD Transformers and Autotransformers TRIAD

TRIAD PC MOUNT - WORLD SERIES™

Specifications:

- Primary: 115/230V, 50/60Hz
- VA ranges: 2.5 to 56.0
- Hi-pot tested @ 4,000Vrms

VA	Dimensions: in.							Mounting		
	H	W	D	A	B	C	Pin	ML	MD	MW
2.5	1.1250	1.625	1.3125	.200	.250	1.000	.025 sq.	1.0625	-	-
5.0	1.3750	1.625	1.3125	.200	.400	1.000	.025 sq.	1.0625	-	-
10.0	1.3750	1.875	1.5625	.200	.400	1.140	.036 sq.	1.2500	-	-
20.0	1.6250	2.250	1.8750	.400	.400	1.460	.036 sq.	1.5000	-	-
30.0	1.5625	2.625	2.1875	.500	.275	1.680	.045 sq.	-	1.750	2.1875
56.0	1.8125	3.000	2.5000	.600	.300	1.900	.045 sq.	-	2.000	2.5000



For quantities greater than listed, call for quote.

MOUSER STOCK NO.	VA	Secondary		Price Each		
		Series	Parallel	1	10	25
553-VPP10-250	2.5	10.0VAC CT @ 0.25A	5.0VAC @ 0.5A	9.62	8.18	7.31
553-VPP10-500	5.0	10.0VAC CT @ 0.5A	5.0VAC @ 1.0A	10.36	8.81	7.87
553-VPP10-5600	56.0	10.0VAC CT @ 5.6A	5.0VAC @ 11.2A	19.84	16.86	15.08
553-VPP12-400	5.0	12.6VAC CT @ 0.4A	6.3VAC @ 0.8A	10.36	8.81	7.87
553-VPP12-800	10.0	12.6VAC CT @ 0.8A	6.3VAC @ 1.6A	11.60	9.86	8.82
553-VPP12-1600	20.0	12.6VAC CT @ 1.6A	6.3VAC @ 3.2A	14.11	12.00	10.72
553-VPP12-2400	30.0	12.6VAC CT @ 2.4A	6.3VAC @ 4.8A	16.22	13.79	12.33
553-VPP12-4400	56.0	12.6VAC CT @ 4.4A	6.3VAC @ 8.8A	19.84	16.86	15.08
553-VPP16-310	5.0	16.0VAC CT @ 0.31A	8.0VAC @ 0.62A	10.36	8.81	7.87
553-VPP16-620	10.0	16.0VAC CT @ 0.62A	8.0VAC @ 1.25A	11.60	9.86	8.82
553-VPP16-1250	20.0	16.0VAC CT @ 1.25A	8.0VAC @ 2.5A	14.11	12.00	10.72
553-VPP16-1900	30.0	16.0VAC CT @ 1.9A	8.0VAC @ 3.8A	16.22	13.79	12.33
553-VPP20-120	2.5	20.0VAC CT @ 0.12A	10.0VAC @ 0.24A	9.62	8.18	7.31
553-VPP20-250	5.0	20.0VAC CT @ 0.25A	10.0VAC @ 0.5A	10.36	8.81	7.87
553-VPP20-1000	20.0	20.0VAC CT @ 1.0A	10.0VAC @ 2.0A	14.11	12.00	10.72

For quantities greater than listed, call for quote.

MOUSER STOCK NO.	VA	Secondary		Price Each		
		Series	Parallel	1	10	25
553-VPP20-2800	56.0	20.0VAC CT @ 2.8A	10.0VAC @ 5.6A	19.84	16.86	15.08
553-VPP24-420	10.0	24.0VAC CT @ 0.42A	12.0VAC @ 0.84A	11.60	9.86	8.82
553-VPP24-830	20.0	24.0VAC CT @ 0.83A	12.0VAC @ 1.66A	14.11	12.00	10.72
553-VPP24-1250	30.0	24.0VAC CT @ 1.25A	12.0VAC @ 2.50A	16.22	13.79	12.33
553-VPP24-2330	56.0	24.0VAC CT @ 2.33A	12.0VAC @ 4.66A	19.84	16.86	15.08
553-VPP28-180	5.0	28.0VAC CT @ 0.18A	14.0VAC @ 0.36A	10.36	8.81	7.87
553-VPP28-720	20.0	28.0VAC CT @ 0.72A	14.0VAC @ 1.44A	14.11	12.00	10.72
553-VPP28-2000	56.0	28.0VAC CT @ 2.0A	14.0VAC @ 4.0A	19.84	16.86	15.08
553-VPP36-070	2.5	36.0VAC CT @ 0.07A	18.0VAC @ 0.14A	9.62	8.18	7.31
553-VPP36-280	10.0	36.0VAC CT @ 0.28A	18.0VAC @ 0.56A	11.60	9.86	8.82
553-VPP36-560	20.0	36.0VAC CT @ 0.56A	18.0VAC @ 1.12A	14.11	12.00	10.72
553-VPP36-820	30.0	36.0VAC CT @ 0.82A	18.0VAC @ 1.64A	16.22	13.79	12.33
553-VPP36-1560	56.0	36.0VAC CT @ 1.56A	18.0VAC @ 3.12A	19.84	16.86	15.08

TRIAD CHASSIS MOUNT - WORLD SERIES™

Specifications:

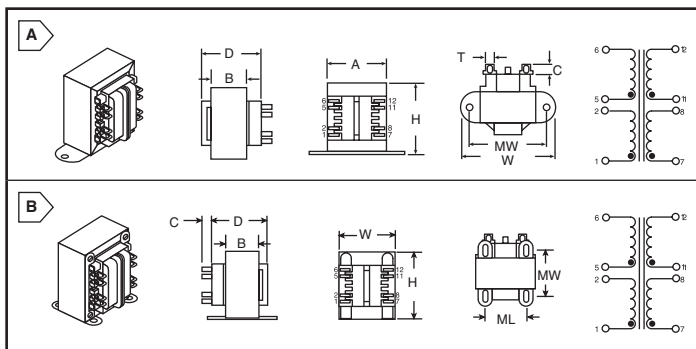
- Quick connect terminals
- Hi-pot tested @ 4,000Vrms
- Primary: 115/230V, 50/60Hz



For quantities greater than listed, call for quote.

MOUSER STOCK NO.	Fig.	VA	Secondary		Price Each		
			Series	Parallel	1	10	25
553-VPS12-2000	A	25	12.6VAC CT @ 2.0A	6.3VAC @ 4.0A	15.40	13.09	11.70
553-VPS12-3400	A	43	12.6VAC CT @ 3.4A	6.3VAC @ 6.8A	19.64	14.32	12.73
553-VPS12-6300	B	80	12.6VAC CT @ 6.3A	6.3VAC @ 12.6A	26.84	22.81	20.40
553-VPS16-1600	A	25	16.0VAC CT @ 1.6A	8.0VAC @ 3.2A	15.40	13.09	11.70
553-VPS16-2700	A	43	16.0VAC CT @ 2.7A	8.0VAC @ 5.4A	19.00	16.69	14.93
553-VPS16-5000	B	80	16.0VAC CT @ 5.0A	8.0VAC @ 10.0A	26.84	22.81	20.40
553-VPS20-4000	B	80	20.0VAC CT @ 4.0A	10.0VAC @ 8.0A	26.84	22.81	20.40
553-VPS24-1000	A	25	24.0VAC CT @ 1.0A	12.0VAC @ 2.0A	15.40	13.09	11.70
553-VPS24-1800	A	43	24.0VAC CT @ 1.8A	12.0VAC @ 3.6A	19.64	16.69	14.93
553-VPS24-3300	B	80	24.0VAC CT @ 3.3A	12.0VAC @ 6.6A	26.84	22.81	20.40
553-VPS245400	B	130	24.0VAC CT @ 5.4A	12.0VAC @ 10.8A	35.98	30.38	27.18
553-VPS-24-7300	B	175	24.0VAC CT @ 7.3A	12.0VAC @ 14.6A	40.80	34.70	31.21
553-VPS36-700	A	25	36.0VAC CT @ 0.7A	18.0VAC @ 1.4A	15.40	13.09	11.70
553-VPS36-1200	A	43	36.0VAC CT @ 1.2A	18.0VAC @ 2.4A	19.64	16.69	14.93
553-VPS36-2200	B	80	36.0VAC CT @ 2.2A	18.0VAC @ 4.4A	26.84	22.81	20.40
553-VPS230-110	A	25	230.0VAC CT @ 0.11A	115.0VAC @ 0.22A	15.40	13.09	11.70
553-VPS230-190	A	43	230.0VAC CT @ 0.19A	115.0VAC @ 0.38A	19.64	16.69	14.93
553-VPS230-350	B	80	230.0VAC CT @ 0.35A	115.0VAC @ 0.7A	26.84	22.81	20.40

VA	Dimensions: in.							Mounting	
	H	W	D	A	B	C	T	MW	ML
25	2.3125	2.8125	1.93750	2.0000	1.125	.3125	.1875	2.3750	-
43	2.6875	3.1250	2.00000	2.3125	1.125	.3125	.1875	2.8125	-
80	3.0000	2.5000	2.31250	-	1.375	.3125	.1875	2.0000	2.250
175	3.7500	3.1250	2.81251	-	1.625	.3750	.2500	2.5000	2.500



TRIAD ISOLATION POWER TRANSFORMERS

For isolating equipment from direct connection to the power line. The primary and secondary are nonconcentric precision wound on separate arbors, assembled on a laminate core side by side separated by insulation. This prevents electrical connection, under normal or overload conditions, between the primary and secondary windings.

Specifications:

- Secondary voltage: ±5%
- Leakage current from primary to secondary is rated at less than 50µA and is typically measured at less than 10µA
- Hi-pot tested at 1500V
- Units with "M" suffix have 2-wire 6' cord, plug and socket



RoHS Compliant

- Line cord, plug and receptacle are UL listed and verified to meet federal specifications

§ Split Winding * with Ground Wire †



For quantities greater than listed, call for quote.

MOUSER STOCK NO.	Fig.	VA	Primary Voltage	Secondary Ratings		Mounting Hole Size (in.)	Dimensions: in.					Price Each		
				Volts	Amps		H	W	D	MW	MD	1	10	25
553-N48X	A	15	115	115	0.130	0.188	1.9380	3.3130	2.000	2.813	-	15.51	14.47	13.55
553-N51X	A	35	115	115	0.300	0.188	2.2810	3.6880	2.125	3.125	-	12.00	11.20	10.50
553-N68X	A	50	115/230	115	0.435	0.188	2.2810	3.6880	2.125	3.125	-	11.20	10.45	9.78
* 553-N54MG	B	150	115	115	1.300	0.375 x 0.188	3.8750	3.2810	4.250	2.500	3.000	71.95	67.07	62.80
§ 553-N67A	C	150	115/230	115	1.300	0.375 x 0.188	3.8750	3.2810	3.875	2.500	3.000	46.98	43.80	41.00
§ 553-N66A	C	250	115/230	115	2.170	0.375 x 0.188	4.6250	3.9380	4.625	3.000	3.625	62.20	57.99	54.25
§ 553-N77U	D	100	115/230	115	0.860	0.203 x 0.375	3.4375	2.8125	3.000	2.250	2.500	41.57	38.75	36.30

Medical Applications

MOUSER STOCK NO.	Fig.	VA	Primary Voltage	Secondary Ratings	Mounting Hole	Dimensions: in.	Price Each
† 553-N90MD	B	250	115	115	2.17	0.375 x 0.188	4.625 3.875 6.125 3.0 4.938 210.38 188.24 164.95

TRIAD STEP-UP/STEP-DOWN AUTOTRANSFORMERS

Single winding transformers in which the primary coil is a fraction of the entire winding for voltage step-up or the secondary coil is a fraction of the entire winding for voltage step-down.

Specifications:

- 50/60Hz line frequency
- Hi-pot tested at 1,500Vrms
- Secondary voltage: ±5%
- Units with "M" suffix have 2-wire 6' cord, plug and socket
- Units with "MG" suffix have 3-wire 6' cord, plug and socket



RoHS Compliant

* with Ground Wire

For quantities greater than listed, call for quote.

MOUSER STOCK NO.	Fig.	VA	Primary Voltage	Secondary Ratings		Mounting Hole Size (in.)	Dimensions: in.					Price Each		
				Volts	Amps		H	W	D	MW	MD	1	10	25
553-N1X	A	50	230	115	0.435	0.188	2.281	3.688	2.000	3.125	-	13.48	12.55	11.75
553-N2X	A	100	230	115	0.870	0.188	2.625	4.000	2.063	3.625	-	15.22	14.19	13.28
553-N4MG	B	150	230	115	1.300	0.375 x 0.188	3.594	2.969	4.250	2.250	2.875	72.94	69.10	64.50
553-N6U	D	200	230	115	1.700	0.203 x 0.375	3.375	2.813	2.813	2.250	2.250	28.10	26.19	24.53
* 553-N5MG	B	250	230	115	2.170	0.375 x 0.188	3.875	3.281	4.813	2.500	3.500	115.76	107.90	101.03
553-N7MG	B	600	230	115	5.220	0.375 x 0.188	4.625	3.938	5.000	3.000	3.875	122.99	114.64	107.41
553-N9MG	B	1250	230	115	10.850	0.656 x 0.28	5.313	4.500	6.000	3.500	4.500	283.63	264.72	244.23
553-N150MG	B	150	115	230	0.650	0.375 x 0.188	3.594	2.969	3.313	2.250	2.125	100.00	90.00	84.00
553-N250MG	B	250	115	230	1.100	0.375 x 0.188	3.875	3.250	3.688	2.250	2.438	101.49	94.60	88.60
553-N1000MG	B	1000	115	230	4.350	0.5 x 0.25	5.375	4.500	5.500	3.500	4.125	186.90	174.22	163.17