

# TRIAD Power Transformers

# TRIAD

## TRIAD SPLIT-PACK® POWER TRANSFORMERS

The Triad Split-Pack® split bobbin transformer is an extremely versatile tool for PC board applications. Split-Pack® transformers are nonconcentrically wound with primaries and secondaries side-by-side. Unlike the secondary on-top-of-primary designs of standard PC board transformers, the split-bobbin winding and low capacitive coupling eliminate costly electrostatic shielding.

### Features:

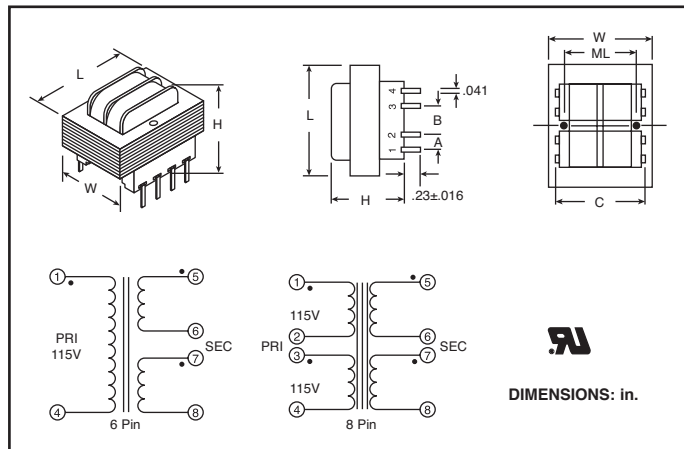
- Primary: 115/230VAC 50/60Hz
- Hi-pot tested at 2,500VRMS
- Class B UL recognized
- PC terminal pin spacing for accurate placement

Series connections: 230VAC

Primary: input 1 and 4, connect 2 and 3  
Secondary: output 5 and 8, connect 6 and 7

Parallel connections: 115VAC

Primary: input 1 and 2, connect 1 and 3, 2 and 4  
Secondary: output 5 and 6, connect 5 and 7, 6 and 8



DIMENSIONS: in.

\* Has 4 mounting holes on 2.188 x 1.75 centers

Power (VA)	Dimensions: in.						
	H	W	L	ML	A	B	C
1.1	0.9375	1.125	1.375	-	0.25	0.25	1.20
2.5	1.188	1.125	1.375	-	0.25	0.25	1.20
6.0	1.313	1.313	1.625	1.063	0.25	0.35	1.28
12.0	1.438	1.563	1.875	1.250	0.30	0.40	1.41
20.0	1.438	1.875	2.250	1.500	0.30	0.40	1.60
36.0	1.563	2.188	2.625	-	0.40	0.40	1.85

## Single Primary 115V, 6 Pins

For quantities greater than listed, call for quote.

MOUSER STOCK NO.	Power (VA)	Secondary		Price Each		
		Series	Parallel	1	10	25
553-F24-045C2	1.1	24.0VAC CT @ 0.045A	12.0VAC @ 0.09A	7.51	6.38	5.71
553-F10-250	2.5	10.0VAC CT @ 0.25A	5.0VAC @ 0.5A	7.64	6.49	5.81
553-F12-200	2.5	12.6VAC CT @ 0.2A	6.3VAC @ 0.4A	7.64	6.49	5.81
553-F16-150	2.5	16.0VAC CT @ 0.15A	8.0VAC @ 0.3A	7.64	6.49	5.81
553-F36-65	2.5	36.0VAC CT @ 0.065A	18.0VAC @ 0.13A	7.64	6.49	5.81
553-F12-500	6.0	12.6VAC CT @ 0.5A	6.3VAC @ 1.0A	8.64	7.34	6.57
553-F16-400	6.0	16.0VAC CT @ 0.4A	8.0VAC @ 0.8A	8.64	7.34	6.57
553-F20-300	6.0	20.0VAC CT @ 0.3A	10.0VAC @ 0.6A	8.64	7.34	6.57
553-F24-250	6.0	24.0VAC CT @ 0.25A	12.0VAC @ 0.5A	8.64	7.34	6.57
553-F28-200	6.0	28.0VAC CT @ 0.2A	14.0VAC @ 0.4A	8.64	7.34	6.57
553-F10-1200	12.0	10.0VAC CT @ 1.2A	5.0VAC @ 2.4A	9.91	8.42	7.53
553-F12-1000	12.0	12.6VAC CT @ 1.0A	6.3VAC @ 2.0A	9.91	8.42	7.53
553-F20-600	12.0	20.0VAC CT @ 0.6A	10.0VAC @ 1.2A	9.91	8.42	7.53
553-F24-500	12.0	24.0VAC CT @ 0.5A	12.0VAC @ 1.0A	9.91	8.42	7.53
553-F20-1000	20.0	20.0VAC CT @ 1.0A	10.0VAC @ 2.0A	11.84	9.99	8.99
553-F16-2250	36.0	16.0VAC CT @ 2.25A	8.0VAC @ 4.5A	15.27	12.98	11.61

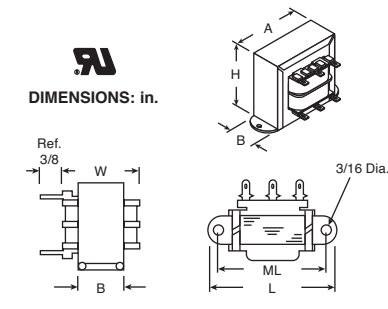
## Dual Primary 115V/230V, 8 Pins

For quantities greater than listed, call for quote.

MOUSER STOCK NO.	Power (VA)	Secondary		Price Each		
		Series	Parallel	1	10	25
553-FS24-045	1.1	24.0VAC CT @ 0.045A	12.0VAC @ 0.09A	8.62	7.45	6.67
553-FS48-023	1.1	48.0VAC CT @ 0.023A	24.0VAC @ 0.046A	8.71	7.40	6.62
553-FS12-200	2.5	12.6VAC CT @ 0.2A	6.3VAC @ 0.4A	9.00	7.65	6.84
553-FS16-150	2.5	16.0VAC CT @ 0.15A	8.0VAC @ 0.3A	9.00	7.65	6.84
553-FS24-100	2.5	24.0VAC CT @ 0.1A	12.0VAC @ 0.2A	9.00	7.26	6.53
553-FS36-65	2.5	36.0VAC CT @ 0.065A	18.0VAC @ 0.13A	9.00	7.65	6.84
553-FS48-050	2.5	48.0VAC CT @ 0.05A	24.0VAC @ 0.1A	9.00	7.65	6.84
553-FS10-600	6.0	10.0VAC CT @ 0.6A	5.0VAC @ 1.2A	9.60	8.16	7.30
553-FS12-500	6.0	12.6VAC CT @ 0.5A	6.3VAC @ 1.0A	9.60	8.16	7.30
553-FS16-400	6.0	16.0VAC CT @ 0.4A	8.0VAC @ 0.8A	9.60	8.16	7.30
553-FS20-300	6.0	20.0VAC CT @ 0.3A	10.0VAC @ 0.6A	9.60	8.16	7.30
553-FS24-250	6.0	24.0VAC CT @ 0.25A	12.0VAC @ 0.5A	9.77	7.20	6.58
553-FS28-200	6.0	28.0VAC CT @ 0.2A	14.0VAC @ 0.4A	9.60	8.16	7.30
553-FS36-170	6.0	36.0VAC CT @ 0.17A	18.0VAC @ 0.34A	9.60	8.16	7.30
553-FS12-1000	12.0	12.6VAC CT @ 1.0A	6.3VAC @ 2.0A	11.00	9.35	8.36
553-FS16-800	12.0	16.0VAC CT @ 0.8A	8.0VAC @ 1.6A	11.00	9.35	8.36
553-FS20-600	12.0	20.0VAC CT @ 0.6A	10.0VAC @ 1.2A	11.00	9.35	8.36
553-FS24-500	12.0	24.0VAC CT @ 0.5A	12.0VAC @ 1.0A	11.00	9.35	8.36
553-FS28-420	12.0	28.0VAC CT @ 0.42A	14.0VAC @ 0.84A	11.00	9.35	8.36
553-FS36-350	12.0	36.0VAC CT @ 0.35A	18.0VAC @ 0.7A	11.00	9.35	8.36
553-FS12-1600	20.0	12.6VAC CT @ 1.6A	6.3VAC @ 3.2A	13.51	11.48	10.27
553-FS20-1000	20.0	20.0VAC CT @ 1.0A	10.0VAC @ 2.0A	13.51	11.48	10.27
553-FS24-800	20.0	24.0VAC CT @ 0.8A	12.0VAC @ 1.6A	13.51	11.48	10.27
553-FS24-1800	36.0	20.0VAC CT @ 1.8A	10.0VAC @ 3.6A	16.84	14.31	12.80
553-FS20-1500	36.0	24.0VAC CT @ 1.5A	12.0VAC @ 3.0A	16.84	14.31	12.80
553-FS28-1300	36.0	28.0VAC CT @ 1.3A	14.0VAC @ 2.6A	16.84	14.31	12.80
553-FS36-1000	36.0	36.0VAC CT @ 1.0A	18.0VAC @ 2.0A	16.84	14.31	12.80

## TRIAD QUICK PACK® POWER TRANSFORMERS

The Triad Quick Pack® offers a significant reduction in size and weight for a given VA rating. They are available in 5 sizes for a wide variety of applications. Quick Pack® transformers are bobbin wound for reduced size and small operating space, plus split bobbin nonconcentric winding eliminates costly electrostatic shielding. Termination is suitable for quick connects or soldering.



### Features:

- Hi-pot tested at 2,500VRMS
- Class B insulation for max. temperature of 130°C
- Terminal size is .187" x .021"
- UL recognized
- Mounting hole size: 0.188"

Output (VA)	Dimensions: in.					
	L	W	H	A	B	ML
6.0	2.375	1.250	1.375	1.688	0.688	2.000
12.0	2.813	1.375	1.625	1.938	0.813	2.375
30.0	3.250	1.688	1.938	2.313	1.063	2.813
56.0	3.688	1.813	2.250	2.688	1.063	3.125
100.0	4.031	2.250	2.563	3.063	1.313	3.563

## Single Primary 115VAC

MOUSER STOCK NO.	Output (VA)	Output Rating	Price Each		
			1	10	25
553-F4-12	6.0	12.6VAC CT @ 0.5A	8.40	7.14	6.38
553-F4-120	6.0	120.0VAC CT @ 0.05A	8.40	7.14	6.38
553-F5-10	12.0	10.0VAC CT @ 1.2A	9.20	7.82	6.99
553-F5-12	12.0	12.6VAC CT @ 1.0A	9.20	7.82	6.99
553-F5-16	12.0	16.0VAC CT @ 0.8A	9.20	7.82	6.99
553-F6-10	30.0	10.0VAC CT @ 3.0A	12.51	10.63	9.51
553-F6-12	30.0	12.6VAC CT @ 2.5A	12.51	10.63	9.51
553-F6-24	30.0	24.0VAC CT @ 1.25A	12.51	10.63	9.51
553-F7-20	56.0	20.0VAC CT @ 2.8A	17.40	14.79	13.22
553-F7-24	56.0	24.0VAC CT @ 2.4A	17.40	14.79	13.22
553-F8-12	100.0	12.6VAC CT @ 8.0A	25.00	21.25	18.99
553-F8-24	100.0	24.0VAC CT @ 4.0A	25.00	21.25	18.99

## Dual Primary 115/230VAC

MOUSER STOCK NO.	Power (VA)	Secondary	Price Each		
			1	10	25
553-FD4-120	6.0	120.0VAC CT @ 0.05A	10.24	8.70	7.78
553-FD5-16	12.0	16.0VAC CT @ 0.8A	11.09	9.66	8.63
553-FD6-12	30.0	12.6VAC CT @ 2.5A	14.71	12.50	11.18
553-FD6-20	30.0	20.0VAC CT @ 1.5A	14.71	12.50	11.18
553-FD7-16	56.0	16.0VAC CT @ 3.5A	18.00	15.30	13.68
553-FD7-24	56.0	24.0VAC CT @ 2.4A	18.00	15.30	13.68
553-FD7-36	56.0	36.0VAC CT @ 1.5A	18.00	15.30	13.68

## TRIAD FLAT PACK POWER TRANSFORMERS

For quantities greater than listed, call for quote.

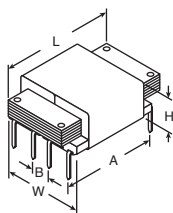
The Triad Flat Pack power transformer is designed to meet the needs of low clearance PC board and solid state power designs. These units can also be used for control and instrumentation applications. Voltages and currents were chosen for widely used power applications. It is offered in a dual primary and dual secondary configuration.

### Features:

- Split bobbin with side-by-side windings to reduce capacitance and eliminate the need for a static shield
- Low profile: Allows 3/4" card spacing for 2.5VA units, allows 1" card spacing for 6VA units, allows 1 1/4" card spacing for 12VA units

### Specifications:

- Hi-pot tested at 2000VRMS
- Primary: 115/230VAC, 50/60Hz



RoHS Compliant

Power (VA)	Dimensions: in.				
	H	W	L	A	B
2.5	0.650	1.562	1.875	1.600	0.375
6.0	0.875	1.562	1.875	1.600	0.375
12.0	1.062	2.000	2.500	2.000	0.500

MOUSER STOCK NO.	Power (VA)	Secondary		Price Each		
		Series	Parallel	1	10	25
553-FP10-250	2.5	10.0VAC CT @ 0.25A	5.0VAC @ 0.5A	10.76	9.15	8.18
553-FP12-200	2.5	12.6VAC CT @ 0.2A	6.3VAC @ 0.4A	10.76	9.15	8.18
553-FP12-475	6.0	12.6VAC CT @ 0.475A	6.3VAC @ 0.95A	11.99	10.20	9.13
553-FP16-375	6.0	16.0VAC CT @ 0.375A	8.0VAC @ 0.75A	11.99	10.20	9.13
553-FP20-300	6.0	20.0VAC CT @ 0.3A	10.0VAC @ 0.6A	11.99	10.20	9.13
553-FP24-500	6.0	24.0VAC CT @ 0.25A	12.0VAC @ 0.5A	11.99	10.20	9.13
553-FP30-200	6.0	30.0VAC CT @ 0.2A	15.0VAC @ 0.4A	11.99	10.20	9.13
553-FP40-150	6.0	40.0VAC CT @ 0.15A	20.0VAC @ 0.3A	11.99	10.20	9.13
553-FP20-25	6.0	230.0VAC CT @ 0.025A	115.0VAC @ 0.05A	11.99	10.20	9.13
553-FP12-950	12.0	12.6VAC CT @ 0.95A	6.3VAC @ 1.9A	13.99	11.90	10.64
553-FP16-750	12.0	16.0VAC CT @ 0.75A	8.0VAC @ 1.5A	13.99	11.90	10.64
553-FP20-600	12.0	20.0VAC CT @ 0.6A	10.0VAC @ 1.2A	13.99	11.90	10.64
553-FP24-500	12.0	24.0VAC CT @ 0.5A	12.0VAC @ 1.0A	12.10	10.60	9.30
553-FP30-400	12.0	30.0VAC CT @ 0.4A	15.0VAC @ 0.8A	13.99	11.90	10.64
553-FP34-340	12.0	34.0VAC CT @ 0.34A	17.0VAC @ 0.68A	13.99	11.90	10.64
553-FP40-300	12.0	40.0VAC CT @ 0.3A	20.0VAC @ 0.6A	13.99	11.90	10.64