

TRIAD Power Transformers

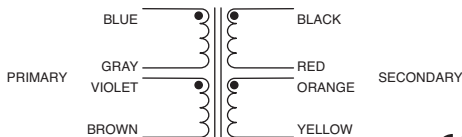
TRIAD

RoHS Compliant This product is RoHS compliant.

TRIAD VPT TOROIDAL POWER TRANSFORMER SERIES

Specifications:

- Power range: up to 2.5KVA
- Primary: 115/230VAC, 50/60Hz
- Secondary: Dual for parallel or series connection
- Insulation Class: Class B, 130°C
- Dielectric isolation (Pri to Sec): 4KV for 60 secs.
- High efficiency and low stray fields
- RoHS compliant



RoHS Compliant

For quantities greater than listed, call for quote.

MOUSER STOCK NO.	Triad Part No.	VA	Secondary		Regulation	O.D. (mm)	Height (mm)	Weight (kg)	Temp. rise deg (C)	Price Each		
			Series	Parallel						1	10	25
553-VPT12-2080	VPT12-2080	25	12.0V CT @ 2.08A	6.0V @ 4.16A	12.0%	71	32	0.4	30	19.68	16.73	13.78
553-VPT18-1390	VPT18-1390	25	18.0V CT @ 1.39A	9.0V @ 2.78A	12.0%	71	32	0.4	30	19.68	16.73	13.78
553-VPT24-1040	VPT24-1040	25	24.0V CT @ 1.04A	12V @ 2.08A	12.0%	71	32	0.4	30	19.68	16.73	13.78
553-VPT30-830	VPT30-830	25	30.0V CT @ 0.83A	15.0V @ 1.66A	12.0%	71	32	0.4	30	19.68	16.73	13.78
553-VPT36-690	VPT36-690	25	36.0V CT @ 0.69A	18V @ 1.38A	12.0%	71	32	0.4	30	19.68	16.73	13.78
553-VPT48-520	VPT48-520	25	48.0V CT @ 0.52A	24.0V @ 1.04A	12.0%	71	32	0.4	30	19.68	16.73	13.78
553-VPT230-110	VPT230-110	25	230.0V CT @ 0.11A	115V @ 0.22A	12.0%	71	32	0.4	30	19.68	16.73	13.78
553-VPT12-4170	VPT12-4170	50	12.0V CT @ 4.17A	6.0V @ 8.34A	13.5%	80	33	0.6	40	29.91	25.42	20.94
553-VPT18-2780	VPT18-2780	50	18.0V CT @ 2.78A	9.0V @ 5.56A	13.5%	80	33	0.6	40	29.91	25.42	20.94
553-VPT24-2080	VPT24-2080	50	24.0V CT @ 2.08A	12V @ 4.16A	13.5%	80	33	0.6	40	29.91	25.42	20.94
553-VPT30-1670	VPT30-1670	50	30.0V CT @ 1.67A	15.0V @ 3.34A	13.5%	80	33	0.6	40	29.91	25.42	20.94
553-VPT36-1390	VPT36-1390	50	36.0V CT @ 1.39A	18V @ 2.78A	13.5%	80	33	0.6	40	29.91	25.42	20.94
553-VPT48-1040	VPT48-1040	50	48.0V CT @ 1.04A	24.0V @ 2.08A	13.5%	80	33	0.6	40	29.91	25.42	20.94
553-VPT230-220	VPT230-220	50	230.0V CT @ 0.22A	115V @ 0.44A	13.5%	80	33	0.6	40	29.91	25.42	20.94
553-VPT12-8330	VPT12-8330	100	12.0V CT @ 8.33A	6.0V @ 16.66A	11.5%	87	47	1.0	44	39.69	33.74	27.78
553-VPT18-5560	VPT18-5560	100	18.0V CT @ 5.56A	9.0V @ 11.12A	11.5%	87	47	1.0	44	39.69	33.74	27.78
553-VPT24-4170	VPT24-4170	100	24.0V CT @ 4.17A	12V @ 8.34A	11.5%	87	47	1.0	44	39.69	33.74	27.78
553-VPT30-3330	VPT30-3330	100	30.0V CT @ 3.33A	15.0V @ 6.66A	11.5%	87	47	1.0	44	39.69	33.74	27.78
553-VPT36-2780	VPT36-2780	100	36.0V CT @ 2.78A	18V @ 5.56A	11.5%	87	47	1.0	44	39.69	33.74	27.78
553-VPT48-2080	VPT48-2080	100	48.0V CT @ 2.08A	24.0V @ 4.16A	11.5%	87	47	1.0	44	39.69	33.74	27.78
553-VPT230-430	VPT230-430	100	230.0V CT @ 0.43A	115V @ 0.86A	11.5%	87	47	1.0	44	39.69	33.74	27.78
553-VPT12-13300	VPT12-13300	160	12.0V CT @ 13.3A	6.0V @ 26.6A	10.0%	103	48	1.6	48	55.93	47.54	39.15
553-VPT18-8800	VPT18-8800	160	18.0V CT @ 8.8A	9.0V @ 17.60A	10.0%	103	48	1.6	48	55.93	47.54	39.15
553-VPT24-6670	VPT24-6670	160	24.0V CT @ 6.67A	12V @ 13.34A	10.0%	103	48	1.6	48	55.93	47.54	39.15
553-VPT30-5330	VPT30-5330	160	30.0V CT @ 5.33A	15.0V @ 10.66A	10.0%	103	48	1.6	48	55.93	47.54	39.15
553-VPT36-4440	VPT36-4440	160	36.0V CT @ 4.44A	18V @ 8.88A	10.0%	103	48	1.6	48	55.93	47.54	39.15
553-VPT48-3300	VPT48-3300	160	48.0V CT @ 3.33A	24.0V @ 6.66A	10.0%	103	48	1.6	48	55.93	47.54	39.15
553-VPT230-700	VPT230-700	160	230.0V CT @ 0.70A	115V @ 1.40A	10.0%	103	48	1.6	48	55.93	47.54	39.15
553-VPT12-20800	VPT12-20800	250	12.0V CT @ 20.8A	6.0V @ 41.60A	9.0%	112	54	2.2	53	76.79	65.27	53.75
553-VPT18-13800	VPT18-13800	250	18.0V CT @ 13.8A	9.0V @ 27.60A	9.0%	112	54	2.2	53	76.79	65.27	53.75
553-VPT24-10420	VPT24-10420	250	24.0V CT @ 10.42A	12V @ 20.84A	9.0%	112	54	2.2	53	76.79	65.27	53.75
553-VPT36-6940	VPT36-6940	250	36.0V CT @ 6.94A	18V @ 13.88A	9.0%	112	54	2.2	53	76.79	65.27	53.75
553-VPT48-5200	VPT48-5200	250	48.0V CT @ 5.2A	24.0V @ 10.4A	9.0%	112	54	2.2	53	76.79	65.27	53.75
553-VPT230-1090	VPT230-1090	250	230.0V CT @ 1.09A	115V @ 2.18A	9.0%	112	54	2.2	53	76.79	65.27	53.75
553-VPT48-10400	VPT48-10400	500	48.0V CT @ 10.4A	24V @ 20.8A	5.5%	140	60	4.2	48	119.26	101.37	83.48
553-VPT100-5000	VPT100-5000	500	100.0V CT @ 5.0A	50V @ 10.0A	5.5%	140	60	4.2	48	119.26	101.37	83.48
553-VPT230-2170	VPT230-2170	500	230.0V CT @ 2.17A	115V @ 4.34A	5.5%	140	60	4.2	48	119.26	101.37	83.48
553-VPT48-20830	VPT48-20830	1000	48.0V CT @ 20.83A	24.0V @ 41.66A	4.0%	175	68	8.2	48	168.78	151.90	143.46
553-VPT100-10000	VPT100-10000	1000	100.0V CT @ 10.0A	50V @ 20.0A	4.0%	175	68	8.2	48	168.78	151.90	143.46
553-VPT230-4350	VPT230-4350	1000	230.0V CT @ 4.35A	115V @ 8.70A	4.0%	175	68	8.2	48	168.78	151.90	143.46
553-VPT100-25000	VPT100-25000	2500	100.0V CT @ 25.0A	50V @ 50.0A	2.5%	208	112	19.4	45	298.22	268.40	253.49
553-VPT230-10870	VPT230-10870	2500	230.0V CT @ 10.87A	115V @ 21.74A	2.5%	208	112	19.4	45	298.22	268.40	253.49

TRIAD MINIATURE AUDIO TRANSFORMERS

Red Spec High-Reliability Audio Transformers

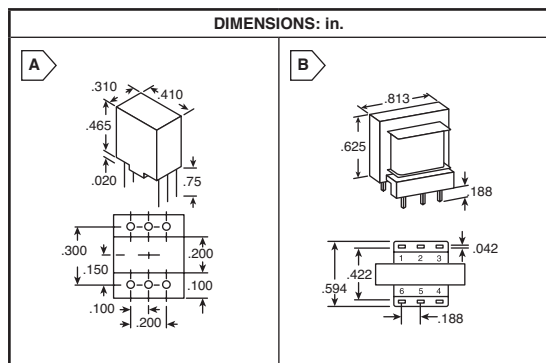
- Impedance matching: 10% over frequency range
- Hi-pot tested at 1000 V_{RMS}
- Meets MIL-T-27E
- Working voltage: 150VDC
- MIL Type: TF5S21ZZ (transformers); TF5S20ZZ (chokes)
- Frequency response: 300Hz-50kHz



RoHS Compliant

§ = Split winding

For quantities greater than listed, call for quote.



MOUSER STOCK NO.	Fig.	Power (mW)	Impedance (Ω)		DC Resistance (Ω)		Turns Ratio	Price Each		
			Primary	Secondary	Primary	Secondary		1	10	25
553-SP4	A	10	200K CT	1K CT	5300	100	14.1:1.0	18.76	16.57	14.62
553-SP5	A	25	50K CT	1K CT	3800	75	7.1:1.0	18.62	16.45	14.52
553-SP20	A	50	10K CT	1.2K CT	1050	200	2.88:1.0	18.38	16.23	14.35
553-SP21	A	50	10K CT	2K CT	1050	330	2.24:1.0	18.72	16.52	14.58
553-SP33	A	50	1K	50	145	8	4.4:1.0	13.74	12.96	11.80
553-SP50	A	50	500 CT	600	67	98	1.0:1.1	12.99	12.26	11.16
553-SP66	A	50	10K CT	10K CT	1000	1300	1.0:1.0	13.50	12.75	11.60
553-SP67	A	50	600 CT	600 CT	72	92	1.0:1.0	14.05	13.55	12.90
553-SP69	A	50	600	600 CT/150§	72	40/45§	2.0:1.0:1.0	14.78	13.94	12.73
553-SP70	A	50	600	600	72	92	1.0:1.0	13.93	13.15	12.00
Shield	-	-	-	-	-	-	-	-	-	-
553-SP310	-	-	-	-	-	-	-	3.40	2.89	2.57

TY Series Plug-In PC Audio Transformers

- Impedance matching: 10% over frequency range
- Frequency response: 200-15kHz

§ = Split winding

For quantities greater than listed, call for quote.

MOUSER STOCK NO.	Fig.	Power	Impedance (Ω)		Primary Current (mA)	Price Each		
			Primary	Secondary		1	10	25
553-TY141P	B	100mW	10K CT	10K CT	4	3.89	3.31	2.96
553-TY142P	B	100mW	10K CT	2K CT	4	3.89	3.31	2.96
553-TY144P	B	100mW	15K CT	15K CT	4	3.89	3.31	2.96
553-TY145P	B	100mW	600 CT	600 CT	15	3.88	3.31	2.96
553-TY146P	C	1W	600 CT/150§	600 CT/150§	-	7.22	6.14	5.49