

WHITE RODGERS Power Contactors and Thermostats

White
Rodgers™

DC POWER CONTACTORS

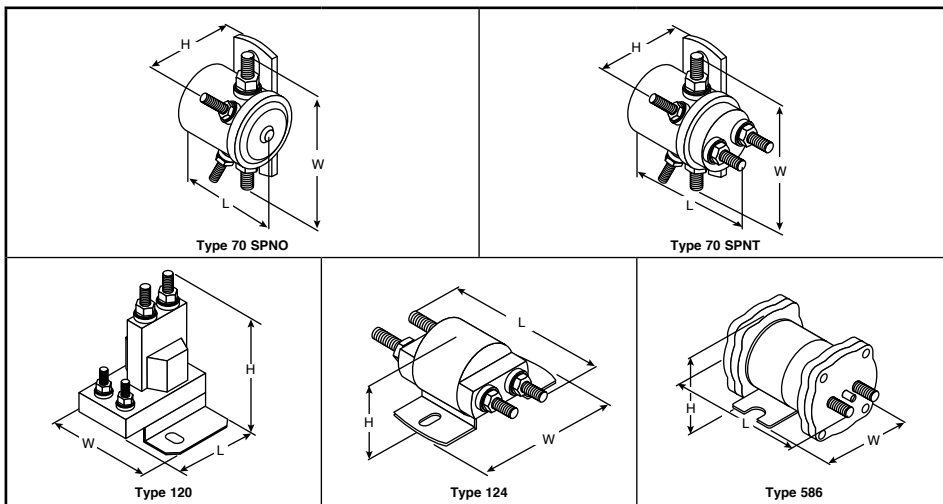
- Industry benchmark designs
- Superior quality and materials
- Broad range of coil voltages and contact ratings
- Long operating life
- Versatile mounting and termination

Features:

- Heavy duty mounting brackets
- Robust 5/16" - 24 studs
- Rated for Continuous Duty or Intermittent Duty
- Isolated, grounded, and common coil configurations available
- Dust and splash proof designs available

Specifications:

- Contact Pole Forms:
 - Single Pole Normally Open (SPNO)
 - Single Pole Double Throw (SPDT)
- Coil Voltages:
 - Ranging from 6VDC to 96VDC
- Operating Temperatures:
 - Ranging from -20°F to 150°F (Ambient)
- Contact Ratings:
 - Normally Open
 - Ranging from 50A to 500A Continuous
 - Ranging from 200A to 1200A Inrush
 - Normally Closed
 - Ranging from 30A to 100A Continuous
 - Ranging from 30A to 300A Inrush
- Duty Cycle: Continuous



For quantities greater than listed, call for quote.

MOUSER STOCK NO.	White Rodgers Part No.	Pole Form	Bracket Style	Coil Volt DC	Coil Resistance (Ω) @ 25°C	Contact Material	Contact Rating (Amps)				Dimensions: in.			Wt. (lbs.)	Price Each			
							Inductive Load		Norm. Open		L	W	H		1	10	50	
							Cont.	Inrush	Cont.	Inrush								
Type 70																		
802-70-901	70-901	SPNO	Standard	6	4	Copper	6	80	300	-	-	2.47	3.48	2.40	0.78	27.08	24.51	22.42
802-70-914	70-914	SPNO	Standard	12	16	Copper	12	80	150	-	-	2.47	3.48	2.40	0.78	24.82	23.09	21.59
802-70-902	70-902	SPNO	Standard	12	16	Copper	12	80	150	-	-	2.47	3.48	2.40	0.78	17.49	16.27	15.21
802-70-915	70-915	SPNO	Standard	24	60	Copper	24	50	50	-	-	2.47	3.48	2.40	0.78	30.64	28.36	26.04
802-70-903	70-903	SPNO	Standard	24	60	Copper	24	50	50	-	-	2.47	3.48	2.40	0.78	24.18	22.50	21.04
802-70-904	70-904	SPNO	Standard	36	114	Copper	36	50	50	-	-	2.47	3.48	2.40	0.78	30.39	28.13	25.35
Type 120																		
802-120-901	120-901	SPNO	Standard	12	16	Silver Alloy	12	100	400	-	-	2.13	2.88	3.25	0.38	26.29	24.10	21.91
802-120-907	120-907	SPNO	L	12	16	Silver Alloy	12	100	400	-	-	2.50	3.00	3.25	0.38	22.01	20.48	19.15
802-120-904	120-904	SPNO	Standard	24	64	Silver Alloy	24	100	400	-	-	2.13	2.88	3.25	0.38	16.89	15.63	14.36
Type 124																		
802-124-906	124-906	SPNO	Standard	12	13.2	Silver Alloy	12	100	400	-	-	3.56	3.13	2.19	1.00	58.93	53.96	51.34
802-124-902	124-902	SPNO	Standard	12	13.2	Silver Alloy	12	100	400	-	-	3.56	3.13	2.19	1.00	50.51	46.30	42.09
802-124-910	124-910	SPDT	Standard	12	13.2	Silver Alloy	12	200	600	50	200	4.69	3.13	2.19	1.19	72.55	66.51	60.45
802-124-903	124-903	SPNO	Standard	24	53	Silver Alloy	24	100	400	-	-	3.56	3.13	2.19	1.00	46.77	42.87	38.97
802-124-911	124-911	SPDT	Standard	24	53	Silver Alloy	24	200	600	50	100	4.69	3.13	2.19	1.19	64.34	59.87	55.98
802-124-904	124-904	SPNO	Standard	36	120	Silver Alloy	36	100	400	-	-	3.56	3.13	2.19	1.00	52.89	47.97	43.91
Type 586																		
802-586-902	586-902	SPNO	Standard	12	21	Silver Alloy	12	200	600	-	-	3.69	3.30	2.90	1.50	52.05	47.72	43.38
802-586-905	586-905	SPNO	Standard	24	84	Silver Alloy	24	200	600	-	-	3.69	3.30	2.90	1.50	77.32	70.88	64.44
802-586-906	586-906	SPNO	Standard	36	189	Silver Alloy	36	200	600	-	-	3.69	3.30	2.90	1.50	77.32	70.88	64.44
802-586-907	586-907	SPNO	Standard	48	336	Silver Alloy	36	200	600	-	-	3.69	3.30	2.90	1.50	58.76	54.68	51.13
802-586-911	586-911	SPDT	Standard	12	13.2	Silver Alloy	12	200	600	100	300	4.61	3.30	2.90	1.63	82.44	76.71	71.73
802-586-914	586-914	SPDT	Standard	24	53	Silver Alloy	24	200	600	100	200	4.61	3.30	2.90	1.63	116.71	106.31	97.51

SNAP ACTION DISC THERMOSTATS

Features:

- Loose ring, stainless steel mounting brackets
- 1/4" quick connect termination
- Automatic reset
- Enclosed Disc
- Aluminum Disc Cup

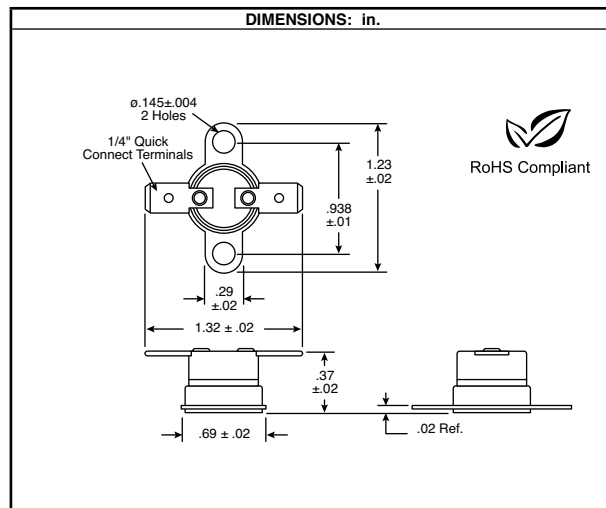
Specifications:

- Single Pole, Single Throw
- Available in either open or close on temperature rise
- Consult factory for D.C. rating

- General Electrical Ratings
- Resistive: 15A @ 120VAC, 10A @ 240VAC
- Inductive: 3.0FLA-12.0LRA @ 120VAC, 1.5FLA-6.0LRA @ 240VAC
- Pilot Duty: 125VA

For quantities greater than listed, call for quote.

MOUSER STOCK NO.	White Rodgers Part No.	Operating Range†		Function††	Differential†††	Price Each		
		°F	°C			1	10	50
802-STO-60	3L11-60	55 to 65	13 to 18	Opens	20°F 12°C	4.70	4.57	4.46
802-STO-85	3L11-85	80 to 90	27 to 32	Opens	15°F 8°C	5.53	5.38	5.25
802-STC-100	3F11-100	93 to 107	34 to 42	Closes	30°F 17°C	4.70	4.57	4.46
802-STO-110	3F11-110	105 to 115	41 to 46	Opens	30°F 17°C	4.90	4.55	4.11
802-STC-120	3F11-120	113 to 127	45 to 53	Closes	30°F 17°C	4.66	4.41	4.32
802-STO-120	3L11-120	115 to 125	46 to 52	Opens	30°F 17°C	4.70	4.57	4.46
802-STC-140	3F11-140	133 to 147	56 to 64	Closes	30°F 17°C	5.92	5.51	5.15
802-STO-140	3L11-140	135 to 145	57 to 63	Opens	30°F 17°C	4.70	4.57	4.46
802-STO-150	3L11-150	145 to 155	63 to 68	Opens	30°F 17°C	4.90	4.55	4.11
802-STO-160	3L11-160	155 to 165	68 to 74	Opens	30°F 17°C	6.82	6.59	6.46
802-STO-170	3L11-170	165 to 175	74 to 79	Opens	30°F 17°C	4.70	4.57	4.46
802-STC-170	3F11-170	162 to 178	72 to 81	Closes	30°F 17°C	5.92	5.51	5.15
802-STO-175	3L11-175	170 to 180	77 to 82	Opens	15°F 8°C	5.63	5.23	4.72
802-STC180	3F11-180	172 to 188	78 to 87	Closes	30°F 17°C	4.90	4.55	4.11
802-STO-180	3L11-180	175 to 185	79 to 85	Opens	30°F 17°C	4.90	4.55	4.11
802-STO-190	3L11-190	185 to 195	85 to 91	Opens	30°F 17°C	4.70	4.57	4.46
802-STO-210	3L11-210	204 to 216	96 to 102	Opens	30°F 17°C	6.81	6.33	5.92
802-STO-220	3L11-175	214 to 226	101 to 108	Opens	30°F 17°C	4.90	4.55	4.11
802-STC225	3L11-175	217 to 232	103 to 111	Closes	30°F 17°C	4.90	4.55	4.11
802-STO-230	3L11-175	224 to 236	107 to 113	Opens	30°F 17°C	5.14	4.78	4.31
802-STO-250	3L11-250	244 to 256	118 to 124	Opens	30°F 17°C	5.92	5.51	5.15
802-STO-325	3L11-325	315 to 335	157 to 169	Opens	50°F 28°C	5.92	5.51	5.15



- † Operating Range: Range of temperature at which disc thermostat performs switching function.
- †† Function: Opens - Normally closed circuit - opens within specified temperature range. Closes - Normally open circuit - closes within specified temperature range.
- ††† Differential: Temperature drop below operating range minimum necessary for disc to reset.