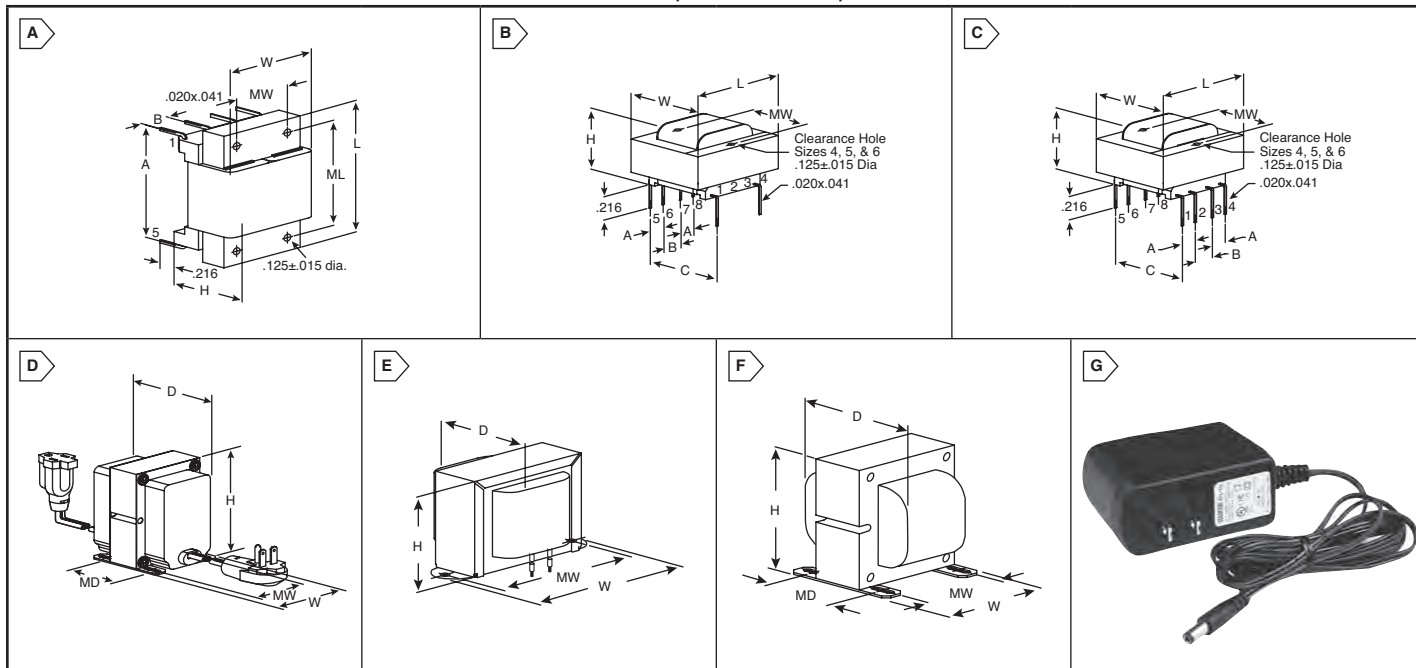


STANCOR Transformers and AC Adapters

STANCOR

RoHS Compliant This product is RoHS compliant.



STANCOR PC MOUNT TRANSFORMERS

"Low Boy" LB Series

• Input Voltage: 115/230V, 50/60Hz

For quantities greater than listed, call for quote.

MOUSER STOCK NO.	Stancor Part No.	Fig.	V.A.	Primary Winding	Rated Output			Dimensions: in.						Wt. (lbs.)	Price Each					
					Individual Volts mA	Series Volts mA	Parallel Volts mA	H	W	L	Mounting W	Mounting L	A		B	1	10	50		
802-LB-620	LB-620	A	6	Dual	-	-	20.0 CT 300	10	600	0.88	1.56	1.88	0.88	1.62	1.60	0.38	0.34	13.70	12.56	11.77
802-LB-1224	LB-1224	A	12	Dual	-	-	24.0 CT 500	12	1000	1.06	2.00	2.50	1.00	2.00	2.00	0.50	0.72	13.23	12.41	11.85

"Side Winder" SW/DSW Series

• Input Voltage: SW=115VAC, 50/60Hz; DSW=115/230V, 50/60Hz

For quantities greater than listed, call for quote.

MOUSER STOCK NO.	Stancor Part No.	Fig.	V.A.	Primary Winding	Rated Output			Dimensions: in.						Wt. (lbs.)	Price Each					
					Individual Volts mA	Series Volts mA	Parallel Volts mA	H	W	L	Mounting W	A	B		C	1	10	50		
802-SW-316	SW-316	B	2.50	Single	8	150	16.0 CT 150	8	300	1.19	1.13	1.38	-	0.25	0.25	1.20	0.25	8.89	8.15	7.64
802-DSW-316	DSW-316	C	2.50	Dual	8	150	16.0 CT 150	8	300	1.19	1.13	1.38	-	0.25	0.25	1.20	0.25	9.25	8.67	8.28
802-SW-616	SW-616	B	20.0	Single	8	1250	16.0 CT 1250	8	2500	1.44	1.88	2.25	1.50	0.30	0.40	1.60	0.80	16.79	15.67	15.11
802-DSW-520	DSW-520	C	12.0	Dual	10	600	20.0 CT 600	10	1200	1.44	1.56	1.88	1.25	0.30	0.40	1.41	0.70	11.36	10.65	10.18

STANCOR AUTO/ISOLATION TRANSFORMERS

For quantities greater than listed, call for quote.

MOUSER STOCK NO.	Stancor Part No.	Fig.	Type	Voltage Step	Input Voltage	Output Voltage	Amps	V.A. Cap.	Dimensions: in.					Wt. (lbs.)	Price Each		
									H	W	D	Mounting W	Mounting D		1	10	50
802-GSD-500	GSD-500	D	Auto	Down	230	115	4.30	500	4.63	3.81	4.44	3.00	3.19	10.6	104.81	96.31	90.64
802-GSD-750	GSD-750	D	Auto	Down	230	115	6.50	750	4.63	3.81	5.38	3.00	3.94	14.4	127.93	117.56	110.64
802-GSD-1000	GSD-1000	D	Auto	Down	230	115	8.70	1000	4.63	3.81	6.06	3.00	4.69	17.0	181.60	171.07	165.97
802-GIS-500	GIS-500	D	Isolation	Straight	115	115	4.35	500	4.69	3.75	6.00	3.00	4.69	16.0	159.23	145.96	132.69
802-GIS-1000	GIS-1000	D	Isolation	Straight	115	115	8.70	1000	5.38	4.38	8.13	3.50	6.50	31.0	286.16	260.91	244.08
802-GISD-500	GISD-500	D	Isolation	Down	230	115	4.35	500	4.69	3.75	6.00	3.00	4.69	16.0	158.52	145.67	137.09
802-GISD-1000	GISD-1000	D	Isolation	Down	230	115	8.70	1000	5.38	4.38	8.13	3.50	6.50	31.0	261.26	252.55	243.85

STANCOR POWER TRANSFORMERS

Single Secondary

For quantities greater than listed, call for quote.

MOUSER STOCK NO.	Stancor Part No.	Fig.	Primary Volts	Secondary		Style	Insulation Test RMS	Dimensions: in.					Wt. (lbs.)	Price Each		
				Volts	Amps			H	W	D	Mounting W	Mounting D		1	10	50
802-P-6134	P-6134	E	117	6.3 CT	1.2	A	3000V	1.75	2.88	1.88	2.38	-	0.8	12.25	11.23	10.21
802-P-8392	P-8392	E	117	12	0.7	A	1500V	1.75	2.88	1.63	2.38	-	0.6	10.82	9.91	9.01
802-P-8384	P-8384	E	117	12.6 CT	1.0	A	1500V	2.00	3.25	1.75	2.81	-	0.9	19.82	18.65	17.28
802-P-8694	P-8694	E	115	24.0	2.0	A	1500V	2.63	4.00	2.00	3.56	-	2.3	25.54	23.36	21.61
802-P-8396	P-8396	E	117	24.0 CT	0.4	A	1500V	1.75	2.88	1.63	2.38	-	0.6	10.94	10.06	9.46
802-P-8663	P-8663	F	117	24.0 CT	4.0	NV	1500V	3.88	3.19	2.81	2.50	2.13	4.0	38.70	35.56	33.47
802-P-8542	P-8542	E	115/230	40.0 CT	0.25	A	2500V	1.75	2.88	1.63	2.38	-	0.8	16.94	15.53	14.12

Dual Primary, Dual Secondary

• Primary Volts: 115/230V, 50/60Hz

For quantities greater than listed, call for quote.

MOUSER STOCK NO.	Stancor Part No.	Fig.	Style	Schematic	V.A. Cap	Output from Two Secondary Windings			Dimensions: in.					Wt. (lbs.)	Price Each		
						Individual Volts Amp	Parallel Volts Amp	Series Volts Amp	H	W	D	Mounting W	Mounting D		1	10	50
802-P-6378	P-6378	F	NV	1	96	12 @ 4.00	12 @ 8.0	24 @ 4.00	3.50	2.81	3.25	2.25	2.31	4.2	35.99	33.07	31.13
802-P-8618	P-8618	F	NV	1	96	24 @ 2.00	24 @ 4.0	48 @ 2.00	3.50	2.81	3.25	2.25	2.31	4.2	33.49	30.77	28.97

STANCOR SPS SERIES, CEC SWITCHING POWER SUPPLIES



For quantities greater than listed, call for quote.

MOUSER STOCK NO.	Stancor Part No.	Fig.	Rated Output			Regulated/Unregulated	Dimensions: in. (mm)			Output Plug Inside Polarity	Price Each			
			Volts	mA	Watts		H	W	D		1	10	50	100
802-SPS-0612	SPS-0612	G	12	500	6.0	Regulated	2.50	1.12	1.75	Negative	19.28	17.67	16.06	14.73
802-SPS-1212	SPS-1212	G	12	1000	12.0	Regulated	2.94	1.19	1.62	Negative	24.26	22.24	20.21	18.53
802-SPS-1412	SPS-1412	G	12	1200	14.4	Regulated	2.94	1.38	2.19	Negative	24.56	22.51	20.46	18.76
802-SPS-1424	SPS-1424	G	24	600	14.4	Regulated	2.94	1.38	2.19	Negative	30.34	28.56	24.62	23.35