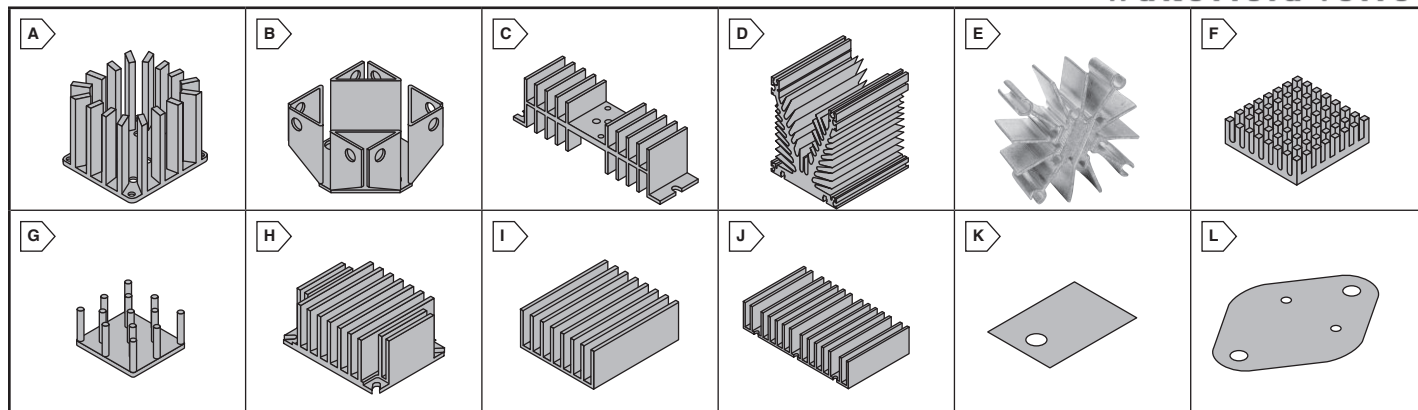


WAKEFIELD Heat Sinks and Accessories



POWER HEAT SINKS (CONT.)

* No semi-mounting hole pattern

For quantities greater than listed, call for quote.

MOUSER STOCK NO.	Wakefield Part No.	Fig.	Description	Dimensions: in. (mm) LxWxH	Price Each		
					1	10	100
567-680-125A	680-125A	A	TO-3, TO-220 Maximum Efficiency Omnidirectional	1.81 (45.97)x1.81 (45.97)x1.25 (31.75)	9.93	9.24	8.59
567-690-3B	690-3B	B	TO-3, TO-66, TO-220 Highest Efficiency/Lowest Unit Cost	1.86(47.2) Sqx1.31(33.3) Hgt	1.90	1.52	1.29
* 567-401-K	401-K	C	TO-3; Stud-Mount Double-Surface	4.75 (120.65)x1.5 (38.1)x1.25 (31.75)	11.61	11.03	10.48
567-401-A	401-A	C	TO-3; Stud-Mount Double-Surface, Mounting Hole	4.75 (120.65)x1.5 (38.1)x1.25 (31.75)	11.61	11.03	10.48
* 567-421-K	421-K	C	TO-3, Stud-Mount Low-Height Double-Surface	4.75 (120.65)x3.0 (76.2)x2.62 (66.55)	13.60	12.93	12.28
* 567-423-K	423-K	C	TO-3, Stud-Mount Low-Height Double-Surface	4.75 (120.65)x5.5 (139.7)x2.62 (66.55)	20.59	19.56	18.58
567-392-180AB	392-180AB	D	High-Performance, Power Modules, IGBT and Solid State Relays	7.09 (180)x4.92 (124.97)x5.34 (135.64)	122.13	115.92	110.21

HEAT SINKS FOR "STAR" LEDs

The radial design and fin area is ideally suited for natural convection applications such as ceiling lighting. A fan can also be used for increased performance in a forced convection application.



For quantities greater than listed, call for quote.

MOUSER STOCK NO.	Wakefield Part No.	Fig.	Description	Dimensions Height (mm)	Thermal Resistance	Price Each		
						1	10	100
882 Series								
567-882-50AB	882-50AB	E	Radial Fin Star LED Heatsink	.50 (12.7)	4.33 C/W	2.50	1.92	1.68
567-882-100AB	882-100AB	E	Radial Fin Star LED Heatsink	1.00 (25.4)	2.88 C/W	3.00	2.30	2.00
567-882-200AB	882-200AB	E	Radial Fin Star LED Heatsink	2.00 (50.8)	1.89 C/W	6.00	4.59	4.00
567-882-300AB	882-300AB	E	Radial Fin Star LED Heatsink	3.00 (76.2)	1.55 C/W	9.15	6.88	6.01

BGA HEAT SINKS

For quantities greater than listed, call for quote.

MOUSER STOCK NO.	Wakefield Part No.	Fig.	Description	Dimensions: in. (mm) LxWxH	Price Each		
					1	10	100
567-628-40AB	628-40AB	F	IntelDX4™, Intel 80486DX2™, and AM486™DX2, AM486™DX4	1.75 (44.45)x1.7 (43.18)x.40 (10.16)	2.38	1.90	1.62
567-628-65AB	628-65AB	F	IntelDX4™, Intel 80486DX2™, and AM486™DX2, AM486™DX4	1.75 (44.45)x1.7 (43.18)x.65 (16.51)	3.31	2.64	2.25
567-658-25AB	658-25AB	F	PowerQuad2™, 28-38mm Omnidirectional Pin Fin, No Tape	1.1 (27.94)x1.1 (27.94)x.25 (6.35)	1.08	.86	.734
567-658-35AB	658-35AB	F	PowerQuad2™, 28-38mm Omnidirectional Pin Fin, No Tape	1.1 (27.94)x1.1 (27.94)x.35 (8.89)	1.08	.86	.734
567-658-45AB	658-45AB	F	PowerQuad2™, 28-38mm Omnidirectional Pin Fin, No Tape	1.1 (27.94)x1.1 (27.94)x.45 (11.43)	1.15	.92	.78
567-658-60AB	658-60AB	F	PowerQuad2™, 28-38mm Omnidirectional Pin Fin, No Tape	1.1 (27.94)x1.1 (27.94)x.60 (15.24)	1.33	1.06	.90
567-658-60ABT3	658-60ABT3	F	PowerQuad2™, 28-38mm Omnidirectional Pin Fin, Chomerics T-412	1.1 (27.94)x1.1 (27.94)x.60 (15.24)	2.75	2.20	1.87
567-D10650-40	D10650-40	G	Pin Fin for 84 - 100 pin PQFP & 169 BGA	.65 (16.51)x.65 (16.51)x.40 (10.16)	2.01	1.44	1.03
567-D10850-40	D10850-40	G	Pin Fin for 128 - 208 Pin PQFP & 313 BGA	.85 (21.59)x.85 (21.59)x.40 (10.16)	2.67	1.95	1.74

DC/DC CONVERTER HEAT SINKS

• Black Anodize

For quantities greater than listed, call for quote.

MOUSER STOCK NO.	Wakefield Part No.	Fig.	Description	Dimensions: in. (mm) LxWxH	Price Each		
					1	10	100
567-537-24AB	537-24AB	H	Quarter Brick Horizontal Fin Orientation	1.45 (36.82)x2.28 (57.91)x.24 (6.1)	3.80	3.04	2.58
567-537-45AB	537-45AB	H	Quarter Brick Horizontal Fin Orientation	1.45 (36.82)x2.28 (57.91)x.45 (11.43)	5.50	4.40	3.74
567-537-95AB	537-95AB	H	Quarter Brick Horizontal Fin Orientation	1.45 (36.82)x2.28 (57.91)x.95 (24.13)	6.20	4.96	4.22
567-547-95AB	547-95AB	H	Quarter Brick Vertical Fin Orientation	1.45 (36.82)x2.28 (57.91)x.95 (24.13)	9.95	7.96	7.16
567-517-95AB	517-95AB	I	Half Brick Horizontal Fin Orientation	2.28 (57.91)x2.4 (60.96)x.95 (24.13)	4.62	3.70	3.14
567-518-95AB	518-95AB	I	Half Brick Vertical Fin Orientation	2.28 (57.91)x2.4 (60.96)x.95 (24.13)	4.95	3.96	3.37
567-518-95AB-MS4	518-95AB-MS4	I	Half Brick Vertical Fin Orientation w/HDRW and Deltalink IV Thermal Pad	2.28 (57.91)x2.4 (60.96)x.95 (24.13)	7.53	6.92	5.88
567-527-45AB	527-45AB	I	Half Brick Horizontal Fin Orientation	2.28 (57.91)x2.4 (60.96)x.45 (11.43)	3.93	3.14	2.67
567-527-24AB	527-24AB	I	Half Brick Horizontal Fin Orientation	2.28 (57.91)x2.4 (60.96)x.24 (6.1)	3.25	2.60	2.21
567-528-24AB	528-24AB	I	Half Brick Vertical Fin Orientation	2.28 (57.91)x2.4 (60.96)x.24 (6.1)	3.60	2.88	2.45
567-528-45AB	528-45AB	I	Half Brick Vertical Fin Orientation	2.28 (57.91)x2.4 (60.96)x.45 (11.43)	4.28	3.42	2.91
567-557-140AB	557-140AB	J	Full Brick Horizontal Fin Orientation	2.4 (60.96)x4.6 (116.84)x1.4 (35.56)	13.50	12.82	12.18
567-558-75AB	558-75AB	J	Full Brick Vertical Fin Orientation	2.4 (60.96)x4.6 (116.84)x.75 (19.05)	10.95	10.40	9.88

THERMAL PADS

For quantities greater than listed, call for quote.

MOUSER STOCK NO.	Wakefield Part No.	Fig.	Description	Dimensions: in. (mm) LxWxH	Price Each		
					1	10	100
567-173-7-220P	173-7-220P	K	TO-220 DeltaPads™ .007" (.18mm) Insulator	.71 (18.03)x.50 (12.7) .141 dia. (3.6 dia.)	.51	.424	.346
567-173-9-240P	173-9-240P	K	TO-220 DeltaPads™ .009" (.23mm) Insulator	.75 (19.05)x.50 (12.7) .147 dia. (3.7 dia.)	.63	.58	.54
567-175-6-220P	175-6-220P	K	TO-220 Kapton® .006" (.15mm) Reinforced Insulator	.71 (18.03)x.50 (12.7) .141 dia. (3.6 dia.)	.57	.522	.486
567-175-6-230P	175-6-230P	K	TO-220 Kapton® .006" (.15mm) Reinforced Insulator	.71 (18.03)x.50 (12.7) .125 dia. (3.2 dia.)	.56	.515	.471
567-175-6-240P	175-6-240P	K	TO-220 Kapton® .006" (.15mm) Reinforced Insulator	.75 (19.05)x.50 (12.7) .147 dia. (3.7 dia.)	.56	.48	.42
567-175-6-280P	175-6-280P	K	TO-220 Kapton® .006" (.15mm) Reinforced Insulator	.86 (21.8)x.74 (18.8) .16 dia. (4.1 dia.)	.56	.52	.48
567-175-6-310P	175-6-310P	L	TO-3 Kapton® .006" (.15mm) Reinforced Insulator	1.59 (40.5)x1.14 (29.0) .062 dia. (1.6 dia.)	.78	.62	.55

THERMAL JOINT COMPOUND

• Shelf Life: 5 years

For quantities greater than listed, call for quote.

MOUSER STOCK NO.	Wakefield Part No.	Description	Price Each		
			1	10	100
567-120-SA	120-SA	Silicon Thermal Grease, 4g plastic pack	4.40	3.52	2.99
567-120-2	120-2	Silicon Thermal Grease, 2oz. jar	8.52	7.67	7.24
567-120-5	120-5	Silicon Thermal Grease, 5oz. tube	23.98	19.18	16.30
567-120-8	120-8	Silicon Thermal Grease, 8oz. jar	28.96	24.90	23.16
567-120-80	120-80	Silicon Thermal Grease, 5lbs. can	153.77	130.64	118.88
567-126-2	126-2	Synthetic Non-Silicon Thermal Grease, 2oz. tube	13.74	12.70	10.99
567-126-4	126-4	Synthetic Non-Silicon Thermal Grease, 4oz. tube	21.75	19.58	18.49