

# EBM-PAPST Tubeaxial DC Fans

ebmpapst



This product is RoHS compliant.

## 4300 SERIES

### Features:

- Clockwise rotation looking at rotor
- Mounting holes: 4.3mm

### Recommended Manufacturer's Accessories:

- Metal Finger Guard: LZ30
- Plug and Cord Set: LZ120 or LZ126
- Temperature Sensor: LZ370
- Spacer: LZ220

For quantities greater than listed, call for quote.

MOUSER STOCK NO.		Fig.	Dimensions (mm) L x W	Volt. (DC)	Airflow (CFM)	Power (W)	Speed (RPM)	Noise dB(A)	Max. Temp. (°C)	Bearing Type	Price Each			
Mfr.	Mfr. Part No.										1	10	25	50
5912	4312L	A	119 x 32	12	56.0	1.2	1550	30	75	Ball	30.65	29.72	28.23	26.36
5912	4312	A	119 x 32	12	100.0	5.0	2800	45	75	Ball	29.62	28.72	27.28	25.48
5912	4314L	A	119 x 32	24	55.9	1.2	1550	30	75	Ball	29.69	28.07	26.31	24.55
5912	4314M	A	119 x 32	24	82.0	2.6	2300	39	75	Ball	30.77	29.84	28.34	26.47
5912	4314	A	119 x 32	24	100.0	5.0	2800	45	75	Ball	30.67	28.08	26.64	23.76

## 4100N SERIES - S FORCE FANS

### Features:

- Metal housing and plastic impeller
- Termination: 0.011" terminals
- Air exhaust over struts
- Clockwise rotation looking at rotor
- Mounting holes: 4.3mm

### Recommended Manufacturer's Accessories:

- Plastic Finger Guard: LZ30-5, LZ30P
- Metal Finger Guard: LZ30
- Screen/Bracket: LZ40N and LZ40-1
- Metal Mesh Filter: LZ60
- Mounting Screw Clip: LZ210
- Plug and Cord Set: LZ120 or LZ126

For quantities greater than listed, call for quote.

MOUSER STOCK NO.		Fig.	Dimensions (mm) L x W	Volt. (DC)	Airflow (CFM)	Power (W)	Speed (RPM)	Noise dB(A)	Max. Temp. (°C)	Bearing Type	Price Each			
Mfr.	Mfr. Part No.										1	10	25	50
5912	4184NX	A	119 x 38	24	106.0	4.5	3200	49	75	Ball	49.52	44.49	42.18	39.58
5912	4184NGX	A	119 x 38	24	94.2	3.5	3400	44	75	Sintec	45.25	43.95	41.70	37.19
5912	4184NXH	A	119 x 38	24	139.0	11.0	4400	59	55	Ball	52.05	50.48	47.95	44.80
<b>High Performance Models</b>														
5912	4112NH4	A	119 x 38	12	208.9	32.0	6800	67	65	Ball	75.62	69.31	63.01	56.70
5912	4114NHH	A	119 x 38	24	152.9	15.5	5000	60	65	Ball	69.93	68.65	62.40	56.16
5912	4114NH3	A	119 x 38	24	182.4	19.5	6000	65	65	Ball	69.62	68.35	62.13	55.91
5912	4114NH5	A	119 x 38	24	229.5	45.0	7500	70	65	Ball	78.68	72.12	65.57	59.01
5912	4114NH6	A	119 x 38	24	259.0	60.0	8400	73	65	Ball	78.41	71.44	65.97	61.84
5912	4118NH3	A	119 x 38	48	182.4	19.5	6000	65	65	Ball	75.95	74.56	67.77	60.99

## 5200 SERIES

### Features:

- Plastic housing and impeller
- Termination: 12.2" leads
- Counterclockwise rotation looking at rotor
- Air exhaust over struts
- Mounting holes: 4.3mm

For quantities greater than listed, call for quote.

MOUSER STOCK NO.		Fig.	Dimensions (mm) L x W	Volt. (DC)	Airflow (CFM)	Power (W)	Speed (RPM)	Noise dB(A)	Max. Temp. (°C)	Bearing Type	Price Each			
Mfr.	Mfr. Part No.										1	10	25	50
5912	5214NM	A	127 x 38	24	110.0	4.6	2750	43	75	Ball	45.21	43.84	41.64	36.99

## 5100N SERIES

### Features:

- Electronically commutated external rotor motor
- Fully integrated commutation electronics
- Electronic protection against reverse polarity and blocking
- Counterclockwise rotation looking at rotor
- Metal fan housing and impeller
- Mounting holes: 4.3mm
- Air exhaust over struts

### Recommended Manufacturer's Accessories:

- Metal Finger Guard: LZ25
- Mounting Screw Clip: LZ210
- Plug and Cord Set: LZ120 or LZ126

For quantities greater than listed, call for quote.

MOUSER STOCK NO.		Fig.	Dimensions (mm) L x W	Volt. (DC)	Airflow (CFM)	Power (W)	Speed (RPM)	Noise dB(A)	Max. Temp. (°C)	Bearing Type	Price Each			
Mfr.	Mfr. Part No.										1	10	25	50
5912	5114N	B	135 x 38	24	147.1	9.5	2900	48	72	Ball	80.48	77.64	72.54	68.95

## 7100N SERIES

### Features:

- Electronically commutated external rotor motor
- Fully integrated commutation electronics
- Electronic protection against reverse polarity and blocking
- Counterclockwise rotation looking at rotor
- Metal fan housing and impeller
- Mounting holes: 4.3mm
- Air exhaust over struts

### Recommended Manufacturer's Accessories:

- Metal Finger Guard: LZ24
- Mounting Screw Clip: LZ210

For quantities greater than listed, call for quote.

MOUSER STOCK NO.		Fig.	Dimensions (mm) L x W	Volt. (DC)	Airflow (CFM)	Power (W)	Speed (RPM)	Noise dB(A)	Max. Temp. (°C)	Bearing Type	Price Each			
Mfr.	Mfr. Part No.										1	10	25	50
5912	7112N	C	ø150 x 38	12	211.9	12.0	2850	55	72	Ball	116.10	110.56	105.03	98.12
5912	7114N	C	ø150 x 38	24	211.9	12.0	2850	55	72	Ball	95.12	86.61	78.97	71.33

## 6200N SERIES

### Features:

- Metal housing and plastic impeller
- Termination: 0.118" terminals
- Counterclockwise rotation looking at rotor
- Air exhaust over struts
- Mounting holes: 4.3mm

### Recommended Manufacturer's Accessories:

- Plug and Cord Set: LZ120 or LZ126

For quantities greater than listed, call for quote.

MOUSER STOCK NO.		Fig.	Dimensions (mm) L x W	Volt. (DC)	Airflow (CFM)	Power (W)	Speed (RPM)	Noise dB(A)	Max. Temp. (°C)	Bearing Type	Price Each			
Mfr.	Mfr. Part No.										1	10	25	50
5912	6224N	D	ø172 x 51	24	241.0	18.0	3400	55	72	Ball	81.80	79.34	75.36	70.40
5912	6224NM	D	ø172 x 51	24	206.0	18.0	2850	50	72	Ball	95.29	87.58	79.10	76.28
5912	6224NU	D	ø172 x 51	24	241.3	18.0	3400	55	72	Ball	111.96	102.62	93.29	83.96
5912	6248N	D	ø172 x 51	48	241.3	11.5	3400	55	72	Ball	83.61	79.60	75.61	70.63

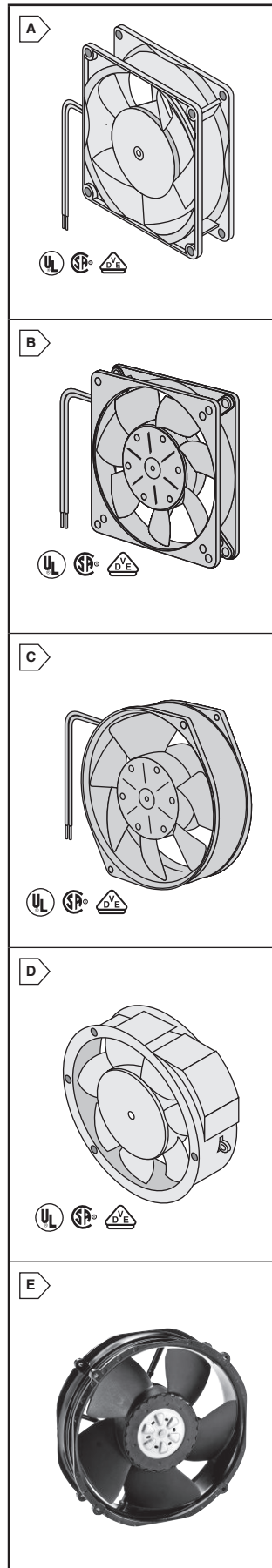
## 2200 FTD SERIES - S FORCE FANS

### Features:

- Aluminum housing, fiberglass reinforced PA impeller; housing with grounding lug for screw M4 x 8
- Air exhaust over struts; rotational direction CW looking at rotor
- With electronic protection against reverse polarity
- Electrical connection via single leads AWG 20, stripped and tinned ends
- Standard with speed signal and PWM (P) or 0-10VDC/PWM (O) speed control

For quantities greater than listed, call for quote.

MOUSER STOCK NO.		Fig.	Dimensions (mm) L x W	Volt. (DC)	Airflow (CFM)	Power (W)	Speed (RPM)	Noise dB(A)	Max. Temp. (°C)	Bearing Type	Price Each			
Mfr.	Mfr. Part No.										1	10	25	50
5912	2214F/2TDHO	E	200 x 51	24	464.7	41.0	4250	62	75	Ball	158.15	131.36	118.65	114.41
5912	2214F/2TDH0	E	200 x 51	24	552.9	54.0	5000	66	70	Ball	206.30	171.28	154.70	149.18
5912	2218F/2TDH0	E	200 x 51	48	552.9	54.0	5000	66	70	Ball	206.30	171.28	154.70	149.18
5912	2218F/2TDH4P	E	200 x 51	48	717.6	103.0	6500	72	65	Ball	245.30	203.75	184.03	177.46



ebm-papst

Fans