

# EBM-PAPST Tubeaxial AC and DC Fans

## TUBEAXIAL AC FANS

### i-maxx ACi4400 Series

**Features:**

- Fiberglass reinforced plastic; impeller PA, housing PBT
- Electronic locked rotor protection
- Mounting holes: 3.7mm

**Advantages vs. Equivalent AC Fan:**

- 75% less power consumption
- 3dB or more noise reduction
- Much longer service life



RoHS Compliant

For quantities greater than listed, call for quote.

MOUSER STOCK NO.		Fig.	Dimensions (mm) L x W	Voltage (VAC)	Airflow (CFM)	Power (W)	Speed (RPM)	Noise dB(A)	Max Temp. (°C)	Bearing Type	Price Each			
Mfr.	Mfr. Part No.										1	5	10	25
5912	—ACi4410HH	A	119 x 38	115	105.9	4.4	3350	42	75	Ball	52.87	48.59	43.89	42.32
5912	—ACi4420H	A	119 x 38	230	94.1	3.3	3000	39	75	Ball	52.87	48.59	43.89	42.32
5912	—ACi4420HH	A	119 x 38	230	105.9	4.4	3350	42	75	Ball	52.87	48.59	43.89	42.32

### W2S130 Series

**Features:**

- Metal housing and impeller
- Termination: 13.3" leads
- Counterclockwise rotation looking at rotor
- 4.3mm mounting holes

For quantities greater than listed, call for quote.

MOUSER STOCK NO.		Fig.	Dimensions (mm) L x W	Voltage (VAC)	Airflow (CFM)	Power (W)	Speed (RPM)	Noise dB(A)	Max Temp. (°C)	Bearing Type	Price Each			
Mfr.	Mfr. Part No.										1	5	10	25
5912	—W2S130-AA25-01	B	ø150 x 55	115	223.6	38.0	3250	52	80	Ball	76.94	73.94	71.71	69.41
5912	—W2S130-AA03-01	B	ø150 x 55	230	223.6	39.0	3250	53	70	Ball	79.71	75.20	71.44	66.74
5912	—W2S130-AA03-49	B	ø150 x 55	115/230	223.6	38.0	3250	52	70	Ball	86.83	84.21	79.99	74.72
5912	—W2S130-BM15-01	B	ø150 x 55	115	250.1	46.0	3050	60	70	Ball	80.20	77.13	74.79	65.95
5912	—W2S130-BM03-01	B	ø150 x 55	230	250.1	46.0	3050	60	70	Ball	107.17	103.07	99.93	88.13

### W2E142 Series

**Features:**

- Metal housing and impeller
- Termination: 0.110" terminals
- Air exhaust over struts
- 4.3mm mounting holes



RoHS Compliant

For quantities greater than listed, call for quote.

MOUSER STOCK NO.		Fig.	Dimensions (mm) L x W	Voltage (VAC)	Airflow (CFM)	Power (W)	Speed (RPM)	Noise dB(A)	Max Temp. (°C)	Bearing Type	Price Each			
Mfr.	Mfr. Part No.										1	5	10	25
5912	—W2E142-BB05-01	C	150 x 172 x 38	115	230	24.0	3300	57	80	Ball	82.42	75.46	71.58	63.84
5912	—W2E142-BB01-01	C	150 x 172 x 38	230	230	28.0	3300	57	80	Ball	96.99	88.61	80.12	74.39

### W2E143 Series

**Features:**

- Metal housing and impeller
- Air exhaust over struts
- Permanent split capacitor motor & terminals
- Termination: 0.110" terminals
- 4.6mm mounting holes



RoHS Compliant

For quantities greater than listed, call for quote.

MOUSER STOCK NO.		Fig.	Dimensions (mm) L x W	Voltage (VAC)	Airflow (CFM)	Power (W)	Speed (RPM)	Noise dB(A)	Max Temp. (°C)	Bearing Type	Price Each			
Mfr.	Mfr. Part No.										1	5	10	25
5912	—W2E143-AA15-01	D	172 x 51	115	260	26.0	3300	58	70	Ball	90.76	88.01	83.61	78.11
5912	—W2E143-AB15-01	D	172 x 51	115	295	29.0	3300	58	75	Ball	133.20	125.47	118.62	104.27

### W2E200H Series

**Features:**

- Metal housing, impeller, and terminal block
- Termination: terminal strip
- Electrical connection w/LZ120 plug & cord set or soldered
- 4.5mm mounting holes



RoHS Compliant

For quantities greater than listed, call for quote.

MOUSER STOCK NO.		Fig.	Dimensions (mm) L x W	Voltage (VAC)	Airflow (CFM)	Power (W)	Speed (RPM)	Noise dB(A)	Max Temp. (°C)	Bearing Type	Price Each			
Mfr.	Mfr. Part No.										1	5	10	25
5912	—W2E200-HK86-01	E	225 x 80	115	606	80.0	2800	61	65	Ball	178.59	168.48	160.04	142.16
5912	—W2E200-HK38-01	E	225 x 80	230	606	80.0	2550	61	65	Ball	178.59	164.26	155.83	138.98

### ACMAXX Series

The Acmxx, the new generation of AC fans, offers a wide input voltage, high efficiency and reliability. The Acmxx fans have higher volume flow, optional variable speed control, failure detection, speed and function monitoring.

**Features:**

- Plastic housing and impeller
- Features leads
- Nominal VAC - 115/230
- External rotor motor
- 75% lower power consumption



RoHS Compliant

For quantities greater than listed, call for quote.

MOUSER STOCK NO.		Fig.	Dimensions (mm) L x H	Voltage (AC Range)	Airflow (CFM)	Power (W)	Speed (RPM)	Noise dB(A)	Max Temp. (°C)	Bearing Type	Price Each			
Mfr.	Mfr. Part No.										1	5	10	25
5912	—AC4300H	F	119 x 32	85-265	120	11.0	3400	51	70	Ball	52.24	49.51	46.32	44.59
5912	—AC3200JH	G	ø92 x 38	85-265	86	11.0	6800	55	70	Ball	66.92	60.10	56.15	53.39

## TUBEAXIAL DC FANS

### 4400F Series

**Features:**

- Counterclockwise rotation looking at rotor
- Mounting holes: 4.3mm

**Recommended Manufacturer's Accessories:**

- Plastic Finger Guard: LZ30-5, LZ30P
- Screen/Bracket: LZ40N and LZ404
- Mounting Screw Clip: LZ210
- Plug and Cord Set: LZ120 or LZ126



RoHS Compliant

For quantities greater than listed, call for quote.

MOUSER STOCK NO.		Fig.	Dimensions (mm) L x W	Voltage (VDC)	Airflow (CFM)	Power (W)	Speed (RPM)	Noise dB(A)	Max Temp. (°C)	Bearing Type	Price Each			
Mfr.	Mfr. Part No.										1	5	10	25
5912	—4412FM	H	119 x 25	12	82.0	3.2	2400	38	75	Ball	30.79	27.46	26.64	25.30
5912	—4412F	H	119 x 25	12	100.0	5.0	2900	43	75	Ball	31.88	30.92	29.36	27.43
5912	—4414FM	H	119 x 25	24	82.0	3.2	2400	38	75	Ball	33.76	29.95	26.00	23.80
5912	—4414F	H	119 x 25	24	100.0	5.0	2900	43	75	Ball	35.39	33.36	32.35	31.28

### 4400 Series

**Specifications:**

- Plastic housing and impeller
- Air exhausts over struts
- Clockwise rotation looking at rotor
- Termination: 12.2" Leads
- Dimensions: 119mm x 38mm (Length x Width)
- Max. Temp: 70°C
- Mounting Holes: 4.3mm

**Accessories:**

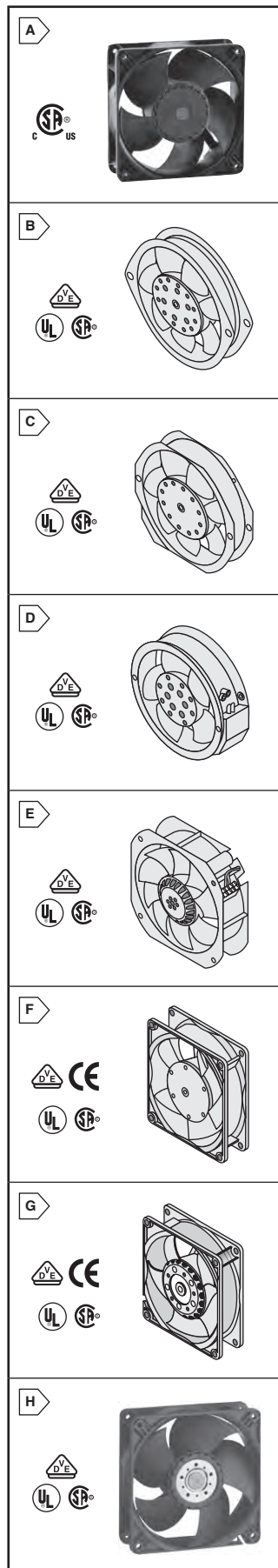
- Fan Filter: Use LZ30P or LZ30
- Plug and Cord Set: LZ120 or LZ126



RoHS Compliant

For quantities greater than listed, call for quote.

5912	—4412L	H	119 x 38	12	88.3	2.5	2700	37	70	Ball	32.67	31.12	29.56	27.61
5912	—4412M	H	119 x 38	12	108.3	4.2	3300	42	70	Ball	33.80	32.20	30.58	28.56
5912	—4412H	H	119 x 38	12	141.3	8.9	4300	49	70	Ball	35.39	34.72	31.56	28.40
5912	—4414L	H	119 x 38	24	88.3	2.5	2700	37	70	Ball	32.67	31.12	29.56	27.61
5912	—4414M	H	119 x 38	24	108.3	4.0	3300	42	70	Ball	35.09	33.44	31.75	29.66
5912	—4414N	H	119 x 38	24	120.7	5.2	3650	46	70	Ball	32.67	31.12	29.56	27.61
5912	—4414H	H	119 x 38	24	141.3	8.6	4300	49	70	Ball	35.39	34.72	31.56	28.40
5912	—4418M	H	119 x 38	48	108.3	4.2	3300	42	70	Ball	37.99	37.27	33.87	30.48
5912	—4418N	H	119 x 38	48	120.7	5.2	3650	46	70	Ball	37.99	37.27	33.87	30.48
5912	—4418H	H	119 x 38	48	141.3	8.6	4300	49	70	Ball	36.60	35.91	32.64	29.37



ebm-papst Fans