

SERPAC Enclosures

SERPAC S - SERIES

Features:

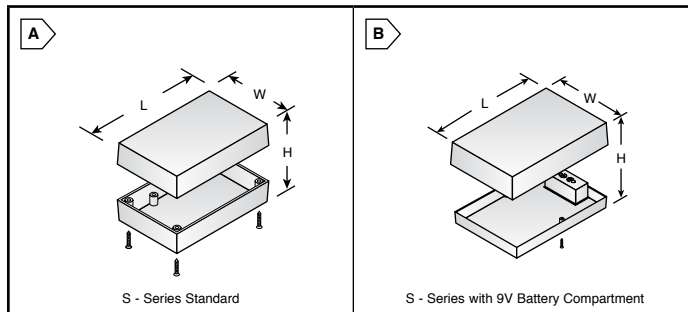
- Hi-Impact ABS plastic
- Custom colors, machining, molding, and pad printing available
- "I" version has a .015" smooth depression on top for printing or flush membrane/ label surface
- Wall mount options available on select models. Contact a Mouser Service Representative
- UL 94 HB flammability rating
- Two-piece standard design
- Circuit board mounting bosses

There are 3 colors available, replace the () in the part number with:

A for Almond or **B** for Black or **G** for Gray

For quantities greater than listed, call for quote.

MOUSER STOCK NO.	Serpac Part No.	MOUSER STOCK NO.	Serpac Part No.	Fig.	Dimensions: in.			Price Each		
					L	W	H	1	10	25
Standard		With Recessed Top								
635-021-	021-	635-021-I-	021-I-	A	4.10	2.60	.90	3.19	2.91	2.64
635-031-	031-	635-031-I-	031-I-	A	4.38	3.25	.91	3.73	2.93	2.66
635-032-	032-	-	-	A	4.38	3.25	1.41	5.44	4.95	4.50
635-033-	033-	635-033-I-	033-I-	A	4.38	3.25	1.91	6.23	5.66	5.13
635-051-	051-	635-051-I-	051-I-	A	5.63	3.25	.91	6.18	5.62	5.10
635-052-	052-	-	-	A	5.63	3.25	1.41	5.74	4.51	4.11
635-053-	053-	635-053-I-	053-I-	A	5.63	3.26	1.91	8.37	7.58	6.91
635-071-	071-	635-071-I-	071-I-	A	6.88	4.88	.91	11.34	9.15	7.79
635-072-	072-	635-072-I-	072-I-	A	6.88	4.88	1.41	16.83	15.33	13.91
635-073-	073-	635-073-I-	073-I-	A	6.88	4.88	1.91	17.59	16.05	14.56
635-091-	091-	635-091-I-	091-I-	A	9.50	6.34	.91	31.35	28.57	25.88
635-092-	092-	635-092-I-	092-I-	A	9.50	6.34	1.41	33.36	32.25	29.77
635-093-	093-	635-093-I-	093-I-	A	9.50	6.34	1.91	12.55	10.14	8.69
-	-	635-110-I-	110-I-	A	3.63	2.27	1.01	3.49	2.74	2.49
635-111-	111-	635-111-I-	111-I-	A	3.61	2.27	1.01	2.70	2.42	2.27
635-112-	112-	-	-	A	3.61	2.27	1.51	3.75	3.41	3.09
635-113-	113-	-	-	A	3.61	2.27	2.51	4.12	3.75	3.40
635-131-	131-	635-131-I-	131-I-	A	4.38	3.25	1.51	4.13	3.24	2.95
635-132-	132-	-	-	A	4.38	3.25	2.01	5.44	4.96	4.49
635-133-	133-	635-133-I-	133-I-	A	4.38	3.25	2.51	5.94	4.65	4.17
635-151-	151-	635-151-I-	151-I-	A	5.63	3.25	1.51	4.87	3.82	3.48
635-152-	152-	-	-	A	5.63	3.26	2.01	7.88	7.18	6.51
635-153-	153-	635-153-I-	153-I-	A	5.63	3.25	2.51	6.33	5.15	4.35
635-171-	171-	635-171-I-	171-I-	A	6.88	4.88	1.51	7.10	5.57	5.07
635-172-	172-	635-172-I-	172-I-	A	6.88	4.88	2.01	7.79	6.12	5.56
635-173-	173-	635-173-I-	173-I-	A	6.88	4.88	2.51	8.18	6.43	5.84
635-182-	182-	635-182-I-	182-I-	A	14.21	4.88	2.01	15.40	14.02	12.70
635-191-	191-	635-191-I-	191-I-	A	9.50	6.34	1.51	10.93	8.39	7.63
635-192-	192-	635-192-I-	192-I-	A	9.50	6.34	2.01	14.09	13.56	12.52
635-193-	193-	635-193-I-	193-I-	A	9.50	6.34	2.51	11.15	8.76	7.96



For quantities greater than listed, call for quote.

MOUSER STOCK NO.	Serpac Part No.	MOUSER STOCK NO.	Serpac Part No.	Fig.	Dimensions: in.			Price Each		
					L	W	H	1	10	25
W/ 9V Batt. Comp.		With Recessed Top								
635-231-	231-	635-231-I-	231-I-	B	4.38	3.25	1.51	4.87	3.83	3.48
635-232-	232-	-	-	B	4.38	3.25	2.01	5.14	4.04	3.68
635-233-	233-	635-233-I-	233-I-	B	4.38	3.25	2.51	6.70	6.11	5.55
635-251-	251-	635-251-I-	251-I-	B	5.63	3.25	1.51	7.47	6.79	6.18
635-252-	252-	-	-	B	5.63	3.25	2.01	6.35	4.99	4.54
635-253-	253-	635-253-I-	253-I-	B	5.63	3.25	2.51	8.39	7.64	6.94
635-271-	271-	635-271-I-	271-I-	B	6.88	4.88	1.51	10.09	9.18	8.36
635-272-	272-	635-272-I-	272-I-	B	6.88	4.88	2.01	8.50	6.68	6.07
635-273-	273-	635-273-I-	273-I-	B	6.88	4.88	2.51	11.05	10.01	9.11

SERPAC SL - SERIES

Features:

- Hi-Impact ABS plastic
- UL 94 HB flammability rating
- Custom colors, machining, molding, and pad printing available
- Two-piece design with slanted top
- Recessed top for label
- Circuit board mounting bosses
- Wall mount options available on select models; contact a Mouser Service Representative

There are 3 colors available, replace the () in the part number with:

A for Almond or **B** for Black or **G** for Gray

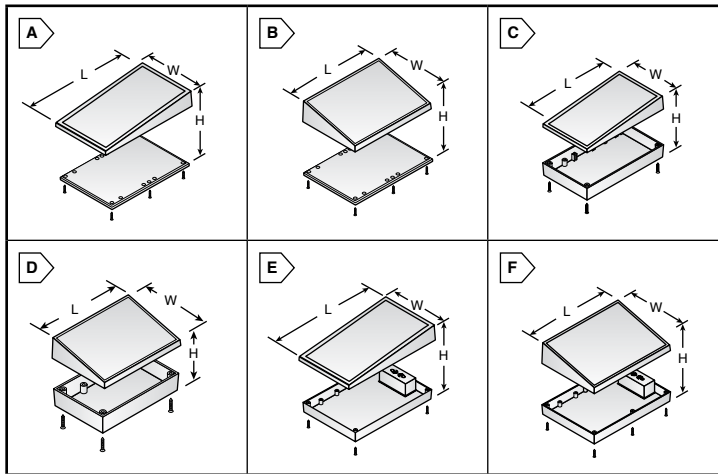
For quantities greater than listed, call for quote.

MOUSER STOCK NO.	Serpac Part No.	Fig.	Dimensions: in.			Price Each		
			L	W	H	1	10	25
635-05-S-	05-S-	A	5.63	3.25	0.91	6.33	5.77	5.23
635-07-S-	07-S-	B	6.88	4.88	1.88	10.88	8.55	7.78
635-15-S-	15-S-	C	5.63	3.25	1.51	4.87	3.82	3.48
635-17-S-	17-S-	D	6.88	4.88	2.49	7.10	5.57	5.07

With 9V Battery Compartment

For quantities greater than listed, call for quote.

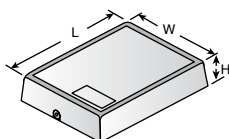
635-25-S-	25-S-	E	5.63	3.25	1.52	5.96	4.68	4.26
635-27-S-	27-S-	F	6.88	4.88	2.49	7.94	6.23	5.67



SERPAC G - SERIES WALL MOUNT APPLICATIONS

Features:

- Hi-Impact ABS plastic
- UL 94 HB flammability rating
- Custom colors, machining, molding, and pad printing available
- Two-piece design
- Fits standard gang boxes
- Circuit board mounting bosses
- Color: Almond



For quantities greater than listed, call for quote.

MOUSER STOCK NO.	Serpac Part No.	Dimensions: in.			Price Each		
		L	W	H	1	10	25
635-G-10-A	G-10-A	4.38	3.25	.89	3.94	3.58	3.24
With Drilled Hole for LED and Recessed Area for Label							
635-G-10A-A	G-10A-A	4.38	3.25	.89	3.94	3.58	3.24

SERPAC ENCLOSURE ACCESSORIES

For quantities greater than listed, call for quote.

MOUSER STOCK NO.	Serpac Part No.	Description	Price Each			
			1	10	25	50
635-50	50	Black press-in feet	.60	.31	.22	.19
635-51	51	Black stick-on feet	.38	.30	.28	.20
635-52	52	Clear stick-on feet	.38	.30	.28	.20
635-60	60	Standoff holes	.76	.38	.38	.35
635-61	61	Standoff posts	.52	.36	.266	.25

Waterproof Gaskets

For quantities greater than listed, call for quote.

MOUSER STOCK NO.	Serpac Part No.	For S- and SL- Series Enclosures	Price Each		
			1	10	50
635-PS-11	PS-11	111, 112, 113	3.93	1.95	1.69
635-PS-13	PS-13	131, 132, 133	3.82	2.87	2.47
635-PS-15	PS-15	151, 152, 153, 15-S	3.97	2.48	2.20
635-PS-17	PS-17	171, 172, 173, 17-S	5.36	2.89	2.44
635-PS-19	PS-19	191, 192, 193	3.82	3.63	3.25