

# HAMMOND Handheld Plastic Enclosures



## HAMMOND ABS PLASTIC HANDHELD INSTRUMENT BOXES

• Recessed top for membrane display or pad • Self tapping screws included  
 Replace the \_\_\_ with BK for Black or GY for Gray **For quantities greater than listed, call for quote.**

MOUSER STOCK NO.	Hammond Part No.	Flg.	Dimensions: in.			Price Each		
			L	W	H	1	25	50
546-1593K	1593K	A	2.60	2.60	1.10	2.88	2.63	2.42
546-1593D	1593D	A	4.50	1.40	1.00	4.41	3.68	3.39
546-1593X	1593X	A	5.50	2.60	1.10	5.36	4.37	4.02
546-1593J	1593J	B	2.60	2.60	1.10	2.98	2.78	2.54
546-1593S	1593S	C	3.60	2.60	0.83	3.84	3.18	2.96
546-1593P	1593P	C	3.60	2.60	1.10	4.13	3.69	3.44
546-1593T	1593T	C	4.40	2.60	0.83	4.36	3.65	3.36
546-1593Q	1593Q	C	4.40	2.60	1.10	4.64	4.14	3.87
546-1593Y	1593Y	C	5.50	2.60	1.10	5.36	4.47	4.12

## HAMMOND INFRARED PANELS

**For quantities greater than listed, call for quote.**

MOUSER STOCK NO.	Hammond Part No.	Description	Price Per Package			
			1	25	50	100
546-1593DIR10	1593DIR10	Fit 1593D - Pack of 10	5.34	4.46	4.11	3.82
546-1593PIR10	1593PIR10	Fits 1593 P, Q, Y, X, J & K - Pack of 10	5.25	4.94	4.63	4.32
546-1593SIR10	1593SIR10	Fits 1593 S & T - Pack of 10	3.72	3.07	2.83	2.65

## HAMMOND PLASTIC ELECTRONIC ENCLOSURES

• Matte textured black finish  
 Also available in blue, gray, and beige.  
 Contact a Mouser service representative for details. **For quantities greater than listed, call for quote.**

MOUSER STOCK NO.	Hammond Part No.	Flg.	Dimensions: in.			Price Each			
			L	W	H	1	5	10	25
546-1594A-BK	1594A-BK	D	2.17	2.17	1.10	8.22	7.36	6.85	
546-1594B-BK	1594B-BK	D	3.15	2.17	1.10	8.60	7.70	7.16	
546-1594C-BK	1594C-BK	D	4.13	2.56	1.30	10.17	9.47	8.73	
546-1594D-BK	1594D-BK	D	5.12	2.56	1.70	12.58	11.26	10.48	
546-1594E-BK	1594E-BK	D	6.50	4.13	2.09	15.50	13.88	12.91	

## HAMMOND PC CARD GUIDES

• Packed 25 sets per package, four guides to set **For quantities greater than listed, call for quote.**

MOUSER STOCK NO.	Hammond Part No.	Fits Cases	Price Per Package			
			1	5	10	25
546-1594AZ25	1594AZ25	1594A-BK	7.46	6.23	5.73	5.35
546-1594BZ25	1594BZ25	1594B-BK	7.46	6.23	5.73	5.35
546-1594CZ25	1594CZ25	1594C-BK	7.46	6.23	5.73	5.35
546-1594DZ25	1594DZ25	1594D-BK	7.46	6.23	5.73	5.35

## HAMMOND HAND HELD CASES

**High Impact Polystyrene Cases**  
 • Countersunk lid is secured with four self-tapping screws  
 • Color: Gray **For quantities greater than listed, call for quote.**

MOUSER STOCK NO.	Hammond Part No.	Flg.	Dimensions: in.			Price Each		
			L	W	H	1	5	10
546-1599BS-GY	1599BS-GY	E	5.12	2.56	0.98	6.12	5.37	5.10
546-1599ES-GY	1599ES-GY	E	6.70	3.35	1.38	6.88	6.15	5.73
546-1599HS-GY	1599HS-GY	E	8.66	4.33	1.77	7.90	7.06	6.58
546-1599KS-GY	1599KS-GY	E	5.50	8.66	1.60	10.74	9.59	8.95

## Medium Impact Flame Retardant ABS

• UL flammability rating of 94V-0 @ 1.47mm thickness and a continuous use temperature rating of 60°C  
 • Includes four machine screws and brass bushings  
 • Color: Black **For quantities greater than listed, call for quote.**

MOUSER STOCK NO.	Hammond Part No.	Flg.	Dimensions: in.			Price Each		
			L	W	H	1	5	10
546-1599B-BK	1599B-BK	E	5.12	2.56	0.98	8.04	7.05	6.70
546-1599E-BK	1599E-BK	E	6.70	3.35	1.38	9.78	8.74	8.15
546-1599H-BK	1599H-BK	E	8.66	4.33	1.77	11.98	10.73	9.95
546-1599K-BK	1599K-BK	E	5.50	8.66	1.60	12.84	11.47	10.69

## HAMMOND ENCLOSURES W/ BATTERY DOOR

**For quantities greater than listed, call for quote.**

MOUSER STOCK NO.	Hammond Part No.	Flg.	Dimensions: in.			Price Each		
			L	W	H	1	5	10
<b>Black ABS</b>								
546-1599BBKBAT	1599BBKBAT	F	5.12	2.56	0.97	10.08	9.08	8.45
546-1599BBKBATCP	1599BBKBATCP	G	5.12	2.56	0.97	12.12	11.07	10.50
546-1599EBKBAT	1599EBKBAT	F	6.69	3.34	1.33	12.06	10.80	10.01
546-1599HBKBAT	1599HBKBAT	F	4.33	8.66	1.73	16.32	14.58	13.60
546-1599KBKBAT	1599KBKBAT	F	5.50	8.66	1.60	17.72	15.83	14.76
<b>Gray ABS</b>								
546-1599BGYBAT	1599BGYBAT	F	5.12	2.56	0.97	9.76	9.06	8.13
546-1599BGYBATCP	1599BGYBATCP	G	5.12	2.56	0.97	12.60	10.09	9.45
546-1599EGYBAT	1599EGYBAT	F	6.69	3.34	1.33	12.06	10.80	10.04
546-1599HGYBAT	1599HGYBAT	F	4.33	8.66	1.73	16.31	14.58	13.61
<b>Gray Styrene</b>								
546-1599BSGYBAT	1599BSGYBAT	F	5.12	2.56	0.97	7.74	6.47	5.96
546-1599ESGYBAT	1599ESGYBAT	F	6.69	3.34	1.33	8.96	8.07	7.46
546-1599HSGYBAT	1599HSGYBAT	F	4.33	8.66	1.73	13.50	11.27	10.40
546-1599KSGYBAT	1599KSGYBAT	F	5.50	8.66	1.60	15.24	13.13	12.11

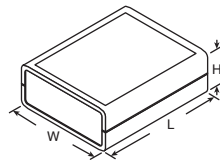
## BATTERY HOLDER KITS

• Designed for 1599B and 1599E Series battery door enclosures  
 • Includes all the parts required to install the battery or batteries  
 • Includes the battery holder, wires, and foam anti-rattle pad  
**For quantities greater than listed, call for quote.**

MOUSER STOCK NO.	Hammond Part No.	Batt. Holder Kit For:	Fits Battery Door Enclosure Size:	Price Each			
				1	25	50	100
546-BH1AAW	BH1AAW	1 AA Cell	1599B and 1599E Series	1.29	1.08	.96	.85
546-BH2AAW	BH2AAW	2 AA Cells	1599B and 1599E Series	1.32	1.09	.97	.88
546-BH1AAAW	BH1AAAW	1 AAA Cell	1599B and 1599E Series	1.19	.99	.889	.796
546-BH2AAAW	BH2AAAW	2 AAA Cells	1599B and 1599E Series	1.48	1.23	1.10	.988
546-BH3AAAW	BH3AAAW	3 AAA Cells	1599E size only	2.06	1.72	1.53	1.37
546-BH4AAAW	BH4AAAW	4 AAA Cells	1599E size only	2.45	2.04	1.83	1.63
546-BS61	BS61	1-9V Cell	1599B and 1599E Series	.66	.59	.55	.51

**A**

RoHS Compliant

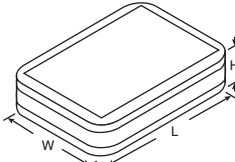


Version A

- Four P.C. card standoffs molded in bottom
- Removable front and rear panels for easy modification-sized to accept most popular connectors
- 2 piece lap joint construction

**B**

RoHS Compliant

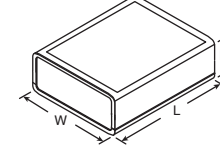


Version B

- Four PC card standoffs molded in both halves
- 2 piece lap joint construction

**C**

RoHS Compliant

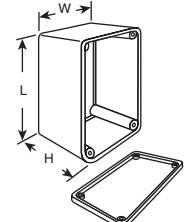


Version C

- 4 PC card standoffs molded in both halves
- 4 PC card guides molded in battery compartment
- Removable front and rear panels for easy modification-sized to accept most popular connectors
- 2 piece lap joint construction

**D**

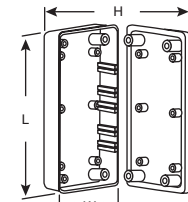
RoHS Compliant



- Heavy duty thermoplastic
- Comes with M3x.5x20mm countersunk
- Phillips machine screws which fasten into integral brass bushings
- Average wall thickness: .125"
- Lid adds .47" to total height
- Designed to meet IP54
- UL flammability rating of 94V-0

**E**

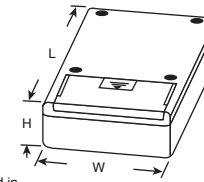
RoHS Compliant



- Two key hole knockouts are molded into the inside of the base to facilitate wall mounting installation
- Six PC card mounting bosses are molded into the top and base
- Designed to meet IP54

**F**

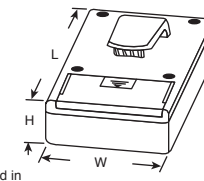
RoHS Compliant



- Recessed top panel for membrane display or pad
- PC card standoffs and vertical card guides are molded in
- Flame retardant ABS version includes four machine screws (styrene are self-tapping) and wear resistant brass bushing

**G**

RoHS Compliant



Includes belt clip

- Recessed top panel for membrane display or pad
- PC card standoffs and vertical card guides are molded in
- Flame retardant ABS version includes four machine screws (styrene are self-tapping) and wear resistant brass bushing

Hammond

Plastic Boxes