

HAMMOND Plastic Instrument Enclosures



POLYSTYRENE MULTIPURPOSE INSTRUMENT ENCLOSURES

- High impact polystyrene plastic
- Lid is secured with self-tapping #4x1/2" slotted screws

Without Flange

For quantities greater than listed, call for quote.

MOUSER STOCK NO.	Hammond Part No.	Fig.	Color	Dimensions: in.			Price Each			
				L	W	H	1	5	10	25
546-1591MSBK	1591MS-BK	A	Black	3.30	2.20	.80	3.40	3.06	2.83	2.62
546-1591LS-BK	1591LS-BK	A	Black	3.30	2.20	1.40	4.04	3.64	3.36	3.11
546-1591AS-BK	1591AS-BK	A	Black	3.90	2.00	.80	3.76	3.39	3.13	2.90
546-1591BS-BK	1591BS-BK	A	Black	4.40	2.40	1.10	4.08	3.68	3.40	3.13
546-1591CS-BK	1591CS-BK	A	Black	4.70	2.60	1.40	4.31	3.78	3.57	3.48
546-1591DS-BK	1591DS-BK	A	Black	5.90	3.20	1.80	6.42	5.78	5.35	4.95
546-1591ES-BK	1591ES-BK	A	Black	7.50	4.30	2.20	7.66	6.90	6.38	5.90
546-1591GS-BK	1591GS-BK	A	Black	4.80	3.70	1.20	5.11	4.55	4.26	3.95
546-1591HS-BK	1591HS-BK	A	Black	6.50	2.80	1.00	5.09	4.58	4.22	3.92
546-1591SS-BK	1591SS-BK	A	Black	4.30	3.20	1.60	5.49	4.98	4.56	4.23
546-1591TS-BK	1591TS-BK	A	Black	4.70	3.20	2.20	6.04	5.34	5.03	4.65
546-1591US-BK	1591US-BK	A	Black	4.70	4.70	2.20	6.48	5.74	5.40	4.99
546-1591VS-BK	1591VS-BK	A	Black	4.70	4.70	3.50	7.76	6.94	6.47	6.27

With Flanged Lid

For quantities greater than listed, call for quote.

MOUSER STOCK NO.	Hammond Part No.	Fig.	Color	Dimensions: in.			Price Each			
				L	W	H	1	5	10	25
546-1591MSFLBK	1591MSFL-BK	B	Black	3.3	2.2	0.8	3.39	3.22	3.05	2.89
546-1591LSFLBK	1591LSFL-BK	B	Black	3.3	2.2	1.4	4.24	4.05	3.83	3.62
546-1591ASFLBK	1591ASFL-BK	B	Black	3.9	2	0.8	3.95	3.76	3.56	3.36
546-1591SSFLBK	1591SSFL-BK	B	Black	4.3	3.2	1.6	5.68	5.40	5.11	4.83
546-1591BSFLBK	1591BSFL-BK	B	Black	4.4	2.4	1.1	4.26	4.07	3.86	3.64
546-1591CSFLBK	1591CSFL-BK	B	Black	4.7	2.6	1.4	4.52	4.29	4.07	3.84
546-1591TSFLBK	1591TSFL-BK	B	Black	4.7	3.2	2.2	6.25	5.93	5.61	5.30
546-1591USFLBK	1591USFL-BK	B	Black	4.7	4.7	2.2	6.81	6.47	6.13	5.78
546-1591VSFLBK	1591VSFL-BK	B	Black	4.7	4.7	3.5	8.14	7.74	7.33	6.92
546-1591GSFLBK	1591GSFL-BK	B	Black	4.8	3.7	1.2	5.36	5.09	4.83	4.56
546-1591DSFLBK	1591DSFL-BK	B	Black	5.9	3.2	1.8	6.72	6.39	6.05	5.71
546-1591HSFLBK	1591HSFL-BK	B	Black	6.5	2.8	1	5.35	5.08	4.81	4.55
546-1591ESFLBK	1591ESFL-BK	B	Black	7.5	4.3	2.2	8.07	7.20	6.70	6.21

With Bottom Flange

For quantities greater than listed, call for quote.

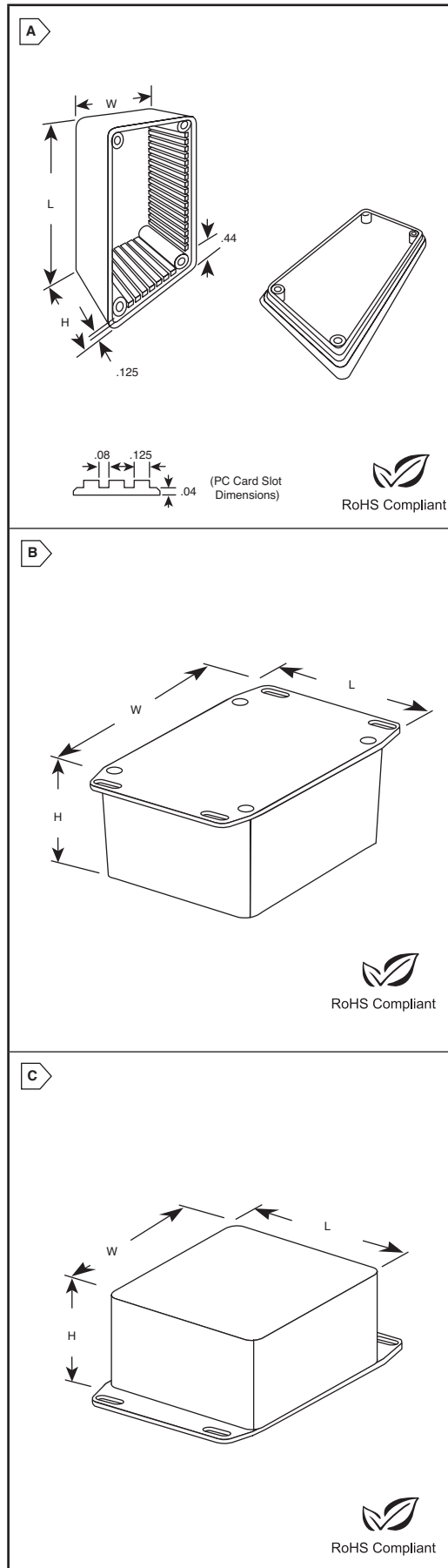
MOUSER STOCK NO.	Hammond Part No.	Fig.	Color	Dimensions: in.			Price Each			
				L	W	H	1	5	10	25
546-1591MF2SBK	1591MF2SBK	C	Black	3.3	2.2	0.8	3.93	3.26	3.03	2.81
546-1591MF2SGY	1591MF2SGY	C	Gray	3.3	2.2	0.8	3.92	3.50	3.22	3.01
546-1591LF2SBK	1591LF2SBK	C	Black	3.3	2.2	1.4	4.56	3.81	3.52	3.27
546-1591LF2SGY	1591LF2SGY	C	Gray	3.3	2.2	1.4	4.56	4.07	3.75	3.47
546-1591AF2SBK	1591AF2SBK	C	Black	3.9	2.0	0.8	4.26	3.56	3.26	3.05
546-1591AF2SGY	1591AF2SGY	C	Gray	3.9	2.0	0.8	4.26	3.79	3.49	3.24
546-1591SF2SGY	1591SF2SGY	C	Black	4.3	3.2	1.6	6.46	5.40	4.98	4.62
546-1591SF2SBK	1591SF2SBK	C	Gray	4.3	3.2	1.6	5.12	4.82	4.52	4.22
546-1591BF2SBK	1591BF2SBK	C	Black	4.4	2.4	1.1	4.59	3.83	3.54	3.28
546-1591CF2SBK	1591CF2SBK	C	Black	4.7	2.6	1.4	4.82	4.24	4.03	3.61
546-1591CF2SGY	1591CF2SGY	C	Gray	4.7	2.6	1.4	4.82	4.30	3.96	3.67
546-1591TF2SGY	1591TF2SGY	C	Black	4.7	3.2	2.2	7.03	5.84	5.42	5.05
546-1591TF2SBK	1591TF2SBK	C	Gray	4.7	3.2	2.2	6.60	5.51	5.09	4.72
546-1591UF2SBK	1591UF2SBK	C	Black	4.7	4.7	2.2	7.10	6.35	5.92	5.47
546-1591UF2SGY	1591UF2SGY	C	Gray	4.7	4.7	2.2	7.10	6.32	5.82	5.43
546-1591VF2SBK	1591VF2SBK	C	Black	4.7	4.7	3.5	7.10	6.68	6.27	5.85
546-1591VF2SGY	1591VF2SGY	C	Gray	4.7	4.7	3.5	8.36	7.43	6.84	6.34
546-1591GF2SBK	1591GF2SBK	C	Black	4.8	3.7	1.2	5.68	4.74	4.37	4.06
546-1591GF2SGY	1591GF2SGY	C	Gray	4.8	3.7	1.2	5.68	5.03	4.66	4.32
546-1591DF2S-BK	1591DF2SBK	C	Black	5.9	3.2	1.8	5.94	5.59	5.24	4.89
546-1591DF2SGY	1591DF2SGY	C	Gray	5.9	3.2	1.8	6.98	6.21	5.73	5.31
546-1591HF2SBK	1591HF2SBK	C	Black	6.5	2.8	1.0	5.61	4.68	4.32	4.01
546-1591HF2SGY	1591HF2SGY	C	Gray	6.5	2.8	1.0	5.62	4.98	4.59	4.25
546-1591EF2S-BK	1591EF2SBK	C	Black	7.5	4.3	2.2	8.12	7.39	6.90	6.38
546-1591EF2SGY	1591EF2SGY	C	Gray	7.5	4.3	2.2	8.28	7.37	6.79	6.30

MG Chemicals SUPER SHIELD CONDUCTIVE COATING

- Flammability rating: UL 94V-0

For quantities greater than listed, call for quote.

MOUSER STOCK NO.	MG Chemicals Part No.	Size	Price Each
590-841-340G	841-340G	Aerosol 340g (12oz.)	31.95



RoHS Compliant

RoHS Compliant

RoHS Compliant

Hammond

Plastic Boxes