

HAMMOND Metal Instrument Enclosures



ALUMINUM INSTRUMENT CASES

- Top and bottom made from 12 gauge aluminum finished in Contempra Gray.
- Top and bottom are attached to an internal aluminum extrusion which contains mounting slots for printed circuit boards or panels.
- Front and rear panels are natural aluminum (paper coated one side) which are attached with screws to the aluminum mounting extrusion.
- Panels can be easily removed for access to components.
- Tops and bottoms are available in solid or with vent slots.
- All hardware and self-adhesive rubber feet are included.

Solid Top and Base

For quantities greater than listed, call for quote.

MOUSER STOCK NO.	Hammond Part No.	Fig.	Dimensions: in.			Price Each			
			L	W	H	1	5	10	25
546-1402B	1402B	A	4.9	7.1	2.4	46.41	40.48	37.39	35.32
546-1402D	1402D	A	7.3	7.1	2.4	50.75	44.26	40.88	38.62
546-1402F	1402F	A	10.3	7.1	3.1	61.93	53.23	49.37	47.32
546-1402H	1402H	A	7.3	10.0	3.9	60.03	51.58	47.84	44.61
546-1402K	1402K	A	9.6	10.0	3.9	70.61	60.68	56.29	53.94

Vented Top and Base

For quantities greater than listed, call for quote.

MOUSER STOCK NO.	Hammond Part No.	Fig.	Dimensions: in.			P.C. Card Clearance	Fits Eurocard Sizes (mm)	Price Each			
			L	W	H			1	5	10	25
546-1402BV	1402BV	A	4.9	7.1	2.4	6.34	160 x 100	47.99	41.86	38.66	36.53
546-1402DV	1402DV	A	7.3	7.1	2.4	6.34	160 x 160	52.38	45.69	42.20	39.87
546-1402FV	1402FV	A	10.3	7.1	3.1	6.34	160 x 234	63.60	54.66	50.70	47.28
546-1402HV	1402HV	A	7.3	10.0	3.9	9.25	234 x 160	62.29	53.53	49.65	46.30
546-1402KV	1402KV	A	9.6	10.0	3.9	9.25	234 x 220	72.88	62.64	58.10	54.17

ALUMINUM SLOPED INSTRUMENT CONSOLES

- Textured baked enamel, ventilated bottom with wrap around sides.
- Supplied with hardware and rubber feet.
- Color: Top = Beige, Case = Blue

For quantities greater than listed, call for quote.

MOUSER STOCK NO.	Hammond Part No.	Fig.	Dimensions: in.				Slope	Price Each			
			L	W	H	A		1	5	10	25
546-1456PH3WHBU	1456PH3WHBU	B	8.3	14	3.14	1.3	15°	36.54	34.53	32.52	30.51
546-1456PL3WHBU	1456PL3WHBU	B	11.3	14	3.14	1.3	15°	33.88	32.51	32.05	30.51
546-1456FG4WHBU	1456FG4WHBU	B	7.2	6.5	4.21	1.1	30°	28.85	24.42	22.67	21.15
546-1456KK4WHBU	1456KK4WHBU	B	10.2	10	4.21	1.1	30°	30.77	29.53	28.03	27.01
546-1456PK4WHBU	1456PK4WHBU	B	10.2	14	4.21	1.1	30°	33.88	32.51	32.05	29.73

STEEL INSTRUMENT CASES (18 GAUGE)

- Heavy duty, 18 gauge steel top and bottom halves finished in Contempra Gray Powder Paint.
- Easy to machine .064" thick aluminum panels
- Front finished in Satin Black; Vented back finished in Contempra Gray.
- Rear panel is vented top and bottom.
- 6-32 Phillips nickel plated screws and self-adhesive rubber feet included.

For quantities greater than listed, call for quote.

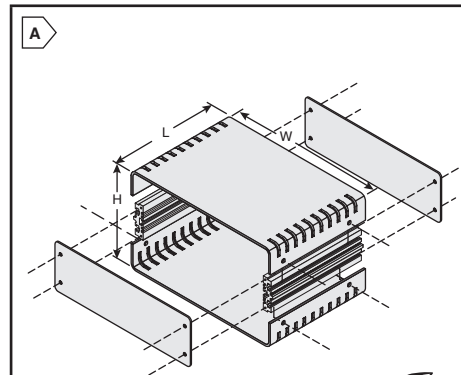
MOUSER STOCK NO.	Hammond Part No.	Fig.	Dimensions: in.			Price Each			
			L	W	H	1	5	10	25
546-1401A	1401A	C	10.0	6.0	5.0	57.98	53.40	49.29	48.54
546-1401AA	1401AA	C	6.0	6.0	5.0	54.38	49.04	45.75	42.76
546-1401C	1401C	C	10.0	8.0	9.0	67.95	62.29	57.50	53.39
546-1401E	1401E	C	8.0	8.0	8.0	64.06	57.78	53.91	50.38
546-1401G	1401G	C	12.0	10.0	9.0	85.42	78.30	72.27	67.12
546-1401K	1401K	C	14.0	10.0	6.5	87.43	80.08	73.90	68.64
546-1401M	1401M	C	8.0	12.0	9.0	91.22	82.30	77.18	71.76
546-1401N	1401N	C	8.0	14.0	9.0	83.77	78.85	73.92	68.99
546-1401P	1401P	C	10.0	14.0	5.0	86.77	75.30	70.25	65.66

STEEL INSTRUMENT CASES (20 GAUGE)

- Top and bottom made in 20 gauge steel (for strength) finished in Contempra Gray.
- Easy to machine 0.064" thick aluminum panels front and rear.
- Rear panel and bottom of enclosure is vented.
- Front panel is Satin Black, rear panel is Contempra Gray.
- 6-32 Phillips nickel plated screws and self-adhesive rubber feet included.
- Also available in Satin Blue. Contact a Mouser Service Representative.

For quantities greater than listed, call for quote.

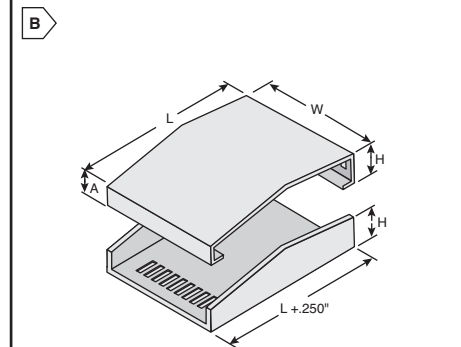
MOUSER STOCK NO.	Hammond Part No.	Fig.	Dimensions: in.			Price Each			
			L	W	H	1	5	10	25
546-1426K	1426K	D	6.0	5.0	4.0	51.05	43.16	40.06	37.52
546-1426M	1426M	D	8.0	6.0	4.0	53.42	48.19	44.96	42.02
546-1426O	1426O	D	10.0	7.0	4.0	59.82	54.85	50.61	47.01
546-1426Q	1426Q	D	11.0	11.7	5.5	59.91	54.92	50.68	47.07
546-1426S	1426S	D	12.0	6.0	4.0	63.82	53.94	50.07	46.90
546-1426V	1426V	D	12.0	8.0	4.0	64.09	57.83	53.95	50.43
546-1426W	1426W	D	12.0	10.0	4.0	68.38	61.68	57.55	53.79
546-1426Y	1426Y	D	12.0	6.0	5.5	64.09	58.78	54.24	50.36



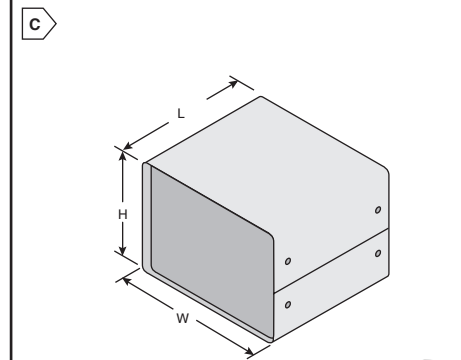
Vented Version shown. Also available with solid top and base.



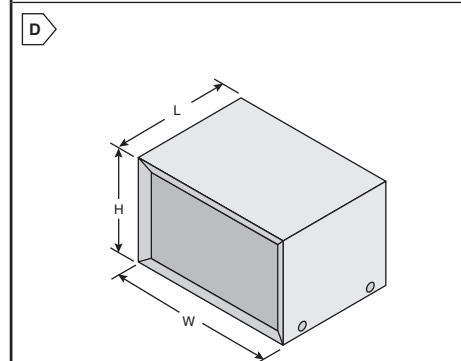
RoHS Compliant



RoHS Compliant



RoHS Compliant



RoHS Compliant

Hammond Metal Boxes