

HAMMOND Rack Mount Enclosures and Accessories



HAMMOND RACK MOUNTABLE/TABLE TOP INSTRUMENT HALF WIDTH ENCLOSURES

Features:

- Strong construction yet light weight using all aluminum components
- Suitable for desk top or half-width rack mountable applications (units are 8.3" wide).
- Easy assembly & disassembly
- Can be used with or without rack mounting brackets (optional)
- Enclosure is finished in rugged, textured, black powder paint.
- Includes top, bottom, sides, self adhesive rubber feet and all assembly hardware

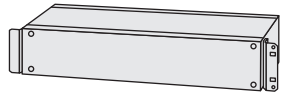


MOUSER STOCK NO.	Hammond Part No.	Dimensions: in.			Price Each	
		H	W	D	1	2
Solid Top and Bottom						
546-RM1U0804SBK	RM1U0804SBK	1.75	8.30	4.25	92.45	87.01
546-RM1U0808SBK	RM1U0808SBK	1.75	8.30	8.00	99.47	93.62
546-RM2U0804SBK	RM2U0804SBK	3.50	8.30	4.25	98.72	92.91
546-RM2U0808SBK	RM2U0808SBK	3.50	8.30	8.00	107.12	100.82
546-RM3U0804SBK	RM3U0804SBK	5.25	8.30	4.25	104.82	98.66
546-RM3U0808SBK	RM3U0808SBK	5.25	8.30	8.00	114.73	107.98
Ventilated Top and Bottom						
546-RM1U0804VBK	RM1U0804VBK	1.75	8.30	4.25	95.01	89.42
546-RM1U0808VBK	RM1U0808VBK	1.75	8.30	8.00	106.08	99.84
546-RM2U0804VBK	RM2U0804VBK	3.50	8.30	4.25	101.25	95.30
546-RM2U0808VBK	RM2U0808VBK	3.50	8.30	8.00	113.76	107.07
546-RM3U0804VBK	RM3U0804VBK	5.25	8.30	4.25	107.37	101.06
546-RM3U0808VBK	RM3U0808VBK	5.25	8.30	8.00	121.36	114.22

HAMMOND RACK MOUNT/DESK TOP ENCLOSURES

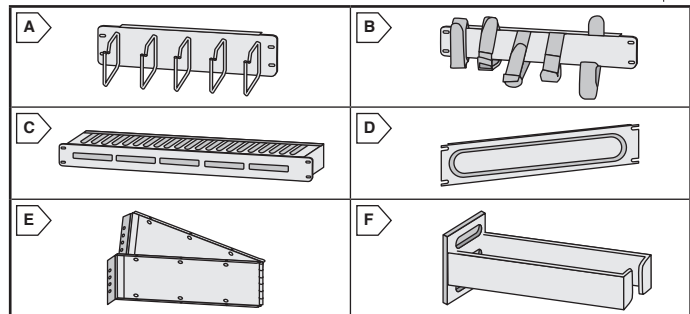
Features:

- Mounts on standard 19" rack space or can be used table top
- Aluminum panels can be removed from any of all 6 sides w/only 4 screws
- Shipped knocked down and includes all hardware, rack mount ears and rubber feet
- Front and rear panel are interchangeable and match cabinet body finish (satin texture, black powder paint)
- Finished in rugged satin texture, black powder paint



MOUSER STOCK NO.	Hammond Part No.	Dimensions: in.			Price Each	
		H	W	D	1	2
Solid						
546-RMCS19018BK1	RMCS19018BK1	1.75	17.00	8.00	74.20	68.49
546-RMCS19013BK1	RMCS19013BK1	1.75	17.00	13.00	87.29	84.48
546-RMCS19038BK1	RMCS19038BK1	3.50	17.00	8.00	82.91	76.54
546-RMCS19031BK1	RMCS19031BK1	3.50	17.00	13.00	104.75	96.69
546-RMCS19051BK1	RMCS19051BK1	5.25	17.00	13.00	115.94	110.78
546-RMCS19071BK1	RMCS19071BK1	7.00	17.00	13.00	137.48	126.90
546-RMCS19081BK1	RMCS19081BK1	8.75	17.00	13.00	160.22	154.24
Vented						
546-RMVC19018BK1	RMVC19018BK1	1.75	17.00	8.00	81.62	75.33
546-RMVC19013BK1	RMVC19013BK1	1.75	17.00	13.00	96.01	88.62
546-RMVC19038BK1	RMVC19038BK1	3.50	17.00	8.00	91.19	87.68
546-RMVC19031BK1	RMVC19031BK1	3.50	17.00	13.00	115.21	106.35
546-RMVC19051BK1	RMVC19051BK1	5.25	17.00	13.00	127.55	121.88
546-RMVC19071BK1	RMVC19071BK1	7.00	17.00	13.00	151.24	139.60
546-RMVC19081BK1	RMVC19081BK1	8.75	17.00	13.00	182.44	168.40
546-RMVC19101BK1	RMVC19101BK1	10.50	17.00	13.00	186.30	174.20
546-RMVC191015BK1	RMVC191015BK1	10.50	17.00	15.00	199.23	183.91
Half Width - Solid						
546-RMCS9018BK1	RMCS9018BK1	1.75	8.50	8.00	63.28	58.86
546-RMCS9038BK1	RMCS9038BK1	3.50	8.50	8.00	66.53	62.21
546-RMCS9058BK1	RMCS9058BK1	5.25	8.50	8.00	72.58	67.86
Half Width - Vented						
546-RMVC9018BK1	RMVC9018BK1	1.75	8.50	8.00	64.33	60.15
546-RMVC9038BK1	RMVC9038BK1	3.50	8.50	8.00	73.13	67.90
546-RMVC9058BK1	RMVC9058BK1	5.25	8.50	8.00	79.84	74.66

HAMMOND CABLE ORGANIZING



MOUSER STOCK NO.	Hammond Part No.	Fig.	Description	Price Each	
				1	2
546-PCMB519001BK1	PCMB519001BK1	A	Ring Panel, 1.75" H	36.36	34.83
546-PCMB519003BK1	PCMB519003BK1	A	Ring Panel, 3.5" H	42.13	41.40
546-PCMBV19001BK1	PCMBV19001BK1	B	Velcro Strap Panel	22.07	21.69
546-PCMB519003BK1	PCMB519003BK1	C	Metal Finger Panel, 3.5" H	80.87	77.48
546-CGUIDE	CGUIDE	D	Hinged Cable Guide	87.16	82.80
546-DNCE19BK1	DNCE19BK1	E	Cable Access Panel, Gray/Beige	38.14	36.67
546-CMRBK1	CMRBK1	F	Single Cable Ring	6.32	6.21

HAMMOND CHASSIS PANELS

RoHS Compliant

MOUSER STOCK NO.	Hammond Part No.	Use with Enclosure		Price Each	
		W: in.	D: in.	1	2
546-RMP908	RMP908	8.5	8	16.04	14.98
546-RMP1908	RMP1908	17	8	25.09	24.15
546-RMP1913	RMP1913	17	13	29.08	27.79
546-RMP1915	RMP1915	17	15	31.93	30.74

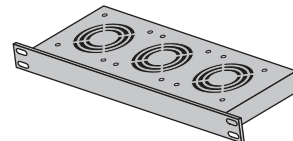
HAMMOND CASTERS

Mounting hardware included. RoHS Compliant

MOUSER STOCK NO.	Hammond Part No.	Type	Weight Cap (lbs.)	Price Each	
				1	2
546-1425B	1425B	Light Duty	360	54.17	51.02
546-1425BM	1425BM	Med. Duty	700	69.81	65.65
546-1425BH	1425BH	Heavy Duty	1050	127.61	122.59

HAMMOND FAN TRAY ASSEMBLIES

Fan trays can be positioned at the bottom of a rack to force air through the cabinet, at the top to exhaust air out or below specific pieces of equipment for spot cooling 115VAC 50/60Hz., thermally protected, ball bearing fans. Circuit breaker protected.



Tray Assemblies. RoHS Compliant

MOUSER STOCK NO.	Hammond Part No.	Number of Fans	CFM	Amps	Watts	Price Each	
						1	2
546-FT300TA1BK	FT300TA1BK	3	300	0.5	40	193.73	182.49
546-FT600TA1BK	FT600TA1BK	6	600	1	80	281.14	264.84

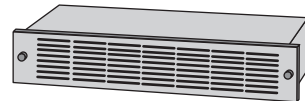
Tray Assemblies With Lighted On/Off Switch. RoHS Compliant

MOUSER STOCK NO.	Hammond Part No.	Number of Fans	CFM	Amps	Watts	Price Each	
						1	2
546-FT300HA1BK	FT300HA1BK	3	300	0.5	40	208.00	175.99
546-FT900HA1BK	FT900HA1BK	9	900	1.5	120	401.87	378.57

HAMMOND BLOWERS

Features:

- Each unit contains a quadruplex centrifugal blower, powered by a single precision ball-bearing motor.
- Heavy steel construction
- 115VAC, 50/60Hz. motor is UL listed
- CSA Certified, ball bearing type, cooled by incoming air



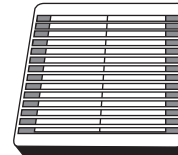
RoHS Compliant

MOUSER STOCK NO.	Hammond Part No.	CFM	RPM Nom.	Units	Price Each	
					1	2
546-HB3250A	HB3250A	250	3150	3	384.52	369.13
546-HB4500A	HB4500A	470	3250	4	488.80	426.40

HAMMOND FILTER FAN GRILLS

Features:

- Create your own filter fans or exhaust grills.
- Complete with flame retardant ABS plastic grill and flame retardant synthetic filter.
- Mounts easily with 4 screws using template and hardware provided.
- Integral gasket on reverse side of grill, seals against mounting surface.



RoHS Compliant

MOUSER STOCK NO.	Hammond Part No.	Color	Grill Size (in.)		Use with Square Fan Size (in.)	Price Each	
			H	W		1	10
546-XPFA80BK	XPFA80BK	Black	4.13	4.13	3.15	7.89	7.80
546-XPFA80CG	XPFA80CG	Gray/Beige	4.13	4.13	3.15	7.56	7.27
546-XPFA80GY	XPFA80GY	ASA 61 Gray	4.13	4.13	3.15	7.89	7.80
546-XPFA120BK	XPFA120BK	Black	5.91	5.91	4.70	12.01	11.87
546-XPFA120GY	XPFA120GY	ASA 61 Gray	5.91	5.91	4.70	12.01	11.87
Replacement Filters							
546-PFF2000	PFF2000	-	-	-	4.70	12.91	11.76

HAMMOND THERMOSTAT

Features:

- Normally open thermostat for control of blowers or fans
- Adjustable range: 30°F-140°F
- Switching difference (hysteresis): ±4°F
- Compact size: 2.4"H x 1.3"W x 1.4"D
- Easily installed by clip mounting to DIN rail (included)
- 2 pole terminal for AWG 14 wire
- Switching capacity of 15A (120VAC) or 10A (240VAC)
- Sensor is thermostatic bi-metal, housed in Gray Flame Retardant Plastic (UL94V0)
- UL Recognized, C UL Component Recognized, and CE



RoHS Compliant

MOUSER STOCK NO.	Hammond Part No.	Contact Type	Description	Price Each					
				H	W	D	1	2	
546-SKT011419NO	SKT011419NO	Normally Open		2.40	1.30	1.40	34.70	33.55	31.44