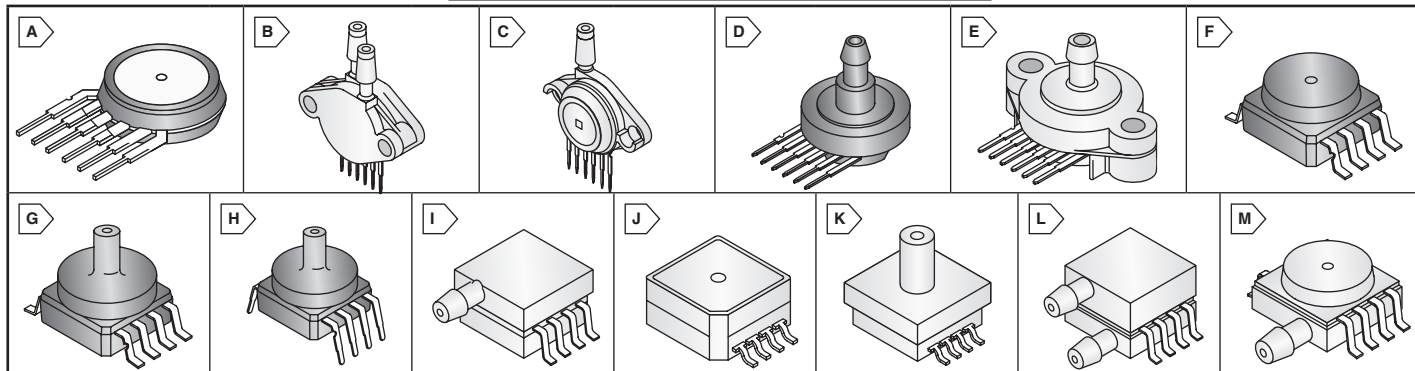


FREESCALE Pressure Sensors



Products may be RoHS compliant. Check mouser.com for RoHS status.



INTEGRATED PRESSURE SENSORS (CONT.)

To make the designer's job even easier, Freescale integrated devices carry sensor technology one step further. In addition to the on-chip temperature compensation and calibration offered currently on the 2000 series, amplifier signal conditioning has been integrated on-chip in the 4000, 5000 and 6000 series to allow interface directly to any microcomputer with an on-board A/D converter. The signal conditioning is accomplished by means of a four-stage amplification network, incorporating linear bipolar processing, thin film metallization techniques, and interactive laser trimming to provide the state-of-the-art in sensor technology.

Features:

- Broad portfolio of packaging and porting options for design flexibility
- Cost-effective
- Wide operating temperature range of -40°C to 125°C
- Fully signal conditioned, compensated and calibrated
- Interface seamlessly with Freescale processors
- Ratiometric to supply voltage

For quantities greater than listed, call for quote.

MOUSER STOCK NO.	Freescale Part No.	Fig.	Package	Pressure Rating Max (psi)	Pressure Rating H2O Max (in)	Pressure Measurement Type	Price Each		
							1	25	100
841-MPX5100D	MPX5100D	A	6 Pin Unibody	14.5	401	Differential	15.19	14.29	8.94
841-MPX5100DP	MPX5100DP	B	6 Pin Unibody Dual Port	14.5	401	Differential	13.48	12.35	11.29
841-MPX5100GP	MPX5100GP	C	6 Pin Unibody Gauge Port	14.5	401	Differential	15.19	14.29	8.94
841-MPX5500D	MPX5500D	A	6 Pin Unibody	72.5	2000	Differential	15.19	14.30	8.94
841-MPX5500DP	MPX5500DP	B	6 Pin Unibody Dual Port	72.5	2000	Differential	12.76	11.69	10.69
841-MPX5700A	MPX5700A	A	6 Pin Unibody	102	2810	Absolute	15.23	14.30	13.25
841-MPX5700AP	MPX5700AP	C	6 Pin Unibody Gauge Port	102	2810	Absolute	12.75	11.68	10.68
841-MPX5700AS	MPX5700AS	D	6 Pin Unibody Stoppipe Port	102	2810	Absolute	12.75	11.68	10.68
841-MPX5700ASX	MPX5700ASX	E	6 Pin Unibody Axial Port	102	2810	Absolute	12.75	11.68	10.68
841-MPX5700D	MPX5700D	A	6 Pin Unibody	102	2810	Differential	15.19	14.30	8.94
841-MPX5700DP	MPX5700DP	B	6 Pin Unibody Dual Port	102	2810	Differential	15.18	14.28	8.92
841-MPX5700GP	MPX5700GP	C	6 Pin Unibody Gauge Port	102	2810	Gauge	15.19	14.29	8.94
841-MPX5700GP1	MPX5700GP1	C	6 Pin Unibody Gauge Port	102	2810	Gauge	13.48	12.35	11.29
841-MPX5700GS	MPX5700GS	D	6 Pin Unibody Stoppipe Port	102	2810	Gauge	13.48	12.35	11.29
841-MPX5999D	MPX5999D	A	6 Pin Unibody	150	4150	Differential	15.17	14.27	8.92
841-MPX A6115A6U	MPXA6115A6U	F	Small Outline SMT	16.7	462	Absolute	11.47	10.79	8.33
841-MPX A6115AC6U	MPXA6115AC6U	G	Sm Outln w/Axial Port	16.7	462	Absolute	11.86	11.16	8.61
841-MPX A6115AC7U	MPXA6115AC7U	H	Sm Outln DIP w/Axial Port	16.7	462	Absolute	17.69	15.11	13.18
841-MPX A Z6115A6U	MPXAZ6115A6U	F	Small Outline SMT	16.7	462	Absolute	14.45	12.83	9.90
841-MPX A Z6115AC6U	MPXAZ6115AC6U	G	Sm Outln w/Axial Port	16.7	462	Absolute	14.09	13.22	10.21
841-MPX A Z6115AP	MPXAZ6115AP	F	Sensor 8 Pin GP	16.7	462	Absolute	13.64	12.83	8.04
841-MPX H6101A6U	MPXH6101A6U	J	Sensor SSOP 08 w/o Port	14.8	410	Absolute	9.12	8.58	6.62
841-MPX H6101AC6U	MPXH6101AC6U	K	Sensor SSOP 08 Ported	14.8	410	Absolute	11.49	10.21	7.87
841-MPX H6115A6U	MPXH6115A6U	J	Sensor SSOP 08 w/o Port	16.7	462	Absolute	9.12	8.58	5.37
841-MPX H6115AC6U	MPXH6115AC6U	K	Sensor SSOP 08 Ported	16.7	462	Absolute	9.67	9.10	7.02
841-MPX H6250A6U	MPXH6250A6U	J	Sensor SSOP 08 w/o Port	36	1000	Absolute	9.38	8.76	5.48
841-MPX H6250AC6U	MPXH6250AC6U	K	Sensor SSOP 08 Ported	36	1000	Absolute	9.43	8.88	6.85
841-MPX H6300A6U	MPXH6300A6U	J	Sensor SSOP 08 w/o Port	44	1200	Absolute	9.33	8.75	5.48
841-MPX H6300AC6U	MPXH6300AC6U	K	Sensor SSOP 08 Ported	44	1200	Absolute	9.43	8.88	6.85
841-MPX H6400AC6T1	MPXH6400AC6T1	K	Sensor SSOP 08 Ported	58	1605	Absolute	9.65	8.88	6.85
841-MPX H6400AC6U	MPXH6400AC6U	K	Sensor SSOP 08 Ported	58	1605	Absolute	9.43	8.88	7.20
841-MPX H Z6115A6U	MPXHZ6115A6U	J	Sensor SSOP 08 w/o Port	16.7	462	Absolute	9.47	8.91	5.57
841-MPX H Z6115AC6U	MPXHZ6115AC6U	K	Sensor SSOP 08 Ported	16.7	462	Absolute	9.85	9.27	7.16
841-MPX V4006DP	MPXV4006DP	L	Sensor 8 Pin Dual Port	0.87	24	Differential	13.23	12.43	10.45
841-MPX V4006GC6T1	MPXV4006GC6T1	G	Small Outline w/Axial Port	0.87	24	Gauge	14.15	12.58	7.87
841-MPX V4006GC7U	MPXV4006GC7U	H	Small Outline DIP w/Axial Port	0.87	24	Gauge	13.37	12.58	7.87
841-MPX V4006GP	MPXV4006GP	I	Sensor 8 Pin GP	0.87	24	Gauge	13.18	12.41	7.75
841-MPX3V5004GP	MPX3V5004GP	L	Sensor 8 Pin GP	0.57	-	Gauge	13.63	12.55	11.83
841-MPX V5004DP	MPXV5004DP	L	Sensor 8 Pin Dual Port	0.57	16	Differential	13.18	12.41	9.58
841-MPX V5004GC6T1	MPXV5004GC6T1	G	Small Outline SMT w/Axial Port	0.57	16	Gauge	13.67	12.58	7.87
841-MPX V5004GC6U	MPXV5004GC6U	G	Small Outline SMT w/Axial Port	0.57	16	Gauge	13.37	12.58	7.87
841-MPX V5004GC7U	MPXV5004GC7U	H	Small Outline DIP w/Axial Port	0.57	16	Gauge	13.37	12.58	7.87
841-MPX V5004GP	MPXV5004GP	I	Sensor 8 Pin GP	0.57	16	Gauge	13.18	12.41	7.75
841-MPX V5004GVP	MPXV5004GVP	M	Sensor 8 Pin GVP	0.57	16	Vacuum	13.18	12.41	7.75
841-MPX V5010DP	MPXV5010DP	L	Sensor 8 Pin Dual Port	1.45	40	Differential	13.18	12.41	7.76
841-MPX V5010G6U	MPXV5010G6U	F	Small Outline SMT	1.45	40	Gauge	14.00	12.55	11.48
841-MPX V5010GC6T1	MPXV5010GC6T1	G	Small Outline SMT w/Axial Port	1.45	40	Gauge	13.67	12.84	7.87
841-MPX V5010GC6U	MPXV5010GC6U	G	Small Outline SMT w/Axial Port	1.45	40	Gauge	13.41	12.60	7.87
841-MPX V5010GC7U	MPXV5010GC7U	H	Small Outline DIP w/Axial Port	1.45	40	Gauge	13.42	12.59	7.86
841-MPX V5010GP	MPXV5010GP	I	Sensor 8 Pin GP	1.45	40	Gauge	13.18	12.41	7.75
841-MPX V5050DP	MPXV5050DP	L	Sensor 8 Pin Dual Port	7.25	201	Differential	13.23	12.43	7.76
841-MPX V5050GC6U	MPXV5050GC6U	G	Small Outline SMT w/Axial Port	7.25	-	Gauge	9.04	8.32	7.85
841-MPX V5050GP	MPXV5050GP	L	Sensor 8 Pin GP	7.25	201	Gauge	13.18	12.41	7.75
841-MPX V5050VC6T1	MPXV5050VC6T1	G	Small Outline SMT w/Axial Port	7.25	201	Absolute	12.56	11.16	6.98
841-MPX V5100DP	MPXV5100DP	L	Sensor 8 Pin Dual Port	14.5	401	Absolute	13.18	12.41	7.75
841-MPX V5100GC6U	MPXV5100GC6U	H	Small Outline SMT w/Axial Port	14.5	401	Absolute	13.64	12.83	8.04
841-MPX V5100GC7U	MPXV5100GC7U	H	Small Outline DIP w/Axial Port	14.5	401	Absolute	13.64	12.83	8.04
841-MPX V6115VC6U	MPXV6115VC6U	G	Small Outline SMT w/Axial Port	16.7	462	Vacuum	13.64	12.83	8.04
841-MPX V7002DP	MPXV7002DP	L	Sensor 8 Pin Dual Port	0.3	8	Differential	13.18	12.41	7.75
841-MPX V7002DPT1	MPXV7002DPT1	L	Sensor 8 Pin Dual Port	0.3	8	Differential	12.57	10.37	7.75
841-MPX V7002GP	MPXV7002GP	L	Sensor 8 Pin GP	0.3	-	Differential	14.00	12.55	10.33
841-MPX V7007DP	MPXV7007DP	L	Sensor 8 Pin Dual Port	1	28	Differential	13.97	12.41	9.58
841-MPX V7007GC6U	MPXV7007GC6U	G	Small Outline SMT w/Axial Port	1	28	Gauge	14.15	12.58	7.87
841-MPX V7007GP	MPXV7007GP	L	Sensor 8 Pin GP	1	28	Gauge	16.76	13.83	13.27
841-MPX V7025DP	MPXV7025DP	L	Sensor 8 Pin Dual Port	3.6	100	Differential	13.37	12.41	7.76
841-MPX V7025GC6U	MPXV7025GC6U	G	Small Outline SMT w/Axial Port	3.6	100	Gauge	13.37	12.58	9.71
841-MPX V7025GP	MPXV7025GP	I	Sensor 8 Pin GP	3.6	25	Gauge	13.97	12.41	9.58