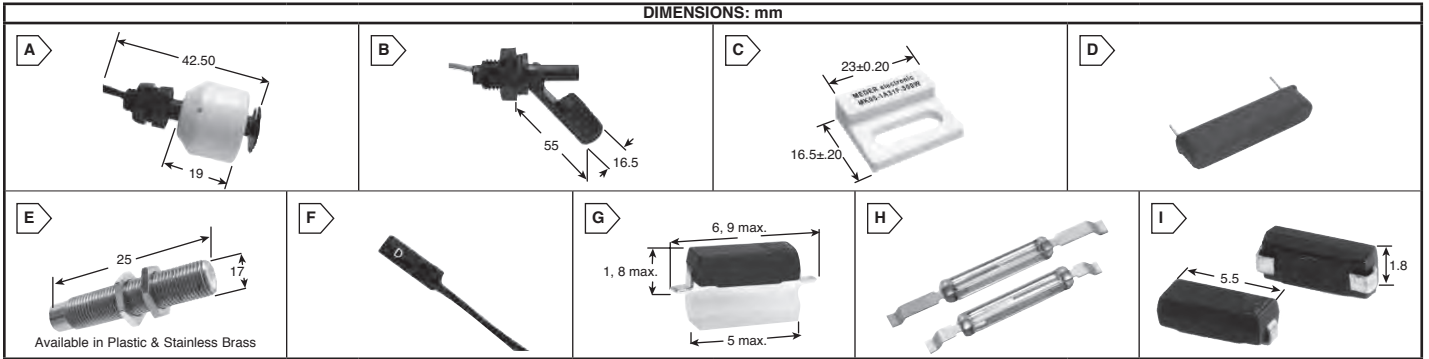


MEDER MKXX Series Reed Sensors and Magnets

MEDER electronic

RoHS Compliant This product is RoHS compliant.



MKXX/LS01 LEVEL AND REED SENSORS

Features:

- Millions of reliable operations
- Various mounting options

For quantities greater than listed, call for quote.

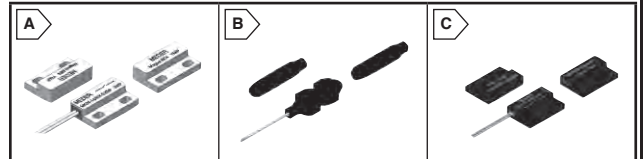
For quantities greater than listed, call for quote.

MOUSER STOCK NO.	Meder Part No.	Fig.	Power (max.)	Voltage (max)	Price Each	
					1	10
LS01 Series - Level Sensors with Magnetic Floats						
876-LS01-1B66-PA500W	LS01-1B66-PA-500W	A	3 W	175 V	14.15	12.97
876-LS03-1A66-PA500W	LS03-1A66-PA-500W	B	10 W	200 V	14.21	13.20
MK05 Series Reed Sensors with Screw Fastening Slot						
876-MK5-1A66B-500W	MK05-1A66B-500W	C	10 W	200 V	9.76	8.25
876-MK5-1A66C-500W	MK05-1A66C-500W	C	10 W	180 V	12.04	10.94
876-MK5-1B90C-500W	MK05-1B90C-500W	C	10 W	175 V	13.51	12.28
MK06 Series Reed Sensors for PCB Mounting						
876-MK6-4-B	MK06-4-B	D	10 W	200 V	2.65	2.49
876-MK6-6-B	MK06-6-B	D	10 W	200 V	1.92	1.59
876-MK6-6-C	MK06-6-C	D	10 W	200 V	1.91	1.58
876-MK6-8-H	MK06-8-H	D	10 V	175 V	7.07	6.70
MK11 Series Reed Sensor with Screw Thread Enclosure - Brass - Stainless - Plastic						
* 876-MK11/M81A66B500W	MK11/M8-1A66B-500W	E	10 W	200 V	7.10	6.48
876-MK11/B101A66B500W	MK11/B10-1A66B-500W	E	10 W	180 V	49.41	45.08
876-MK11/B121A66B500W	MK11/B12-1A66B-500W	E	10 W	180 V	51.34	46.86
876-MK11/B81A66B500W	MK11/B8-1A66B-500W	E	10 W	180 V	45.63	41.64
876-MK11/B81A66B500W	MK11/B8-1A66B-500W	E	10 W	180 V	47.54	43.37
876-MK11/M81A66C500W	MK11/M8-1A66C-500W	E	10 W	180 V	10.27	9.38
876-MK11/M81A85C500W	MK11/M8-1A85C-500W	E	100 W	500 V	13.30	12.14
876-MK11/M81B90C500W	MK11/M8-1B90C-500W	E	10 V	175 V	14.84	13.55
876-MK11/M81C90C500W	MK11/M8-1C90C-500W	E	10 W	175 V	16.35	14.93
876-MK11-1A66B-500W	MK11-1A66B-500W	E	10 W	180 V	9.55	8.71
* 876-MK11-1A66C-500W	MK11-1A66C-500W	E	10 W	200 V	13.23	12.07

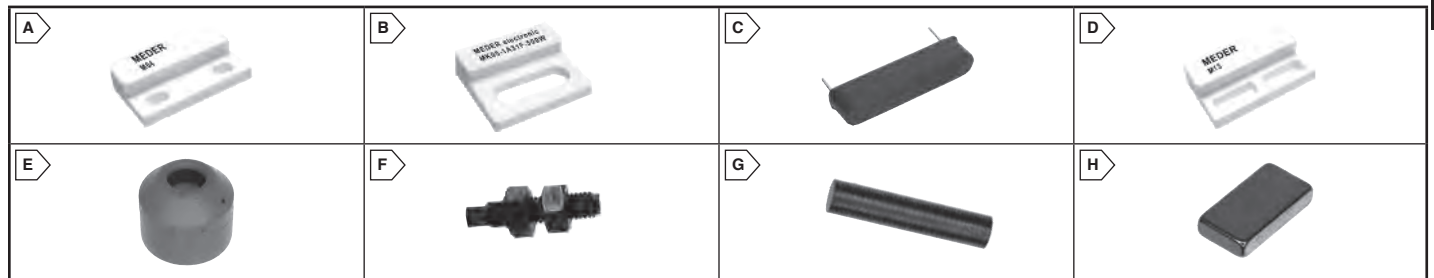
MOUSER STOCK NO.	Meder Part No.	Fig.	Power (max.)	Voltage (max)	Price Each	
					1	10
MK20/1 Series Cylindrical Reed Sensors						
876-MK20/1-B-100W	MK20/1-B-100W	F	5 W	175 V	5.91	5.00
MK22 Series Reed Sensors for SMD Mounting						
876-MK22-B-2	IMK22-B-2	G	10 W	200 V	1.37	1.13
MK23 Series Proximity Sensors with SMD/SMT						
876-MK23-35-B-2	MK23-35-B-2	H	10 W	200 V	1.11	.915
876-MK23-66-B-2	MK23-66-B-2	H	10 W	200 V	1.11	.917
876-MK23-80-B-2	MK23-80-B-2	H	10 W	170 V	1.92	1.62
876-MK23-87-B-2	MK23-87-B-2	H	10 W	200 V	1.56	1.29
876-MK23-90-C-2	MK23-90-C-2	H	10 W	175 V	4.49	3.71
876-MK23-46-B-2	MK23-46-B-2	H	10 W	200 V	1.38	1.23
876-MK23-46-B-4	MK23-46-B-4	H	10 W	200 V	1.03	.92
876-MK23-66-B-4	MK23-66-B-4	H	10 W	200 V	1.26	1.13
876-MK23-80-B-4	MK23-80-B-4	H	10 W	170 V	2.18	1.94
876-MK23-87-B-4	MK23-87-B-4	H	10 W	200 V	1.61	1.44
876-MK23-90-B-2	MK23-90-B-2	H	10 W	175 V	4.49	3.71
MK24 Micro-Miniature Reed Sensors for SMD Mounting						
876-MK24-A-2	MK24-A-T2	G	1 W	30 V	3.28	2.95
876-MK24-A-3	MK24-A-3	G	1 W	30 V	3.32	2.99
876-MK24-B-1	MK24-B-1	G	3 W	30 V	3.75	3.43
876-MK24-B-2	MK24-B-2	G	3 W	30 V	3.28	2.95
876-MK24-B-3	MK24-B-3	I	3 W	30 V	3.77	3.44
876-MK24-B-2-OE	MK24-B-2-OE	I	3 W	30 V	5.10	4.63
876-MK24-B-3-OE	MK24-B-3-OE	I	3 W	30 V	5.09	4.63

REED SENSOR/MAGNET DESIGN EVALUATION KITS

MOUSER STOCK NO.	Meder Part No.	Fig.	Description	Price Each		
				1	5	10
876-MK04-KIT	MK04-KIT	A	MK04 Reed Sensor & Magnet Eval Kit	17.64	16.92	16.59
876-MK11/M5-KIT	MK11/M5-KIT	B	MK11/M5 Reed Sensor & Magnet Eval Kit	37.73	36.06	35.34
876-MK11/M8-KIT	MK11/M8-KIT	B	MK11/M8 Reed Sensor & Magnet Eval Kit	26.99	25.99	25.39
876-MK21P-KIT	MK21P-KIT	C	MK21P Reed Sensor & Magnet Eval Kit	16.84	16.38	16.14



MAGNETS



For quantities greater than listed, call for quote.

MOUSER STOCK NO.	Meder Part No.	Fig.	Description	Dimensions: L x W x H (mm)	Material	Price Each			
						1	10	25	
876-2500000004	M04	A	M04 Actuator Magnet, Panel Screw Mount	23 x 13.9 x 5.9	AlNiCo	4.18	3.47	2.99	
876-2500000005	M05	B	M05 Actuator Magnet, Panel Screw Mount	23 x 19.4 x 5.9	AlNiCo	4.18	3.47	2.99	
876-2500000006	M06	C	M06 Actuator Magnet, Floating	12.06 ~ 22.32 x 3.3 x 4.2	AlNiCo	2.73	2.26	1.98	
876-2500000013	M13	D	M13 Actuator Magnet, Panel Screw Mount	23 x 13.9 x 5.9	AlNiCo	4.32	3.58	3.09	
876-2500000014	M14	E	M14 Actuator Magnet, Floating	23 x 19	AlNiCo	3.78	3.12	2.74	
876-2500001108	M11/M8	F	M11/M8 Actuator Magnet, Threaded 8mm Cylindrical	25 ~ 38 x ø0.5	AlNiCo	4.64	3.83	3.42	
Permanent Magnets - Cylindrical - Rectangular									
876-4003004003	ALNICO500 4x19mm	G	4mm Permanent Cylindrical Magnet	19 x ø4	AlNiCo	1.09	.97	.82	
876-4003004006	ALNICO500 7.5x2mm	G	7.6mm Permanent Cylindrical Magnet	27 x ø7.6	AlNiCo	3.04	2.53	2.21	
876-4003004015	ALNICO500 2.5x12.7mm	G	2.5mm Permanent Cylindrical Magnet	12.7 x ø2.5	AlNiCo	1.05	.819	.729	
876-4003004017	SMCO5 1.9x3mm	G	1.9mm Permanent Cylindrical Magnet	3 x ø1.9	SmCo5	1.16	1.05	.911	
876-4003004018	ALNICO500 19x3.2x3.2	H	Permanent Rectangular Magnet	19 x 3.2 x 3.2	AlNiCo	1.58	1.35	1.22	
876-4003004025	SMCO5 3x4mm	G	3mm Permanent Cylindrical Magnet	4 x ø3	SmCo5	1.06	.968	.848	
876-4003004026	SMCO5 5x4mm	G	5mm Permanent Cylindrical Magnet	4 x ø5	SmCo5	1.73	1.44	1.29	
876-4003004030	NDFEB 6x10mm	G	6mm Permanent Cylindrical Magnet	10 x ø6	NdFeb	6.76	6.14	5.62	
876-4003004032	NDFEB 10x5x1.9mm	H	Permanent Rectangular Magnet	10 x 5 x 1.9	NdFeb	1.18	.91	.73	