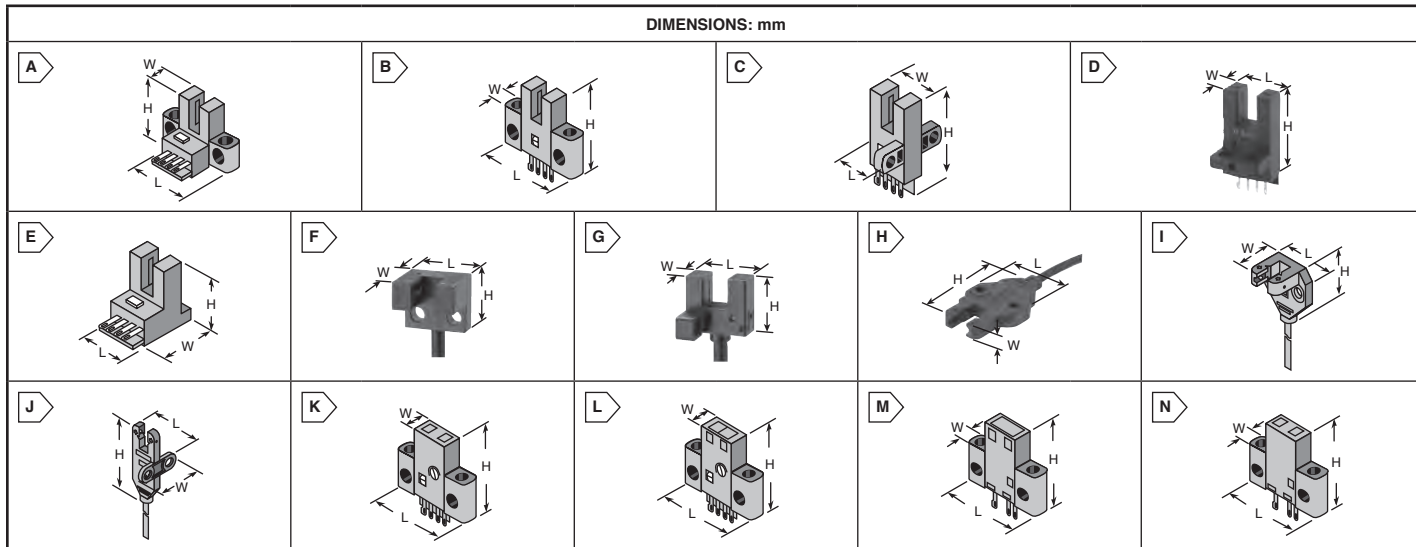


OMRON Photomicrosensors



DIMENSIONS: mm



OMRON TRANSMISSIVE, THROUGH-BEAM, SLOT-TYPE, AMPLIFIED, NON-MODULATED PHOTOMICROSENSORS

Specifications:

- Sensing distance/slot width: 5.0mm
- Aperture: 0.80mm

Features:

- Wide operating voltage range: 5-24VDC



* Indicator light turns ON when light is interrupted. ** Slot center 7mm

For quantities greater than listed, call for quote.

MOUSER STOCK NO.	Omron Part No.	Fig.	Dimensions (mm)			Output Configuration	Output	Connecting Method	Price Each	
			L	W	H				1	25
With Incident Light - Includes Flex Robot Cable										
653-EE-SX471	EE-SX471	A	26.2	6.35	15.5	Light-ON	NPN	4 pole connector	30.00	25.00
653-EE-SX670	EE-SX670	B	25.4	6.95	22.2	Dark-ON/Light-ON (Selectable)	NPN	4 pole connector	28.20	25.05
* 653-EE-SX670P	EE-SX670P	B	25.4	6.95	22.2	Dark-ON/Light-ON (Selectable)	PNP	4 pole connector	27.07	24.42
653-EE-SX671	EE-SX671	A	26.2	6.35	15.5	Dark-ON/Light-ON (Selectable)	PNP	4 pole connector	20.69	18.42
653-EE-SX672	EE-SX672	C	13.0	13.40	22.2	Dark-ON/Light-ON (Selectable)	NPN	4 pole connector	21.94	17.70
** 653-EE-SX672-WR1M	EE-SX672-WR 1M	D	13.0	13.40	22.2	Dark-ON/Light-ON (Selectable)	NPN	Pre-wired 1m	29.22	22.21
653-EE-SX673	EE-SX673	D	13.4	12.80	22.2	Dark-ON/Light-ON (Selectable)	NPN	4 pole connector	23.59	20.65
653-EE-SX674	EE-SX674	E	13.6	21.50	15.5	Dark-ON/Light-ON (Selectable)	NPN	4 pole connector	22.33	19.87
653-EE-SX911-R1M	EE-SX911-R 1M	F	13.4	12.00	12.0	Light-ON/Dark-ON	NPN	Pre-wired 1m	30.02	21.44
653-EE-SX912-R1M	EE-SX912-R 1M	G	13.4	11.70	12.0	Light-ON/Dark-ON	NPN	Pre-wired 1m	20.72	17.91
With Incident Light - Visible Indicator From Both Sides										
653-EE-SX770	EE-SX770	H	18.0	4.00	22.1	Dark-ON	NPN	Pre-wired 2m	38.41	34.56
653-EE-SX771	EE-SX771	I	18.0	13.00	21.0	Dark-ON	NPN	Pre-wired 2m	38.66	34.79
653-EE-SX772	EE-SX772	J	12.3	19.10	31.1	Dark-ON	NPN	Pre-wired 2m	29.54	23.97
653-EE-SX870	EE-SX870	H	18.0	4.00	22.1	Light-ON	NPN	Pre-wired 2m	38.95	29.48
653-EE-SX871	EE-SX871	I	18.0	13.00	21.0	Light-ON	NPN	Pre-wired 2m	28.32	24.49
653-EE-SX872	EE-SX872	J	12.3	19.10	31.1	Light-ON	NPN	Pre-wired 2m	31.82	26.14
No Incident Light - Includes Flex Robot Cable										
* 653-EE-SX670A	EE-SX670A	B	25.4	6.95	22.2	Dark-ON/Light-ON (Selectable)	NPN	4 pole connector	21.49	18.13
* 653-EE-SX671A	EE-SX671A	A	26.2	6.35	15.5	Dark-ON/Light-ON (Selectable)	NPN	4 pole connector	20.41	16.37
* 653-EE-SX672A	EE-SX672A	C	13.0	13.40	22.2	Dark-ON/Light-ON (Selectable)	NPN	4 pole connector	19.86	18.29
* 653-EE-SX673A	EE-SX673A	D	13.4	12.80	22.2	Dark-ON/Light-ON (Selectable)	NPN	4 pole connector	23.92	21.53

Photomicrosensors Omron

OMRON REFLECTIVE, AMPLIFIED, NON-MODULATED PHOTOMICROSENSORS

Specifications:

- Indicator mode: Incident light

Features:

- Easy adjustment with a built-in sensitivity adjuster
- Easy optical axis monitoring with a bright light indicator
- Compact design incorporating a built-in amplifier and special IC enables direct switching capacity of up to 100mA.



RoHS Compliant

For quantities greater than listed, call for quote.

MOUSER STOCK NO.	Omron Part No.	Fig.	Dimensions (mm)			Output Configuration	Output	Termination	Price Each	
			L	W	H				1	25
With Side Sensitivity Adjuster, Infrared Light										
653-EE-SY671	EE-SY671	K	25.4	6.95	31.4	Dark-ON/Light-ON (Selectable)	NPN	Solder	24.10	19.34
With Top Sensitivity Adjuster										
653-EE-SY672	EE-SY672	L	25.4	6.95	31.4	Dark-ON/Light-ON (Selectable)	NPN	Solder	26.02	23.03

OMRON REFLECTIVE, AMPLIFIED, LIGHT-MODULATED PHOTOMICROSENSORS

Specifications:

- Indicator mode: Incident light
- Output type: NPN
- Termination: Connector

Features:

- Light modulation effectively reduces external light interference.



RoHS Compliant

For quantities greater than listed, call for quote.

MOUSER STOCK NO.	Omron Part No.	Fig.	Dimensions (mm)			Sensing Method	Output Configuration	Detect	Price Each	
			L	W	H				1	25
Slit										
653-EE-SPY402	EE-SPY402	M	26.0	7.00	20.0	Diffuse	Light-ON	Top	54.54	49.09
For Shiny Background										
653-EE-SPY311	EE-SPY311	N	26.0	7.60	22.8	Light Convergent	Dark-ON	Side	42.96	38.03
653-EE-SPY312	EE-SPY312	M	26.0	8.00	22.8	Light Convergent	Dark-ON	Top	40.31	35.68
653-EE-SPY411	EE-SPY411	N	26.0	8.00	22.8	Light Convergent	Light-ON	Side	40.31	35.68
653-EE-SPY412	EE-SPY412	M	26.0	8.00	22.8	Light Convergent	Light-ON	Top	42.96	38.03

