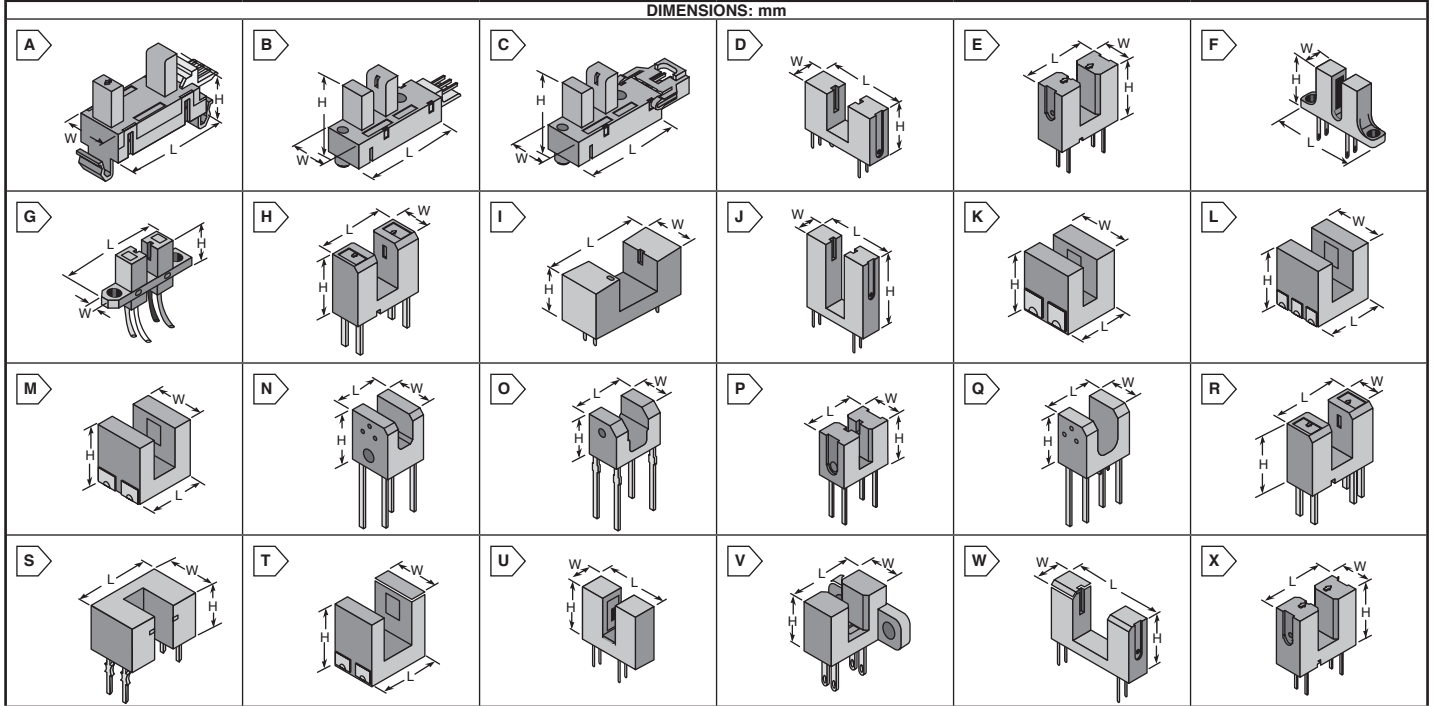


OMRON Photomicrosensors

OMRON
ELECTRONIC COMPONENTS

This product is RoHS compliant.
RoHS Compliant

DIMENSIONS: mm



OMRON TRANSMISSIVE, NON-AMPLIFIED PHOTOMICROSENSORS

- Features:**
- Photo IC output signals directly connect with C-MOS and TTL
- For quantities greater than listed, call for quote.

MOUSER STOCK NO.	Omron Part No.	Fig.	Output Configuration	Dimensions: (mm)			Slot Width (mm)	Aperture (mm)	Mounting	Note	Price Each		
				L	W	H					1	25	50
General Purpose													
653-EE-SX461-P11	EE-SX461-P11	A	Photo IC	30.5	12.00	18.0	15.0	2.00	Snap-in	- - -	6.97	6.27	5.57
High-Resolution													
653-EE-SX3239-P2	EE-SX3239-P2	A	Photo IC	17.0	8.00	12.6	5.0	0.50	Snap-in	Low-level voltage 16mA without incident	3.88	3.67	3.56
653-EE-SX4235A-P2	EE-SX4235A-P2	A	Photo IC	17.0	8.00	12.6	5.0	0.50	Snap-in	Low-level voltage 16mA with incident	2.17	2.03	1.93
653-EE-SX3009-P1	EE-SX3009-P1	B	Photo IC Dark-ON	34.0	11.00	21.0	5.0	0.50	Screw	Connects to TE AMP's EI-series connectors	4.02	3.61	3.21
653-EE-SX4009-P1	EE-SX4009-P1	B	Photo IC Light-ON	34.0	11.00	21.0	5.0	0.50	Screw	Connects to TE AMP's EI-series connectors	3.19	3.04	2.98
653-EE-SX4009-P10	EE-SX4009-P10	C	Photo IC	34.0	11.00	21.0	5.0	0.50	Screw	Connects to US Molex connectors	5.22	4.69	4.17

OMRON TRANSMISSIVE, NON-AMPLIFIED PHOTOMICROSENSORS WITH EMITTERS AND DETECTORS

- Specifications:**
- Absolute maximum ratings: Ta = 25°C
- For quantities greater than listed, call for quote.

MOUSER STOCK NO.	Omron Part No.	Fig.	Dimensions: (mm)			Slot Width (mm)	Aperture (mm)	Emitter Rated Value			Termination	Note	Price Each		
			L	W	H			Forward Current	Pulse Forward Current	Reverse Voltage			1	25	50
General Purpose															
653-EE-SX1025	EE-SX1025	D	8.9	4.00	5.4	2.8	0.50	50mA	-	4V	PCB	Phototransistor output	2.67	2.43	2.17
653-EE-SX1071	EE-SX1071	E	13.6	6.20	10.2	3.4	0.50	50mA	-	4V	PCB	Phototransistor output	1.76	1.63	1.47
653-EE-SG3	EE-SG3	F	25.4	6.35	11.5	3.6	0.20	50mA	1A	4V	Solder	Dust-proof	4.12	3.70	3.30
653-EE-SG3-B	EE-SG3-B	F	25.4	6.35	11.5	3.6	0.20	50mA	1A	4V	PCB	Dust-proof	4.79	4.47	4.29
653-EE-SX1088-W1	EE-SX1088-W1	G	25.0	6.00	10.0	5.0	0.50	50mA	1A	4V	Solder	Pre-wired	11.31	10.17	9.04
653-EE-SX1081	EE-SX1081	H	13.7	5.00	10.0	5.0	0.50	50mA	1A	4V	PCB	-	1.64	1.54	1.47
653-EE-SX1035	EE-SX1035	I	12.6	6.30	6.7	5.2	1.00	50mA	1A	4V	PCB	Compact	2.32	2.17	2.07
653-EE-SX1140	EE-SX1140	J	23.0	5.00	16.3	14.0	1.50	50mA	1A	4V	PCB	-	2.41	2.31	2.19
High-Resolution															
653-EE-SX1107	EE-SX1107	K	3.4	3.00	3.0	1.0	0.15	25mA	100mA	5V	PCB	-	.95	.94	.88
653-EE-SX1131	EE-SX1131	L	5.0	4.00	4.0	2.0	0.30	25mA	100mA	5V	PCB	Dual-channel output	1.16	1.03	.96
653-EE-SX1108	EE-SX1108	M	5.0	4.00	4.0	2.0	0.30	25mA	100mA	5V	PCB	-	.94	.90	.87
653-EE-SX1103	EE-SX1103	N	5.0	4.20	5.2	2.0	0.40	50mA	-	5V	Solder	-	1.45	1.35	1.28
653-EE-SX1105	EE-SX1105	O	4.9	2.60	3.3	2.0	0.40	50mA	-	5V	PCB	-	1.13	1.08	1.05
653-EE-SX1018	EE-SX1018	P	8.0	4.00	6.0	2.0	0.50	50mA	1A	4V	PCB	-	1.66	1.53	1.47
653-EE-SX1106	EE-SX1106	Q	6.4	4.20	5.4	3.0	0.40	50mA	-	5V	PCB	-	1.21	1.13	1.07
653-EE-SX398	EE-SX398	R	12.2	5.00	10.0	3.0	0.50	50mA	-	4V	Solder	Photo IC output - Dark-ON	1.94	1.84	1.70
653-EE-SX498	EE-SX498	R	12.2	5.00	10.0	3.0	0.50	50mA	-	4V	Solder	Photo IC output - Light-ON	1.91	1.79	1.59
653-EE-SX1046	EE-SX1046	S	10.0	6.50	5.0	3.0	0.50	50mA	1A	4V	PCB	-	4.18	3.75	3.34
653-EE-SX1109	EE-SX1109	T	6.0	4.00	5.0	3.0	0.50	25mA	100mA	5V	PCB	-	1.02	.96	.92
653-EE-SJ3-D	EE-SJ3-D	U	13.6	6.20	10.2	3.4	0.20	50mA	1A	4V	Solder	-	3.99	3.77	3.38
653-EE-SX301	EE-SX301	U	14.4	6.20	10.2	3.4	0.50	50mA	-	4V	Solder	Photo IC output	5.26	5.03	4.77
653-EE-SX3088	EE-SX3088	F	25.0	6.00	10.0	3.4	0.50	50mA	-	4V	Solder	Photo IC output - Dark-ON	3.44	3.10	2.82
653-EE-SX4088	EE-SX4088	F	25.0	6.00	10.0	3.4	0.50	50mA	-	4V	Solder	Photo IC output - Light-ON	3.33	2.98	2.65
653-EE-SX1031	EE-SX1031	E	13.6	6.20	10.2	3.4	0.50	50mA	-	4V	PCB	Separate LED/phototransistor combo	4.77	4.29	3.81
653-EE-SH3	EE-SH3	F	25.4	6.20	10.2	3.4	0.50	50mA	1A	4V	Solder	-	3.63	3.26	2.90
653-EE-SH3-G	EE-SH3-G	F	25.4	6.20	10.2	3.4	0.50	50mA	1A	4V	PCB	-	4.22	3.79	3.37
653-EE-SV3	EE-SV3	V	15.0	19.00	10.2	3.4	0.50	50mA	1A	4V	Solder	-	3.90	3.67	3.49
653-EE-SV3-B	EE-SV3-B	V	15.0	19.00	10.2	3.4	0.50	50mA	1A	4V	PCB	-	3.53	3.30	3.15
653-EE-SX4081	EE-SX4081	H	13.7	5.00	10.0	5.0	0.50	50mA	-	4V	Solder	Photo IC output	2.85	2.55	2.27
653-EE-SX1042	EE-SX1042	J	14.0	5.00	14.5	5.0	0.50	50mA	-	4V	PCB	Phototransistor output	1.66	1.53	1.47
653-EE-SX4070	EE-SX4070	W	17.7	6.00	10.0	8.0	0.50	50mA	-	4V	Solder	Photo IC output	2.36	2.19	2.10
High-Sensitivity															
653-EE-SJ3-C	EE-SJ3-C	U	13.6	6.20	10.2	3.4	1.00	50mA	1A	4V	Solder	-	3.52	3.17	2.81
High-Temperature															
653-EE-SX1041	EE-SX1041	X	14.0	6.00	10.0	5.0	0.50	50mA	-	4V	PCB	Phototransistor output	1.48	1.38	1.32
653-EE-SX1070	EE-SX1070	W	17.7	6.00	10.0	8.0	0.50	50mA	-	4V	PCB	Phototransistor output	1.90	1.76	1.69