

# OMRON Photoelectric Sensors and Fiber-Optic Amplifiers

INDUSTRIAL AUTOMATION

## OMRON E3F2 SERIES: M18 CYLINDRICAL PHOTOELECTRIC SENSORS

### Specifications:

- Supply voltage: AC 24-240VAC, 50/60Hz DC 10-30VDC

### Features:

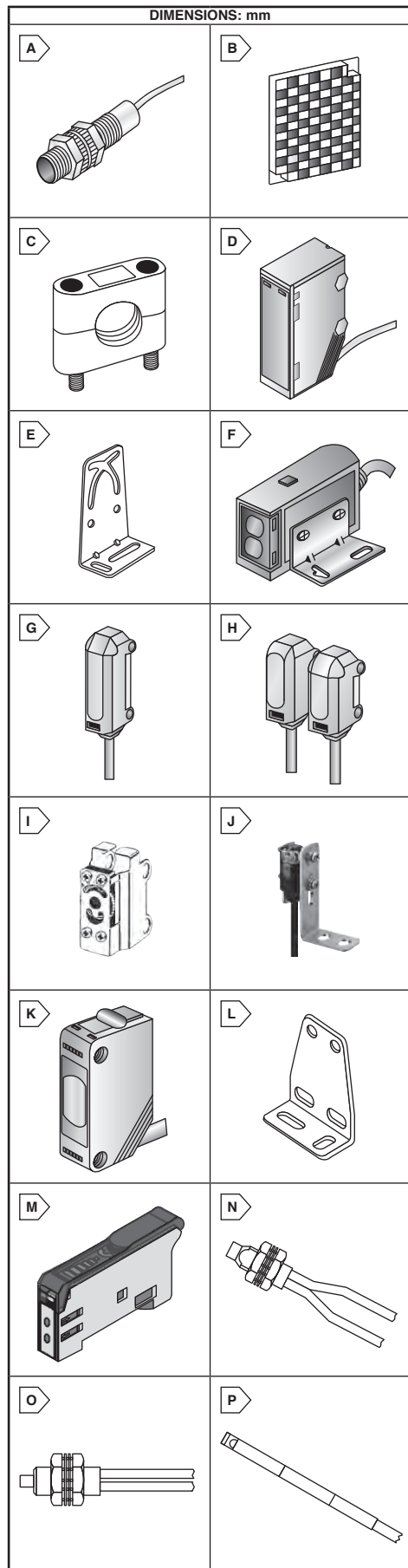
- Easy installation by M18 housing
- Compact and space-saving
- PVC cable sheath



\* Reflector is ordered separately

For quantities greater than listed, call for quote.

MOUSER STOCK NO.	Omron Part No.	Fig.	Sensing Method	Sensing Distance	Output	Body Material	Price Each			
							1	2	5	
<b>AC Supply</b>										
653-E3F2-DS1N	E3F2-DS10Z1-N	A	Diffuse-reflective	0.1m (fixed, wide-beam)	Light-ON	ABS	112.89	102.63	94.07	
* 653-E3F2-R2Z1	E3F2-R2Z1	A	Retro-reflective	0.1-2.0m (with E39-R1)	Light-ON	ABS	104.10	101.61	98.44	
* 653-E3F2-R2Z2	E3F2-R2Z2	A	Retro-reflective	0.1-2.0m (with E39-R1)	Dark-ON	ABS	100.94	97.15	95.60	
<b>DC Supply</b>										
653-E3F2-DS4M	E3F2-DS10C4-M	A	Diffuse-reflective	0.1m (fixed, wide-beam)	NPN	NPB	97.71	89.47	85.09	
<b>Accessories</b>										
653-E39-R1	E39-R1	B	Reflector, sensing distance 3m (typical)					15.82	14.77	13.48
653-Y92E-B18	Y92E-B18	C	Mounting bracket, screw mount					3.78	3.49	3.26



## OMRON E3G SERIES: LONG-DISTANCE PHOTOELECTRIC SENSORS

### Specifications:

- Sensing distance: 10m (500mm when using E39-R2)
- Supply voltage: 10-30VDC
- Power consumption: 50mA max.

### Features:

- Compact models require less wiring and space.
- Stability indicator shows at a glance when operating conditions are stable.
- Provided with the reflector E39-R2



For quantities greater than listed, call for quote.

MOUSER STOCK NO.	Omron Part No.	Fig.	Sensing Method	Output	Body Material	Price Each		
						1	5	10
653-E3G-R13	E3G-R13	D	Retro-reflective	NPN/PNP Selector	PBT	175.70	169.73	164.46
<b>Accessories</b>						1	25	50
653-E39-L131	E39-L131	E	Mounting bracket			10.87	10.31	9.73

## OMRON E3S-A SERIES: PHOTOELECTRIC SENSORS WITH AMPLIFIERS

### Specifications:

- Horizontal appearance
- Connection method: Pre-wired

### Features:

- Built-in amplifier
- Includes sensor I/O connector E39-G2 and bracket E39-L69



For quantities greater than listed, call for quote.

MOUSER STOCK NO.	Omron Part No.	Fig.	Sensing Method	Sensing Distance	Output	Body Material	Price Each		
							1	5	10
653-E3S-AT11	E3S-AT11	F	Through-beam	7m	NPN	PBT	197.06	190.36	184.45
<b>Accessories</b>						1	25	50	
653-E39-R1	E39-R1	B	Reflector, sensing distance 3m (typical)				15.82	14.77	13.48

## OMRON E3T SERIES: THIN PHOTOELECTRIC SENSORS WITH AMPLIFIERS

### Specifications:

- Current consumption: 30mA max.
- Supply voltage: 12-24VDC

### Features:

- Built-in amplifier
- Ultra-compact and contributes to equipment downsizing



For quantities greater than listed, call for quote.

MOUSER STOCK NO.	Omron Part No.	Fig.	Sensing Method	Sensing Distance	Output	Operation Mode	Price Each			
							1	5	10	
653-E3T-SL11	E3T-SL11	G	Convergent-reflective	5-15mm	NPN	Light-ON	88.13	85.15	80.89	
653-E3T-ST12	E3T-ST12	H	Through-beam	1m	NPN	Dark-ON	100.89	97.46	94.43	
<b>Accessories</b>							1	10	25	
653-E39-E10	E39-E10	I	Sensitivity adjustment unit for E3T-ST1 through-beam models					45.76	44.95	43.14
653-E39-L117	E39-L117	J	Mounting bracket, side-view					11.29	10.99	10.38

## OMRON E3Z SERIES: PHOTOELECTRIC SENSORS WITH BUILT-IN AMPLIFIERS

### Specifications:

- Current consumption: 30mA max.
- Supply voltage: 12-24VDC

### Features:

- Compact sensor offers long sensing
- Superior noise-immunity



For quantities greater than listed, call for quote.

MOUSER STOCK NO.	Omron Part No.	Fig.	Sensing Distance	Output	Light Source	Connection Method	Price Each			
							1	5	10	
<b>Retro-Reflective</b>										
* 653-E3Z-R61	E3Z-R61	K	100mm-3m	NPN	Red LED	Pre-wired	108.98	99.07	90.81	
653-E3Z-B86	E3Z-B86	K	500mm	PNP	Red LED	M8	131.24	116.10	112.42	
<b>Diffuse-Reflective</b>										
653-E3Z-D82	E3Z-D82	K	1m	PNP	Infrared LED	Pre-wired	109.85	107.12	104.36	
<b>Accessories</b>										
653-E39-R1	E39-R1	B	Reflector for retro-reflective models, sensing distance 3m (typical)					15.82	14.77	13.48
653-E39-R1S	E39-R1S	B	Reflector for retro-reflective models, sensing distance 4m (typical)					20.94	19.26	19.26
653-E39-L104	E39-L104	L	Mounting bracket, horizontal L-bracket					8.26	8.17	8.10

## OMRON E3X-NA SERIES: FIBER-OPTIC AMPLIFIERS WITH CABLES

### Specifications:

- Control output: ON/OFF
- Supply voltage: 12-24VDC
- Current consumption: 35mA max.

### Features:

- User-friendly
- Streamlined features provide basic sensing immediately after plug-in.



For quantities greater than listed, call for quote.

MOUSER STOCK NO.	Omron Part No.	Fig.	Output	Light Source	Operation Mode	Price Each		
						1	2	5
653-E3X-NA41	E3X-NA41	M	PNP	Red LED	Light-ON/Dark-ON	174.57	160.31	152.80

## OMRON FIBER-OPTIC CABLES

### Specifications:

- Permissible bending radius: 25mm
- Core material: PMMA
- Sheath material: Black polyethylene

### Features:

- Coiled and ultra-flexible cables are ideal for flexing and reciprocating machinery such as robots



For quantities greater than listed, call for quote.

MOUSER STOCK NO.	Omron Part No.	Fig.	Type	Application	Head	Price Each		
						1	5	10
653-E32-DC200	E32-DC200	N	Diffuse	General purpose	M6 threaded	58.30	56.91	55.13
653-E32-TC200	E32-TC200	O	Through-beam	General purpose	M4 threaded	56.63	55.28	53.55
653-E32-T14L	E32-T14L	P	Through-beam	Long-distance	3mm diameter	113.39	104.10	99.21