

# SPECTRA SYMBOL Flex, Pot Sensors and Wipers

## FLEX SENSORS

- Features:**
- Angle Displacement Measurement
  - Possible Uses: Robotics, Gaming (virtual motion), Medical Devices, Computer Peripherals, Musical Instruments, Physical Therapy

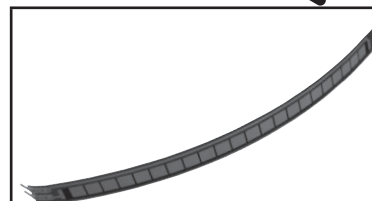
- Simple Construction
- Low Profile
- Bends and Flexes physically with motion device

**Specifications:**

- Connector: Solder Tab
- Resistance:  $\leq 0.43\text{mm}$  (0.017")
- Model: Linear

For quantities greater than listed, call for quote.

MOUSER STOCK NO.	Spectra Symbol Part No.	Active Length	Height	Price Each		
				1	10	25
744-FS-L-0112-103ST	FS-L-0112-103-ST	0112 = 112.24mm	103 = 10 KOhms	12.95	11.66	11.07



Flex

## SOFTPOT MEMBRANE POTENTIOMETER SENSORS

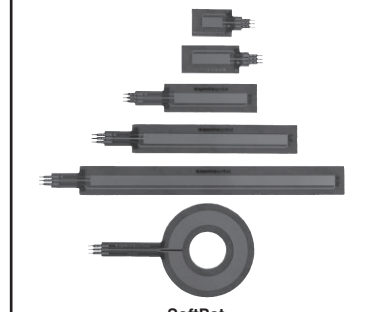
Spectra Symbol offers the SoftPot Membrane Potentiometer Sensor for universal position sensing in linear-stroke applications such as seat position, actuator position, handheld medical device location and switch, electronic musical instrumentation, and other position feedback devices. Features of the Spectra Symbol SoftPot include a 0.5mm height with lengths extending 12.5mm to 1,000mm in length, 3M adhesive, provides IP65 rating Spectra Symbol's SoftPot Membrane Potentiometer Sensors are currently a medical standard in the healthcare industry, as well as in many industrial applications. An inexpensive and low form-factor way to achieve full travel position sensing.

**Specifications:**

- Connector: Solder Tab
- Voltage Rating: 500VAC
- Resistance Tolerance: 20%
- Temperature Range: -40°C to +50°C
- Output Type: Analog-Voltage

For quantities greater than listed, call for quote.

MOUSER STOCK NO.	Spectra Symbol Part No.	Active Length	Linearity	Total Resistance	Price Each		
					1	10	25
744-SP-L-0012-1033ST	SP-L-0012-103-3%-ST	12.5mm	3%	10 KOhms	7.95	7.16	6.97
744-SP-L-0025-1033ST	SP-L-0025-103-3%-ST	25mm	3%	10 KOhms	9.95	8.96	8.72
744-SP-L-0050-1033ST	SP-L-0050-103-3%-ST	50mm	3%	10 KOhms	12.95	11.66	11.34
744-SP-L-0100-1033ST	SP-L-0100-103-3%-ST	100mm	3%	10 KOhms	14.95	13.46	13.09
744-SP-L-0150-1033ST	SP-L-0150-103-3%-ST	150mm	3%	10 KOhms	16.95	15.26	13.97
744-SP-L-0170-1033ST	SP-L-0170-103-3%-ST	170mm	3%	10 KOhms	17.45	15.71	15.26
744-SP-L-0200-1033ST	SP-L-0200-103-3%-ST	200mm	3%	10 KOhms	17.95	16.16	15.72
744-SP-L-0300-1033ST	SP-L-0300-103-3%-ST	300mm	3%	10 KOhms	18.95	17.06	16.59
744-SP-L-0400-2033ST	SP-L-0400-203-3%-ST	400mm	3%	20 KOhms	20.95	18.86	18.34
744-SP-L-0500-2033ST	SP-L-0500-203-3%-ST	500mm	3%	20 KOhms	25.95	23.36	22.72
744-SP-L-0750-2033ST	SP-L-0750-203-3%-ST	750mm	3%	20 KOhms	34.95	31.46	30.59
744-SP-L-1000-2033ST	SP-L-1000-203-3%-ST	1000mm	3%	20 KOhms	44.95	40.46	39.34
744-SPR00463531035ST	SP-R-0046-353-103-5%-ST	46mm Diameter	5%	10 KOhms	14.95	13.46	13.09



SoftPot

## HOTPOT MEMBRANE POTENTIOMETER SENSORS

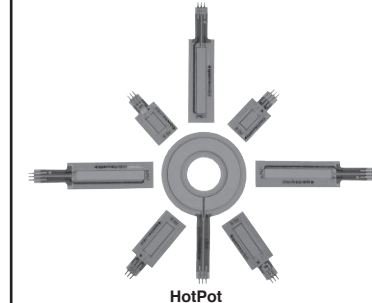
The Spectra Symbol HotPot Membrane Potentiometer Sensor was developed with the most rugged membrane technology and boasts over a 10 million life cycle. Robust in humidity, in temperatures up to 85°C, and as low as -40°C, the HotPot is an industrial, military, outdoor, and automotive preferred sensor and is ideal for door and window position sensing, as well. The Spectra Symbol HotPot Membrane Potentiometer Sensor securely bonds to the host with 3M pressure sensitive adhesive (PSA) and is IP65 rated - dust proof and water proof for intense spray.

**Specifications:**

- Connector: Solder Tab
- Voltage Rating: 500VAC
- Resistance Tolerance: 20%
- Temperature Range: -40°C to +85°C
- Output Type: Analog-Voltage

For quantities greater than listed, call for quote.

MOUSER STOCK NO.	Spectra Symbol Part No.	Active Length	Linearity	Total Resistance	Price Each		
					1	10	25
744-HP-L-0012-1033ST	HP-L-0012-103-3%-ST	12.5mm	3%	10 KOhms	10.95	9.86	9.59
744-HP-L-0025-1033ST	HP-L-0025-103-3%-ST	25mm	3%	10 KOhms	13.95	12.56	12.22
744-HP-L-0050-1033ST	HP-L-0050-103-3%-ST	50mm	3%	10 KOhms	16.95	15.26	14.84
744-HP-L-0100-1033ST	HP-L-0100-103-3%-ST	100mm	3%	10 KOhms	18.95	17.06	16.59
744-HP-L-0150-1033ST	HP-L-0150-103-3%-ST	150mm	3%	10 KOhms	19.95	17.96	17.47
744-HP-L-0170-1033ST	HP-L-0170-103-3%-ST	170mm	3%	10 KOhms	20.95	18.86	18.34
744-HP-L-0200-1033ST	HP-L-0200-103-3%-ST	200mm	3%	10 KOhms	21.95	19.76	19.22
744-HP-L-0300-1033ST	HP-L-0300-103-3%-ST	300mm	3%	10 KOhms	25.95	23.36	22.72
744-HP-L-0400-2033ST	HP-L-0400-203-3%-ST	400mm	3%	20 KOhms	27.95	25.16	24.47
744-HP-L-0500-2033ST	HP-L-0500-203-3%-ST	500mm	3%	20 KOhms	30.95	27.86	27.09
744-HP-L-1000-2033ST	HP-L-1000-203-3%-ST	1000mm	3%	20 KOhms	59.95	53.96	52.47
744-HPR00463531035ST	HP-R-0046-353-103-5%-ST	46mm Diameter	5%	10 KOhms	18.95	17.06	16.59



HotPot

## MAGNETOPOT SENSORS

The MagnetoPot is simple, yet elegant in its ability to track motion in a contactless manner. A magnet on the inside of a cylinder, or on the other side of a motion device will guide the built-in magnetics of the MagnetoPot for position output as a voltage divider. As opposed to a Reed Switch, which gives simply "open" or "close" signals, the MagnetoPot gives the full linear travel as a magnetic sensor. For the cost of a Reed Switch, the MagnetoPot offers tremendous sensing solutions for a fraction of other magnetic sensors costs. What position sensor can offer the magnetic characteristics of a reed switch with the output of a potentiometer, for the same cost of a Reed Switch? Only Spectra Symbol's MagnetoPot.

**Specifications:**

- Connector: Solder Tab
- Voltage Rating: 500VAC
- Resistance Tolerance: 20%
- Temperature Range: -40°C to +85°C
- Output Type: Analog-Voltage

For quantities greater than listed, call for quote.

MOUSER STOCK NO.	Spectra Symbol Part No.	Active Length	Linearity	Total Resistance	Price Each		
					1	10	25
744-MP1-L-00121035ST	MP1-L-0012-103-5%-ST	12.5mm	5%	10 KOhms	11.95	10.76	10.47
744-MP1-L-00251035ST	MP1-L-0025-103-5%-ST	25mm	5%	10 KOhms	14.95	13.46	13.09
744-MP1-L-00501035ST	MP1-L-0050-103-5%-ST	50mm	5%	10 KOhms	17.95	16.16	15.72
744-MP1-L-01001035ST	MP1-L-0100-103-5%-ST	100mm	5%	10 KOhms	19.95	17.96	17.47
744-MP1-L-01501035ST	MP1-L-0150-103-5%-ST	150mm	5%	10 KOhms	20.95	18.86	18.32
744-MP1-L-01721035ST	MP1-L-0172-103-5%-ST	170mm	5%	10 KOhms	21.95	19.76	19.22
744-MP1-L-02001035ST	MP1-L-0200-103-5%-ST	200mm	5%	10 KOhms	22.95	20.66	20.09
744-MP1-L-03001035ST	MP1-L-0300-103-5%-ST	300mm	5%	10 KOhms	26.95	24.26	23.59
744-MP1-L-04002035ST	MP1-L-0400-203-5%-ST	400mm	5%	20 KOhms	29.95	26.96	26.22
744-MP1-L-05002035ST	MP1-L-0500-203-5%-ST	500mm	5%	20 KOhms	32.95	29.66	28.84
744-MP1-L-07502035ST	MP1-L-0750-203-5%-ST	750mm	5%	20 KOhms	47.95	43.16	41.97
744-MP1-L-10002035ST	MP1-L-1000-203-5%-ST	1000mm	5%	20 KOhms	62.95	56.65	55.07
744-MP1R00463531035S	MP1-R-0046-353-103-5%-ST	46mm Diameter	5%	10 KOhms	19.95	17.96	17.47



MagnetoPot

## THINPOT SENSORS

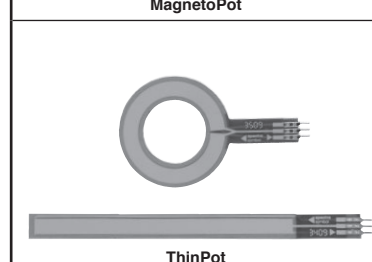
ThinPot membrane potentiometer has all of the attributes and benefits of the SoftPot, but is twice as narrow. Based on demand from the market, Spectra Symbol has developed this 10mm wide, 0.5mm thick sensor to fit in the most difficult locations.

**Specifications:**

- Connector: Solder Tab
- Voltage Rating: 500 VAC
- Resistance Tolerance: 20%
- Temperature Range: -40°C to +50°C
- Output Type: Analog-Voltage

For quantities greater than listed, call for quote.

MOUSER STOCK NO.	Spectra Symbol Part No.	Active Length	Linearity	Total Resistance	Price Each		
					1	10	25
744-TSP-L-00121033ST	TSP-L-0012-103-3%-ST	12.5mm	3%	10 KOhms	9.45	8.51	8.28
744-TSP-L-00251033ST	TSP-L-0025-103-3%-ST	25mm	3%	10 KOhms	11.45	10.31	10.03
744-TSP-L-00501033ST	TSP-L-0050-103-3%-ST	50mm	3%	10 KOhms	14.45	13.01	12.65
744-TSP-L-01001033ST	TSP-L-0100-103-3%-ST	100mm	3%	10 KOhms	16.45	14.81	14.40
744-TSP-L-01501033ST	TSP-L-0150-103-3%-ST	150mm	3%	10 KOhms	18.45	16.61	16.15
744-TSP-L-01701033ST	TSP-L-0170-103-3%-ST	170mm	3%	10 KOhms	18.95	17.06	16.59
744-TSP-L-02001033ST	TSP-L-0200-103-3%-ST	200mm	3%	10 KOhms	19.45	17.51	17.03
744-TSP-L-03001033ST	TSP-L-0300-103-3%-ST	300mm	3%	10 KOhms	20.95	18.86	18.34
744-TSP-L-04002033ST	TSP-L-0400-203-3%-ST	400mm	3%	20 KOhms	22.95	20.66	20.09
744-TSP-L-05002033ST	TSP-L-0500-203-3%-ST	500mm	3%	20 KOhms	28.45	25.61	24.90
744-TSP-L-07502033ST	TSP-L-0750-203-3%-ST	750mm	3%	20 KOhms	37.95	34.16	33.22
744-TSPR00463511035S	TSP-R-0046-351-103-5%-ST	46mm Diameter	5%	10 KOhms	16.45	14.81	14.40



ThinPot

## WIPER

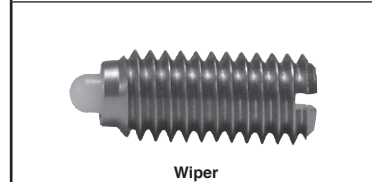
- Features:**
- Simple Light Force Actuator
  - Variable Pressure Relative to Thread Rotations
  - Seamless Interface with SoftPot and HotPot Sensors

**Specifications:**

- Tip Material: DI-Delrin
- Thread Pitch: M1=M1.0

For quantities greater than listed, call for quote.

MOUSER STOCK NO.	Spectra Symbol Part No.	Min. Force	Max. Force	Threaded Body Length	Price Each		
					1	10	25
744-WP-M1-01-03014DI	WP-M1-01-03-014-DI	01=1 Newton	03=3 Newtons	014=14mm	3.50	3.35	3.25



Wiper