

RAF HARDWARE 4.5mm Hex Metric Standoffs

RoHS Compliant This product is RoHS compliant.



MALE/FEMALE STANDOFFS

Material Specifications:

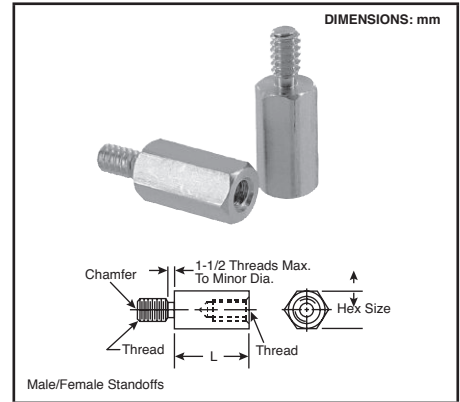
- Aluminum: QQ-A225/3, QQ-A225/6, QQ-A225/8, QQ-A200/9
- Stainless Steel: ASTM-A-581, A-582
- Nylon: LP-410A

For quantities greater than listed, call for quote.

"L" (mm)	MOUSER STOCK NO.	Thread Size	Price Each	
			1	100
Aluminum-Plain				
5	761-M2100-2545-AL	M2.5X0.45	.41	.37
8	761-M2103-2545-AL	M2.5X0.45	.44	.39
10	761-M2105-2545-AL	M2.5X0.45	.44	.40
12	761-M2107-2545-AL	M2.5X0.45	.46	.41
14	761-M2109-2545-AL	M2.5X0.45	.47	.42
16	761-M2111-2545-AL	M2.5X0.45	.47	.42
5	761-M2100-3005-AL	M3X0.5	.42	.37
7	761-M2102-3005-AL	M3X0.5	.43	.38
8	761-M2103-3005-AL	M3X0.5	.44	.39
10	761-M2105-3005-AL	M3X0.5	.45	.40
12	761-M2107-3005-AL	M3X0.5	.46	.41
15	761-M2110-3005-AL	M3X0.5	.47	.42
25	761-M2120-3005-AL	M3X0.5	.52	.47
Nylon				
5	761-M2100-2545-N	M2.5X0.45	1.16	1.04
6	761-M2101-2545-N	M2.5X0.45	1.18	1.06
7	761-M2102-2545-N	M2.5X0.45	1.20	1.07
8	761-M2103-2545-N	M2.5X0.45	1.22	1.09
9	761-M2104-2545-N	M2.5X0.45	1.24	1.11
10	761-M2105-2545-N	M2.5X0.45	1.27	1.13
11	761-M2106-2545-N	M2.5X0.45	1.28	1.14
12	761-M2107-2545-N	M2.5X0.45	1.31	1.16
13	761-M2108-2545-N	M2.5X0.45	1.33	1.18
14	761-M2109-2545-N	M2.5X0.45	1.35	1.20
15	761-M2110-2545-N	M2.5X0.45	1.36	1.21
16	761-M2111-2545-N	M2.5X0.45	1.38	1.23
17	761-M2112-2545-N	M2.5X0.45	1.41	1.26
18	761-M2113-2545-N	M2.5X0.45	1.43	1.27
19	761-M2114-2545-N	M2.5X0.45	1.44	1.29
20	761-M2115-2545-N	M2.5X0.45	1.47	1.31

For quantities greater than listed, call for quote.

"L" (mm)	MOUSER STOCK NO.	Thread Size	Price Each	
			1	100
Nylon (Cont.)				
21	761-M2116-2545-N	M2.5X0.45	1.49	1.33
22	761-M2117-2545-N	M2.5X0.45	1.51	1.35
23	761-M2118-2545-N	M2.5X0.45	1.52	1.35
24	761-M2119-2545-N	M2.5X0.45	1.55	1.39
25	761-M2120-2545-N	M2.5X0.45	1.57	1.40
5	761-M2100-3005-N	M3X0.5	1.18	1.05
6	761-M2101-3005-N	M3X0.5	1.20	1.07
7	761-M2102-3005-N	M3X0.5	1.21	1.08
8	761-M2103-3005-N	M3X0.5	1.24	1.11
9	761-M2104-3005-N	M3X0.5	1.26	1.12
10	761-M2105-3005-N	M3X0.5	1.28	1.14
11	761-M2106-3005-N	M3X0.5	1.31	1.16
12	761-M2107-3005-N	M3X0.5	1.32	1.18
13	761-M2108-3005-N	M3X0.5	1.34	1.19
14	761-M2109-3005-N	M3X0.5	1.36	1.21
15	761-M2110-3005-N	M3X0.5	1.38	1.23
16	761-M2111-3005-N	M3X0.5	1.41	1.25
17	761-M2112-3005-N	M3X0.5	1.42	1.27
18	761-M2113-3005-N	M3X0.5	1.44	1.29
19	761-M2114-3005-N	M3X0.5	1.47	1.31
20	761-M2115-3005-N	M3X0.5	1.48	1.32
21	761-M2116-3005-N	M3X0.5	1.50	1.34
23	761-M2118-3005-N	M3X0.5	1.55	1.38
24	761-M2119-3005-N	M3X0.5	1.57	1.40
25	761-M2120-3005-N	M3X0.5	1.58	1.41
Stainless Steel				
5	761-M2100-2545-SS	M2.5X0.45	1.11	.99
7	761-M2102-2545-SS	M2.5X0.45	1.17	1.04
8	761-M2103-2545-SS	M2.5X0.45	1.19	1.06
9	761-M2104-2545-SS	M2.5X0.45	1.22	1.09



For quantities greater than listed, call for quote.

"L" (mm)	MOUSER STOCK NO.	Thread Size	Price Each	
			1	100
Stainless Steel (Cont.)				
10	761-M2105-2545-SS	M2.5X0.45	1.25	1.12
12	761-M2107-2545-SS	M2.5X0.45	1.31	1.17
20	761-M2115-2545-SS	M2.5X0.45	1.53	1.36
7	761-M2102-3005-SS	M3X0.5	1.17	1.04
8	761-M2103-3005-SS	M3X0.5	1.19	1.06
12	761-M2107-3005-SS	M3X0.5	1.31	1.17
15	761-M2110-3005-SS	M3X0.5	1.38	1.23
17	761-M2112-3005-SS	M3X0.5	1.42	1.27
18	761-M2113-3005-SS	M3X0.5	1.48	1.32

FEMALE STANDOFFS

Material Specifications:

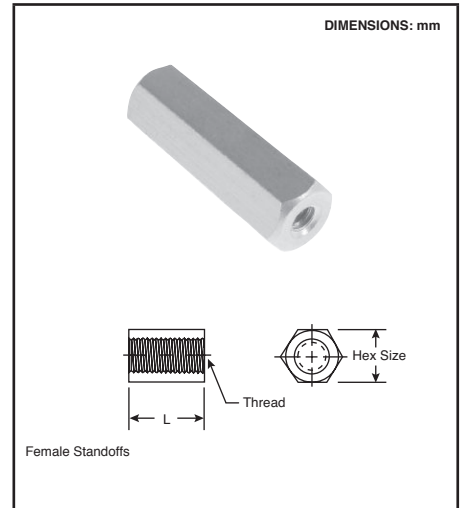
- Aluminum: QQ-A225/3, QQ-A225/6, QQ-A225/8, QQ-A200/9
- Stainless Steel: ASTM-A-581, A-582
- Nylon: LP-410A

For quantities greater than listed, call for quote.

"L" (mm)	MOUSER STOCK NO.	Thread Size	Price Each	
			1	100
Aluminum - Plain				
14	761-M1261-2545-AL	M2.5X0.45	.53	.48
15	761-M1262-2545-AL	M2.5X0.45	.56	.50
16	761-M1263-2545-AL	M2.5X0.45	.58	.51
17	761-M1264-2545-AL	M2.5X0.45	.60	.53
18	761-M1265-2545-AL	M2.5X0.45	.61	.55
19	761-M1266-2545-AL	M2.5X0.45	.62	.55
20	761-M1267-2545-AL	M2.5X0.45	.62	.55
21	761-M1268-2545-AL	M2.5X0.45	.63	.56
22	761-M1269-2545-AL	M2.5X0.45	.64	.57
23	761-M1270-2545-AL	M2.5X0.45	.64	.57
24	761-M1271-2545-AL	M2.5X0.45	.65	.58
25	761-M1272-2545-AL	M2.5X0.45	.65	.58
14	761-M1261-3005-AL	M3X0.5	.53	.48
15	761-M1262-3005-AL	M3X0.5	.56	.50
16	761-M1263-3005-AL	M3X0.5	.58	.51
17	761-M1264-3005-AL	M3X0.5	.60	.53
18	761-M1265-3005-AL	M3X0.5	.61	.55
19	761-M1266-3005-AL	M3X0.5	.62	.55
20	761-M1267-3005-AL	M3X0.5	.62	.55
21	761-M1268-3005-AL	M3X0.5	.63	.56
22	761-M1269-3005-AL	M3X0.5	.64	.57
23	761-M1270-3005-AL	M3X0.5	.64	.57
24	761-M1271-3005-AL	M3X0.5	.65	.58
25	761-M1272-3005-AL	M3X0.5	.65	.58
Stainless Steel				
14	761-M1261-2545-SS	M2.5X0.45	1.18	1.05
15	761-M1262-2545-SS	M2.5X0.45	1.22	1.09
16	761-M1263-2545-SS	M2.5X0.45	1.24	1.10
17	761-M1264-2545-SS	M2.5X0.45	1.35	1.21
18	761-M1265-2545-SS	M2.5X0.45	1.43	1.27
19	761-M1266-2545-SS	M2.5X0.45	1.45	1.29
20	761-M1267-2545-SS	M2.5X0.45	1.47	1.31

For quantities greater than listed, call for quote.

"L" (mm)	MOUSER STOCK NO.	Thread Size	Price Each	
			1	100
Stainless Steel (Cont.)				
21	761-M1268-2545-SS	M2.5X0.45	1.49	1.33
22	761-M1269-2545-SS	M2.5X0.45	1.51	1.35
23	761-M1270-2545-SS	M2.5X0.45	1.52	1.36
25	761-M1272-2545-SS	M2.5X0.45	1.57	1.40
14	761-M1261-3005-SS	M3X0.5	1.18	1.05
15	761-M1262-3005-SS	M3X0.5	1.22	1.09
16	761-M1263-3005-SS	M3X0.5	1.24	1.10
17	761-M1264-3005-SS	M3X0.5	1.35	1.21
18	761-M1265-3005-SS	M3X0.5	1.43	1.27
19	761-M1266-3005-SS	M3X0.5	1.45	1.29
20	761-M1267-3005-SS	M3X0.5	1.47	1.31
21	761-M1268-3005-SS	M3X0.5	1.49	1.33
23	761-M1270-3005-SS	M3X0.5	1.52	1.36
24	761-M1271-3005-SS	M3X0.5	1.55	1.38
25	761-M1272-3005-SS	M3X0.5	1.57	1.40
Nylon				
14	761-M1261-2545-N	M2.5X0.45	.94	.84
15	761-M1262-2545-N	M2.5X0.45	.96	.86
16	761-M1263-2545-N	M2.5X0.45	.99	.88
18	761-M1265-2545-N	M2.5X0.45	1.25	1.12
19	761-M1266-2545-N	M2.5X0.45	1.27	1.14
20	761-M1267-2545-N	M2.5X0.45	1.42	1.27
21	761-M1268-2545-N	M2.5X0.45	1.44	1.29
22	761-M1269-2545-N	M2.5X0.45	1.46	1.30
23	761-M1270-2545-N	M2.5X0.45	1.48	1.32
24	761-M1271-2545-N	M2.5X0.45	1.51	1.34
25	761-M1272-2545-N	M2.5X0.45	1.52	1.36
14	761-M1261-3005-N	M3X0.5	.94	.84
15	761-M1262-3005-N	M3X0.5	.96	.86
16	761-M1263-3005-N	M3X0.5	.99	.88
18	761-M1265-3005-N	M3X0.5	1.25	1.12
19	761-M1266-3005-N	M3X0.5	1.27	1.14
20	761-M1267-3005-N	M3X0.5	1.42	1.27
21	761-M1268-3005-N	M3X0.5	1.44	1.29
22	761-M1269-3005-N	M3X0.5	1.46	1.30
23	761-M1270-3005-N	M3X0.5	1.48	1.32
24	761-M1271-3005-N	M3X0.5	1.51	1.34
25	761-M1272-3005-N	M3X0.5	1.52	1.36



For quantities greater than listed, call for quote.

"L" (mm)	MOUSER STOCK NO.	Thread Size	Price Each	
			1	100
Nylon (Cont.)				
19	761-M1266-3005-N	M3X0.5	1.27	1.14
20	761-M1267-3005-N	M3X0.5	1.42	1.27
21	761-M1268-3005-N	M3X0.5	1.44	1.29
22	761-M1269-3005-N	M3X0.5	1.46	1.30
23	761-M1270-3005-N	M3X0.5	1.48	1.32
24	761-M1271-3005-N	M3X0.5	1.51	1.34
25	761-M1272-3005-N	M3X0.5	1.52	1.36