

RAF HARDWARE Round Spacers

RoHS Compliant This product is RoHS compliant.

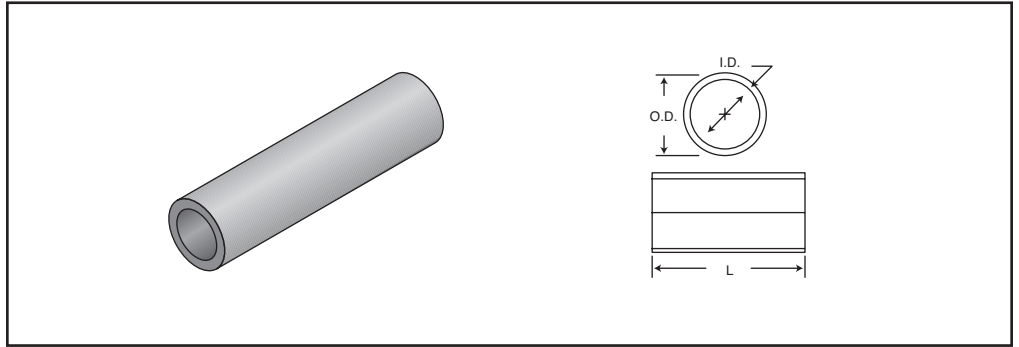


FEMALE ROUND SPACERS

Used for printed circuit board mounting and other applications requiring close control of dimensions, these spacers offer a wide variety of outside dimensions and lengths. In addition to standard models, swage configurations are available to accommodate circuit boards with thickness from 1/32 to 1/4 inch.

Material Specifications:

- Aluminum: QQ-A225/3, QQ-A225/6, QQ-A225/8, QQ-A200/9
- Stainless Steel: ASTM-A-581, A-582
- Nylon: LP-410A



RAF Hardware

Length (in.)	Screw Size	I.D. ±.005	O.D. ±.007	Aluminum Material - Clear Iridite Finish				Stainless Steel Material				Nylon Material			
				MOUSER STOCK NO.	Price Each		MOUSER STOCK NO.	Price Each		MOUSER STOCK NO.	Price Each				
					1	100		1	100		1	100			
1/8	2	0.090	3/16	761-1107-2-AL-7	.30	.26	761-1107-2-SS	.58	.51	761-1107-2-N	.15	.13			
3/16	2	0.090	3/16	761-1108-2-AL-7	.30	.27	761-1108-2-SS	.60	.53	761-1108-2-N	.17	.15			
1/4	2	0.090	3/16	761-1109-2-AL-7	.34	.29	-	-	-	761-1109-2-N	.18	.15			
5/16	2	0.090	3/16	761-1110-2-AL-7	.34	.30	-	-	-	761-1110-2-N	.18	.16			
3/8	2	0.090	3/16	761-1111-2-AL-7	.35	.30	-	-	-	761-1111-2-N	.19	.16			
7/16	2	0.090	3/16	761-1112-2-AL-7	.35	.31	-	-	-	761-1112-2-N	.19	.17			
1/2	2	0.090	3/16	761-1113-2-AL-7	.36	.32	-	-	-	761-1113-2-N	.20	.18			
1/8	4	0.115	3/16	761-1107-4-AL-7	.30	.26	-	-	-	761-1107-4-N	.15	.13			
3/16	4	0.115	3/16	761-1108-4-AL-7	.30	.27	761-1108-4-SS	.60	.53	761-1108-4-N	.17	.15			
1/4	4	0.115	3/16	761-1109-4-AL-7	.34	.29	-	-	-	761-1109-4-N	.18	.15			
5/16	4	0.115	3/16	761-1110-4-AL-7	.34	.30	-	-	-	761-1110-4-N	.18	.16			
3/8	4	0.115	3/16	761-1111-4-AL-7	.35	.30	761-1111-4-SS	.75	.66	761-1111-4-N	.19	.16			
7/16	4	0.115	3/16	761-1112-4-AL-7	.35	.31	761-1112-4-SS	.78	.68	761-1112-4-N	.19	.17			
1/2	4	0.115	3/16	761-1113-4-AL-7	.36	.32	-	-	-	761-1113-4-N	.20	.18			
1/8	4	0.115	1/4	761-1122-4-AL-7	.20	.10	761-1122-4-SS	.53	.49	761-1122-4-N	.13	.12			
3/16	4	0.115	1/4	761-1123-4-AL-7	.21	.11	761-1123-4-SS	.56	.52	761-1123-4-N	.14	.12			
1/4	4	0.115	1/4	761-1124-4-AL-7	.23	.11	-	-	-	761-1124-4-N	.16	.13			
5/16	4	0.115	1/4	761-1125-4-AL-7	.25	.13	-	-	-	761-1125-4-N	.15	.13			
3/8	4	0.115	1/4	761-1126-4-AL-7	.28	.14	-	-	-	761-1126-4-N	.15	.13			
7/16	4	0.115	1/4	761-1127-4-AL-7	.29	.14	-	-	-	761-1127-4-N	.16	.14			
1/2	4	0.115	1/4	761-1128-4-AL-7	.30	.15	-	-	-	761-1128-4-N	.16	.14			
9/16	4	0.115	1/4	761-1129-4-AL-7	.32	.16	-	-	-	761-1129-4-N	.17	.15			
5/8	4	0.115	1/4	761-1130-4-AL-7	.33	.16	-	-	-	761-1130-4-N	.17	.15			
11/16	4	0.115	1/4	761-1131-4-AL-7	.35	.17	761-1131-4-SS	1.04	.96	-	-	-			
3/4	4	0.115	1/4	761-1132-4-AL-7	.37	.18	-	-	-	761-1132-4-N	.18	.15			
13/16	4	0.115	1/4	-	-	-	-	-	-	761-1133-4-N	.18	.16			
7/8	4	0.115	1/4	761-1134-4-AL-7	.41	.21	-	-	-	761-1134-4-N	.18	.16			
15/16	4	0.115	1/4	-	-	-	-	-	-	761-1135-4-N	.18	.16			
1	4	0.115	1/4	761-1136-4-AL-7	.45	.22	-	-	-	761-1136-4-N	.19	.16			
1/8	6	0.14	1/4	761-1122-6-AL-7	.20	.10	-	-	-	761-1122-6-N	.13	.12			
3/16	6	0.14	1/4	761-1123-6-AL-7	.21	.15	761-1123-6-SS	.56	.52	761-1123-6-N	.14	.12			
1/4	6	0.14	1/4	761-1124-6-AL-7	.23	.11	761-1124-6-SS	.58	.54	761-1124-6-N	.14	.13			
5/16	6	0.14	1/4	761-1125-6-AL-7	.25	.18	-	-	-	761-1125-6-N	.15	.13			
3/8	6	0.14	1/4	761-1126-6-AL-7	.28	.14	-	-	-	761-1126-6-N	.15	.13			
7/16	6	0.14	1/4	761-1127-6-AL-7	.29	.14	761-1127-6-SS	.74	.69	761-1127-6-N	.16	.14			
1/2	6	0.14	1/4	761-1128-6-AL-7	.30	.22	-	-	-	761-1128-6-N	.16	.14			
9/16	6	0.14	1/4	761-1129-6-AL-7	.32	.24	-	-	-	761-1129-6-N	.17	.15			
5/8	6	0.14	1/4	761-1130-6-AL-7	.33	.16	761-1130-6-SS	1.02	.94	761-1130-6-N	.17	.15			
11/16	6	0.14	1/4	761-1131-6-AL-7	.35	.17	-	-	-	-	-				
3/4	6	0.14	1/4	761-1132-6-AL-7	.37	.18	761-1132-6-SS	1.06	.99	761-1132-6-N	.18	.15			
13/16	6	0.14	1/4	761-1133-6-AL-7	.39	.19	-	-	-	761-1133-6-N	.18	.16			
7/8	6	0.14	1/4	761-1134-6-AL-7	.41	.21	-	-	-	761-1134-6-N	.18	.16			
15/16	6	0.14	1/4	761-1135-6-AL-7	.43	.22	-	-	-	761-1135-6-N	.18	.16			
1	6	0.14	1/4	761-1136-6-AL-7	.45	.22	761-1136-6-SS	1.20	1.11	761-1136-6-N	.19	.16			
1/8	8	0.166	1/4	-	-	-	-	-	-	761-1122-8-N	.13	.12			
3/16	8	0.166	1/4	761-1123-8-AL-7	.21	.11	-	-	-	761-1123-8-N	.14	.12			
1/4	8	0.166	1/4	761-1124-8-AL-7	.23	.11	761-1124-8-SS	.58	.54	761-1124-8-N	.14	.13			
5/16	8	0.166	1/4	761-1125-8-AL-7	.25	.13	-	-	-	761-1125-8-N	.15	.13			
3/8	8	0.166	1/4	761-1126-8-AL-7	.28	.14	-	-	-	761-1126-8-N	.15	.13			
7/16	8	0.166	1/4	761-1127-8-AL-7	.29	.14	-	-	-	761-1127-8-N	.16	.14			
1/2	8	0.166	1/4	761-1128-8-AL-7	.30	.15	-	-	-	761-1128-8-N	.16	.14			
9/16	8	0.166	1/4	761-1129-8-AL-7	.32	.16	-	-	-	761-1129-8-N	.17	.15			
5/8	8	0.166	1/4	761-1130-8-AL-7	.33	.16	761-1130-8-SS	1.02	.94	761-1130-8-N	.17	.15			
11/16	8	0.166	1/4	-	-	-	-	-	-	761-1131-8-N	.18	.15			
3/4	8	0.166	1/4	761-1132-8-AL-7	.37	.18	761-1132-8-SS	1.06	.99	761-1132-8-N	.18	.15			
7/8	8	0.166	1/4	761-1134-8-AL-7	.41	.21	-	-	-	761-1134-8-N	.18	.16			
15/16	8	0.166	1/4	761-1135-8-AL-7	.43	.22	-	-	-	-	-				
1	8	0.166	1/4	761-1136-8-AL-7	.45	.22	-	-	-	761-1136-8-N	.19	.16			