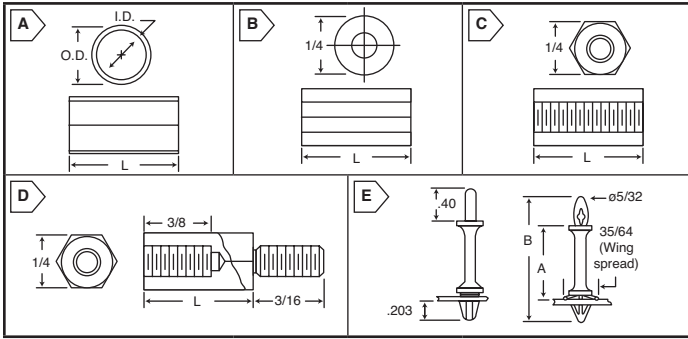


KEYSTONE Hardware



KEYSTONE ALUMINUM SPACERS

- Precision rolled
- Tight joint on outside diameter
- Square ends
- No burrs

MOUSER STOCK NO.	Fig.	Length (in.)	Screw Size	Dimensions (in.)		Price Each			
				I.D. ±.005	O.D. ±.007	1	100	500	1000
534-397	A	3/16	4	.125	.167	.14	.074	.064	.042
534-398	A	1/4	4	.125	.167	.14	.09	.07	.05
534-399	A	5/16	4	.125	.167	.15	.09	.07	.05
534-400	A	3/8	4	.125	.167	.15	.08	.07	.05
534-402	A	1/2	4	.125	.167	.16	.11	.07	.05
534-403	A	5/8	4	.125	.167	.17	.096	.088	.066
534-418	A	3/4	4	.125	.167	.16	.10	.08	.07
534-420	A	1	4	.125	.167	.16	.083	.075	.054
534-405	A	1/4	6	.151	.193	.14	.07	.06	.04
534-406	A	5/16	6	.151	.193	.17	.10	.07	.05
534-407	A	3/8	6	.151	.193	.13	.08	.07	.06
534-409	A	1/2	6	.151	.193	.14	.10	.08	.06
534-425	A	3/4	6	.151	.193	.16	.08	.072	.051
534-427	A	1	6	.151	.193	.16	.09	.083	.072
534-412	A	1/4	8	.178	.232	.18	.09	.08	.06
534-414	A	3/8	8	.178	.232	.25	.19	.12	.09
534-416	A	1/2	8	.178	.232	.23	.144	.121	.099
534-417	A	5/8	8	.178	.232	.21	.14	.11	.09
534-432	A	3/4	8	.178	.232	.29	.14	.114	.093
534-434	A	1	8	.178	.232	.31	.17	.145	.103

KEYSTONE BRASS SPACERS

- Round
- 1/4" O.D. round unthreaded
- Drilled for clearance of screw sizes shown in table
- Nickel plated

MOUSER STOCK NO.	Fig.	Length (in.)	Screw Size	Dimensions (in.)		Price Each			
				I.D.	O.D.	1	100	500	1000
534-1454A	B	1/4	4	.120	.250	.41	.24	.20	.17
534-1454C	B	1/2	4	.120	.250	.53	.381	.291	.235
534-1457A	B	1/4	6	.140	.250	.59	.41	.28	.17
534-1457B	B	3/8	6	.140	.250	.52	.321	.221	.188
534-1480	B	1/4	8	.171	.250	.43	.293	.261	.174
534-1481	B	3/8	8	.171	.250	.51	.314	.25	.217

Hex Threaded

- Zinc plated

MOUSER STOCK NO.	Fig.	Length (in.)	Screw Size	Dimensions (in.)		Price Each			
				I.D.	O.D.	1	100	500	1000
534-1450A	C	1/4	4-40	.125	.250	.45	.34	.27	.21
534-1450B	C	3/8	4-40	.125	.250	.53	.29	.27	.21
534-1450C	C	1/2	4-40	.125	.250	.55	.36	.32	.22
534-1829	C	5/8	4-40	.125	.250	.87	.759	.502	.385
534-1451A	C	1/4	6-32	.151	.250	.38	.34	.22	.18
534-1451B	C	3/8	6-32	.151	.250	.44	.31	.27	.20
534-1451C	C	1/2	6-32	.151	.250	.52	.35	.28	.24
534-1451D	C	5/8	6-32	.151	.250	.89	.71	.47	.36
534-1451E	C	3/4	6-32	.151	.250	.81	.57	.49	.39
534-1635	C	1	6-32	.151	.250	1.15	.97	.64	.49
534-1474A	C	1/4	8-32	.178	.250	.60	.33	.228	.176
534-1474B	C	3/8	8-32	.178	.250	.63	.44	.30	.23
534-1474C	C	1/2	8-32	.178	.250	.64	.451	.37	.271
534-1834	C	5/8	8-32	.178	.250	.96	.502	.444	.366
534-1474D	C	3/4	8-32	.178	.250	1.12	.55	.467	.415
534-1474E	C	1	8-32	.178	.250	1.15	.59	.52	.405

Hex Male/Female Threaded

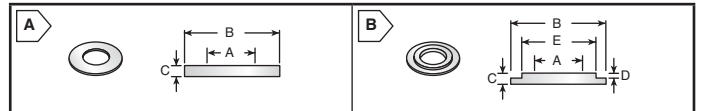
- Can be used as grounded PCB mounts
- Nickel plated

MOUSER STOCK NO.	Fig.	Length (in.)	Screw Size	Dimensions (in.)		Price Each			
				I.D.	O.D.	1	100	500	1000
534-1944	D	1/2	4-40	.125	.250	.61	.52	.46	.29
534-1945	D	5/8	4-40	.125	.250	.74	.43	.37	.28
534-1946	D	3/4	4-40	.125	.250	.84	.48	.41	.36
534-1947	D	1	4-40	.125	.250	1.11	.608	.534	.461

KEYSTONE NYLON SPACER SUPPORTS

- Fire retardant nylon
- Flexible
- For 1/16" PCB thickness
- Max. chassis thickness: .07"
- Easy PCB mounting

MOUSER STOCK NO.	Fig.	Dimensions (in.)		Price Each			
		A	B	1	100	500	1000
534-1927A	E	.250	.937	.24	.12	.08	.06
534-1928A	E	.375	1.062	.16	.09	.07	.06
534-1929A	E	.500	1.187	.26	.13	.09	.07
534-1930A	E	.625	1.312	.20	.16	.14	.13



KEYSTONE FIBER WASHERS

Material: Commercial grade fiber per ASTM D710.

Flat Washers

For quantities greater than listed, call for quote.

MOUSER STOCK NO.	Fig.	Screw Size	Dimensions: in.			Price Each			
			A	B	C	1	100	500	1000
534-3368	A	4	.120	.250	.0625	.08	.04	.03	.02
534-3201	A	6	.140	.375	.0625	.07	.05	.04	.03
534-3372	A	8	.171	.375	.0625	.06	.04	.03	.02
534-3208	A	10	.196	.375	.0625	.08	.06	.04	.03
534-3373	A	1/4	.260	.500	.0625	.09	.05	.04	.03
534-3222	A	3/8	.385	.625	.0625	.08	.05	.04	.03

Shoulder Washers

For quantities greater than listed, call for quote.

MOUSER STOCK NO.	Fig.	Screw Size	Dimensions: in.					Price Each			
			A	B	C	D	E	1	100	500	1000
534-3062	B	4	.115	.250	.062	.031	.187	.14	.10	.06	.04
534-4698	B	6	.140	.250	.093	.031	.187	.08	.062	.054	.042
534-3233	B	6	.140	.375	.093	.031	.240	.16	.08	.07	.06
534-3065	B	8	.170	.375	.093	.031	.246	.12	.07	.05	.04
534-4702	B	10	.194	.375	.093	.031	.308	.11	.06	.05	.04
534-4711	B	1/4	.253	.500	.093	.031	.308	.10	.06	.05	.04
534-3069	B	3/8	.385	.625	.093	.031	.498	.16	.08	.07	.06

KEYSTONE NYLON WASHER

For quantities greater than listed, call for quote.

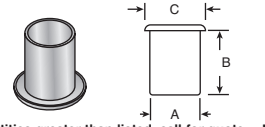
MOUSER STOCK NO.	Fig.	Screw Size	A	B	C	D	E	1	100	500	1000
534-3049	B	4	.115	.218	.071	.031	.135	.09	.05	.04	.03

KEYSTONE WIDE ROLL EYELETS

Highest engineering standards maintained to produce these eyelets to uniform dimensions. Guaranteed to be within listed tolerances. A choice of most popular sizes in general use for electronic circuitry.

Features:

- Material: brass
- Plating: bright electro tin, MIL-F-14072
- Precision made
- Solderability retained indefinitely



For quantities greater than listed, call for quote.

MOUSER STOCK NO.	Fig.	Dimensions: in.				Price Each									
		A±.003		B ±.008		C ±.005		1		100		500		1000	
		I.D.	O.D.	I.D.	O.D.	I.D.	O.D.	1	100	500	1000	1	100	500	1000
534-22	1/16	.045	.059	.062	.105	.08	.04	.03	.02						
534-23	1/16	.045	.059	.093	.105	.08	.05	.04	.03						
534-24	1/16	.045	.059	.125	.105	.07	.042	.041	.03						
534-25	1/16	.045	.059	.156	.105	.09	.053	.043	.033						
534-26	1/16	.045	.059	.187	.105	.09	.053	.043	.033						
534-27	1/16	.045	.059	.219	.105	.08	.062	.054	.042						
534-33	3/32	.070	.089	.093	.150	.08	.05	.04	.03						
534-34	3/32	.070	.089	.125	.150	.09	.05	.04	.03						
534-35	3/32	.070	.089	.156	.150	.07	.04	.039	.029						
534-36	3/32	.070	.089	.187	.150	.07	.049	.041	.031						
534-37	3/32	.070	.089	.219	.150	.08	.05	.04	.03						
534-43	1/8	.102	.121	.093	.200	.09	.05	.04	.03						
534-44	1/8	.102	.121	.125	.200	.08	.05	.04	.03						
534-45	1/8	.102	.121	.156	.200	.09	.05	.04	.03						
534-46	1/8	.102	.121	.187	.200	.10	.05	.04	.03						
534-47	1/8	.102	.121	.219	.200	.13	.069	.039	.029						
534-48	1/8	.102	.121	.250	.200	.10	.06	.05	.04						

KEYSTONE "BASIC" STAKING TOOL KIT

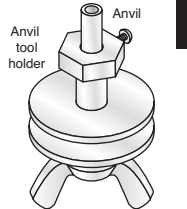
For single end terminals, eyelets, or rivets

Each Kit Contains:

- (2) 1/4" staking tools (for shank diameters of .062" to .098" & .110" to .125" respectively)
- (2) bottom anvils
- (1) toolholder
- (1) instructions

MOUSER STOCK NO.	Price Each	
	1	5
534-1721	46.44	43.64

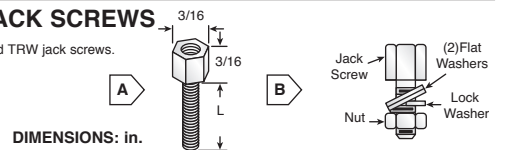
- Features:
- Build terminal boards
- Mount components quickly
- Repair circuits
- Make prototypes at your desk



KEYSTONE JACK SCREWS

Equivalent to Amp, Cannon and TRW jack screws.

- Meets MIL-C-24308/26
- Material: steel and zinc plate



* Jack Screw with Hardware

For quantities greater than listed, call for quote.

MOUSER STOCK NO.	Fig.	Description	Length (in.)	Price Each			
				1	100	500	
534-7228	A	Gold iridite	.250	.40	.23	.20	.16
* 534-7229	B	Gold iridite	.250	.53	.314	.283	.25
* 534-7229-5	B	Clear chromate	.250	.58	.34	.291	.24
534-7230	A	Gold iridite	.312	.28	.19	.17	.15
534-7230-5	A	Clear chromate	.312	.28	.19	.17	.15
* 534-7231	B	Gold iridite	.312	.34	.29	.25	.22
* 534-7231-5	B	Clear chromate	.312	.35	.28	.24	.22
534-7232	A	Gold iridite	.625	.70	.599	.489	.433
534-7232-5	A	Clear chromate	.625	.56	.47	.42	.39
* 534-7233	B	Gold iridite	.625	.74	.65	.58	.50
* 534-7233-5	B	Clear chromate	.625	.75	.651	.556	.483