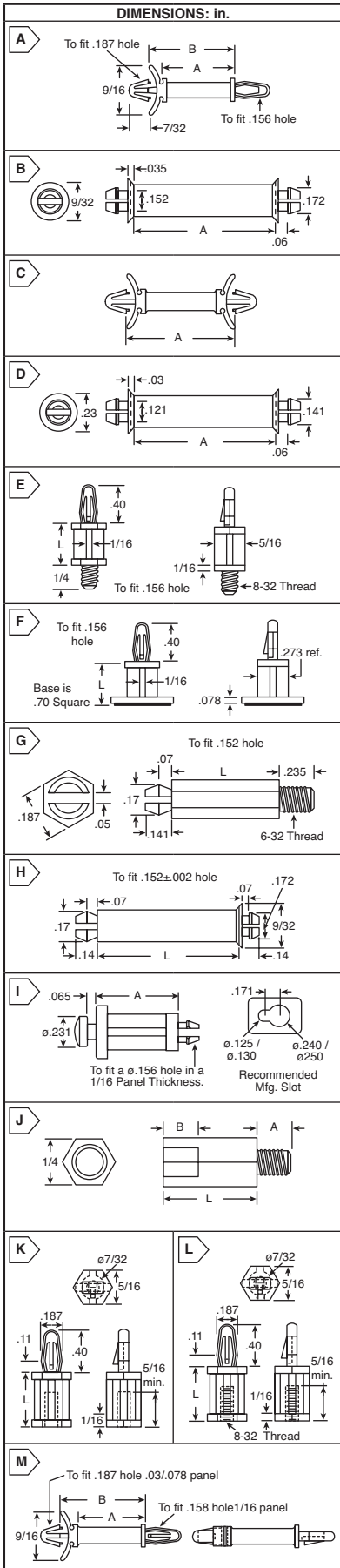


# EAGLE PLASTIC DEVICES Nylon PCB Hardware



This product is RoHS compliant.

Eagle Plastic Devices Hardware



## PCB SUPPORTS

### “Lock/Tension” Series

Designed to lock to bottom chassis and snap into a 1/16" thick panel.

For quantities greater than listed, call for quote.

MOUSER STOCK NO.	Fig.	Dimensions (in.)		Price Each			
		A	B	1	100	500	1000
561-LT187	A	.187	.307	.08	.07	.06	.04
561-LT250	A	.250	.365	.12	.09	.08	.07
561-LT375	A	.375	.495	.12	.10	.08	.07
561-LT437	A	.437	.557	.16	.11	.09	.07
561-LT500	A	.500	.625	.12	.09	.074	.064
561-LT625	A	.625	.745	.15	.11	.09	.07
561-LT875	A	.875	.995	.18	.13	.11	.08
561-LT1000	A	1.000	1.120	.22	.16	.14	.12

### “DSP”, “DLP” and “DMSP” Series

- DSP: both ends fit a .156" hole
- DMSP: both ends fit a .125" hole
- DLP: both ends fit a .187" hole

For quantities greater than listed, call for quote.

MOUSER STOCK NO.	Fig.	Dimensions (in.)		Price Each			
		A	B	1	100	500	1000
561-DSP125	B	.125	.18	.10	.09	.08	.08
561-DSP250	B	.250	.18	.11	.09	.08	.08
561-DSP375	B	.375	.24	.19	.16	.12	.12
561-DSP437	B	.437	.25	.19	.16	.12	.12
561-DSP500	B	.500	.24	.18	.15	.12	.12
561-DSP750	B	.750	.24	.18	.15	.12	.12
561-DSP1000	B	1.000	.26	.21	.17	.13	.13
561-DLP250	C	.365	.26	.20	.17	.13	.13
561-DLP375	C	.495	.26	.199	.167	.134	.134
561-DLP500	C	.625	.26	.199	.168	.136	.136
561-DLP750	C	.87	.25	.188	.157	.125	.125
561-DLP1000	C	1.12	.25	.188	.157	.125	.125
561-DMSP125	D	.125	.18	.10	.09	.08	.08
561-DMSP250	D	.250	.17	.12	.10	.09	.09
561-DMSP375	D	.375	.18	.10	.09	.08	.08
561-DMSP437	D	.437	.18	.104	.094	.083	.083
561-DMSP500	D	.500	.19	.10	.09	.08	.08
561-DMSP750	D	.750	.25	.19	.16	.106	.106
561-DMSP1000	D	1.000	.24	.18	.15	.08	.08

## PCB LOCKING SUPPORTS

### Male Threaded

For quantities greater than listed, call for quote.

MOUSER STOCK NO.	Fig.	Length (in.)	Price Each			
			1	100	500	1000
561-LMTP250	E	1/4	.13	.09	.08	.07
561-LMTP375	E	3/8	.13	.09	.08	.07
561-LMTP500	E	1/2	.16	.11	.10	.09
561-LMTP625	E	5/8	.18	.13	.10	.08
561-LMTP750	E	3/4	.20	.14	.12	.09
561-LMTP1000	E	1	.19	.129	.105	.084

### Adhesive Base

For quantities greater than listed, call for quote.

561-LAD	Fig.	Thread	Length (in.)	Price Each			
				1	100	500	1000
561-LAD187	F	3/16	.49	.36	.29	.22	
561-LAD250	F	1/4	.49	.36	.29	.22	
561-LAD375	F	3/8	.47	.34	.27	.21	
561-LAD500	F	1/2	.48	.35	.28	.21	
561-LAD625	F	5/8	.50	.37	.29	.22	
561-LAD750	F	3/4	.51	.37	.30	.22	
561-LAD1000	F	1	.50	.37	.29	.22	

## MALE PCB SUPPORT POSTS

For quantities greater than listed, call for quote.

561-MTP	Fig.	Thread	Length (in.)	Price Each			
				1	100	500	1000
561-MTP125	G	1/8	.11	.082	.072	.061	
561-MTP250	G	1/4	.12	.092	.071	.061	
561-MTP500	G	1/2	.12	.09	.08	.07	
561-MTP750	G	3/4	.13	.09	.08	.07	
561-MTP875	G	7/8	.13	.113	.082	.072	

## PCB POSTS

For quantities greater than listed, call for quote.

561-A	Fig.	Thread	Length (in.)	Price Each			
				1	100	500	1000
561-A0250	H	250	.13	.09	.08	.07	
561-A0312	H	.312	.11	.08	.07	.06	
561-A0375	H	.375	.13	.09	.07	.06	
561-A0500	H	.500	.11	.08	.07	.06	
561-A0625	H	.625	.13	.09	.08	.07	
561-A0750	H	.750	.13	.09	.08	.07	
561-A1000	H	1.000	.14	.09	.08	.07	

## KEY-SLOT PCB POSTS

For use in combination with a key-slot so that the circuit board may be removed for repairs.

For quantities greater than listed, call for quote.

MOUSER STOCK NO.	Fig.	A (in.)	Price Each			
			1	100	500	1000
561-KYP187	I	3/16	.23	.13	.107	.085
561-KYP625	I	5/8	.25	.14	.10	.07

## MALE-FEMALE THREADED STANDOFFS

For quantities greater than listed, call for quote.

MOUSER STOCK NO.	Fig.	Dimensions (in.)			Price Each			
		A	B	L	1	100	500	1000
<b>440 Thread</b>								
561-MF440-25	J	.1875	.1875	.25	.35	.20	.12	.11
561-MF440-37	J	.1875	.1875	.375	.36	.21	.15	.12
561-MF440-50	J	.1875	.1875	.5	.36	.21	.13	.11
561-MF440-62	J	.1875	.1875	.625	.34	.21	.13	.11
561-MF440-75	J	.1875	.1875	.75	.35	.21	.13	.11
561-MF440-87	J	.1875	.1875	.875	.38	.24	.14	.12
561-MF440-100	J	.1875	.1875	1	.37	.23	.13	.12
561-MF440-125	J	.1875	.1875	1.25	.38	.24	.14	.12
561-MF440-137	J	.1875	.1875	1.375	.37	.25	.19	.14
561-MF440-150	J	.1875	.1875	1.5	.39	.24	.19	.16
561-MF440-200	J	.1875	.1875	2	.39	.24	.19	.15
<b>632 Thread</b>								
561-MF632-25	J	.25	.219	.25	.34	.19	.12	.11
561-MF632-375	J	.25	.25	.375	.34	.19	.12	.11
561-MF632-50	J	.25	.25	.5	.35	.21	.13	.11
561-MF632-62	J	.25	.25	.625	.34	.19	.12	.11
561-MF632-75	J	.25	.25	.75	.34	.19	.12	.11
561-MF632-87	J	.25	.25	.875	.37	.23	.13	.12
561-MF632-100	J	.25	.25	1	.37	.23	.13	.12
561-MF632-125	J	.25	.25	1.25	.38	.24	.14	.12
561-MF632-150	J	.25	.25	1.5	.39	.24	.15	.13
561-MF632-162	J	.25	.25	1.625	.51	.31	.146	.136
561-MF632-175	J	.25	.25	1.75	.39	.24	.19	.15
561-MF632-200	J	.25	.25	2	.39	.24	.14	.13
<b>832 Thread</b>								
561-MF832-25	J	.25	.2	.25	.35	.19	.125	.115
561-MF832-37	J	.375	.27	.375	.34	.23	.19	.15
561-MF832-50	J	.375	.375	.5	.34	.19	.12	.11
561-MF832-62	J	.375	.375	.625	.34	.21	.15	.12
561-MF832-75	J	.375	.375	.75	.34	.19	.12	.11
561-MF832-100	J	.375	.375	1	.37	.25	.19	.15
561-MF832-112	J	.375	.375	1.125	.37	.23	.13	.12
561-MF832-125	J	.375	.375	1.25	.38	.24	.136	.126
561-MF832-150	J	.375	.375	1.5	.40	.27	.188	.167
561-MF832-200	J	.375	.375	2	.46	.28	.19	.15

MOUSER STOCK NO.	Fig.	Thread	Length (in.)	Price Each			
				1	100	500	1000
561-FSTP250	K	Self	.250	.30	.22	.19	.16
561-FSTP375	K	Self	.375	.31	.23	.19	.16
561-FSTP500	K	Self	.500	.36	.26	.224	.181
561-FSTP625	K	Self	.625	.32	.24	.19	.15
561-FSTP750	K	Self	.750	.34	.25	.21	.17
561-FSTP1000	K	Self	1.000	.35	.26	.224	.171
561-FTP250	L	8-32	.250	.44	.34	.28	.22
561-FTP375	L	8-32	.375	.46	.35	.29	.24
561-FTP500	L	8-32	.500	.48	.35	.30	.24
561-FTP625	L	8-32	.625	.47	.36	.30	.24
561-FTP750	L	8-32	.750	.51	.39	.32	.256
561-FTP1000	L	8-32	1.000	.53	.40	.331	.267

MOUSER STOCK NO.	Fig.	Thread	Length (in.)	Price Each			
				1	100	500	1000
561-LMTP250	E	1/4	.13	.09	.08	.07	
561-LMTP375	E	3/8	.13	.09	.08	.07	
561-LMTP500	E	1/2	.16	.11	.10	.09	
561-LMTP625	E	5/8	.18	.13	.10	.08	
561-LMTP750	E	3/4	.20	.14	.12	.09	
561-LMTP1000	E	1	.19	.129	.105	.084	

## FEMALE NYLON CIRCUIT BOARD POSTS

Note: Self-threading posts are designed for use with a #6 self-tapping screw.

- Recommended hole size: .156" • 1/4" length has a thread depth of 13/64"
- Panel thickness: 1/16"

For quantities greater than listed, call for quote.

MOUSER STOCK NO.	Fig.	Thread	Length (in.)	Price Each			
				1	100	500	1000
561-FSTP250	K	Self	.250	.30	.22	.19	