

ALTECH Liquid Tight Metal Strain Reliefs **Altech Corp.**

Altech Corp. METAL CABLE GLAND



RoHS Compliant

- Material:**
- Body: Nickel-plated brass
 - Seal: Neoprene
 - Clamping insert: PA 6
 - Sealing ring for outer thread: Nitril

- Technical Properties:**
- Seal rings included for PG and Metric sizes only
 - Maximum strain relief through clamp rang
 - Gas and water-tight
 - Temperature Range: -25°C to 120°C (-13°F to 248°F)
 - IP68 protection rating

Extended threads available.
Contact a Mouser Service Representative

PG Thread

For quantities greater than listed, call for quote.

MOUSER STOCK NO.	Altech Part No.	Fig.	Thread Size	Cable Clamp Range		Price Each			
				mm	in.	1	25	50	100
845-4220351	4220351	A	PG 7	1.5-5	.059-.197	2.37	2.25	2.13	2.03
845-4220307	4220307	A	PG 7	2.5-6.5	.098-.256	2.88	2.80	2.71	2.63
845-4220352	4220352	A	PG 9	2.5-7	.098-.276	2.07	2.01	1.96	1.89
845-4220309	4220309	A	PG 9	4-9.5	.157-.374	2.24	2.13	2.02	1.92
845-4220353	4220353	A	PG 11	3-8.5	.118-.335	2.49	2.40	2.33	2.25
845-4220311	4220311	A	PG 11	6-11.5	.236-.453	2.42	2.34	2.27	2.19
845-4220354	4220354	A	PG 13	4-10	.157-.394	3.91	3.71	3.53	3.35
845-4220313	4220313	A	PG 13	7-13	.276-.512	3.21	3.02	2.84	2.67
845-4220355	4220355	A	PG 16	5-12	.197-.472	3.81	3.62	3.44	3.27
845-4220316	4220316	A	PG 16	8-15	.315-.591	3.74	3.55	3.38	3.21
845-4220356	4220356	A	PG 21	8-16	.315-.630	6.55	6.22	5.91	5.62
845-4220321	4220321	A	PG 21	11-19	.433-.748	4.50	4.37	4.24	4.11

NPT Thread

For quantities greater than listed, call for quote.

MOUSER STOCK NO.	Altech Part No.	Fig.	Thread Size	Cable Clamp Range		Price Each			
				mm	in.	1	25	50	100
845-4220810	4220810	A	NPT 3/8"	2.5-7	.098-.276	4.33	4.10	3.91	3.71
845-4220800	4220800	A	NPT 3/8"	4-9.5	.157-.374	4.16	3.95	3.76	3.56
845-4220811	4220811	A	NPT 1/2"	4-10	.157-.394	6.19	5.87	5.58	5.30
845-4220801	4220801	A	NPT 1/2"	7-13	.276-.512	5.82	5.53	5.25	4.99
845-4220812	4220812	A	NPT 3/4"	5-13	.197-.512	8.68	8.25	7.84	7.45
845-4220802	4220802	A	NPT 3/4"	8-16	.315-.630	7.36	6.99	6.64	6.31
845-4220813	4220813	A	NPT 1"	7-17	.276-.669	20.81	19.77	18.79	17.84
845-4220803	4220803	A	NPT 1"	11-21	.433-.827	21.76	20.67	19.64	18.66

Metric Thread

For quantities greater than listed, call for quote.

MOUSER STOCK NO.	Altech Part No.	Fig.	Thread Size	Cable Clamp Range		Price Each			
				mm	in.	1	25	50	100
845-4220712	4220712	A	M 12 x 1.5	1.5-5	.059-.197	2.39	2.32	2.25	2.18
845-4220612	4220612	A	M 12 x 1.5	2.5-6.5	.098-.256	2.46	2.29	2.18	2.07
845-4220716	4220716	A	M 16 x 1.5	2.5-7	.098-.276	3.30	3.16	3.00	2.85
845-4220616	4220616	A	M 16 x 1.5	4-9.5	.157-.374	3.36	3.26	3.16	3.06
845-4220720	4220720	A	M 20 x 1.5	4-10	.157-.394	4.76	4.52	4.30	4.09
845-4220620	4220620	A	M 20 x 1.5	7-13	.276-.512	2.93	2.84	2.75	2.67
845-4220725	4220725	A	M 25 x 1.5	5-13	.197-.512	5.97	5.79	5.62	5.44
845-4220625	4220625	A	M 25 x 1.5	8-16	.315-.630	5.11	4.97	4.81	4.66
845-4220732	4220732	A	M 32 x 1.5	7-17	.276-.669	12.79	12.15	11.54	10.97
845-4220632	4220632	A	M 32 x 1.5	11-21	.433-.827	8.78	8.53	8.27	8.02

Altech Corp. EMC METAL CABLE GLAND



RoHS Compliant

- Material:**
- Body: Nickel-plated brass
 - Seal: Tefaloc
 - Clamping ring for grounding connection: Tin-plated plastic
 - Seal ring for outer thread: Nitril
 - Characteristic feature: PG/Metric thread

- Technical Properties:**
- Continuous EMC protection due to tin-plated plastic
 - Gas and water-tight
 - Completely twist protected
 - Combinable with various sealing inserts
 - Temperature range: -25°C to 120°C (-13°F to 248°F)
 - IP68 protection rating

PG Thread

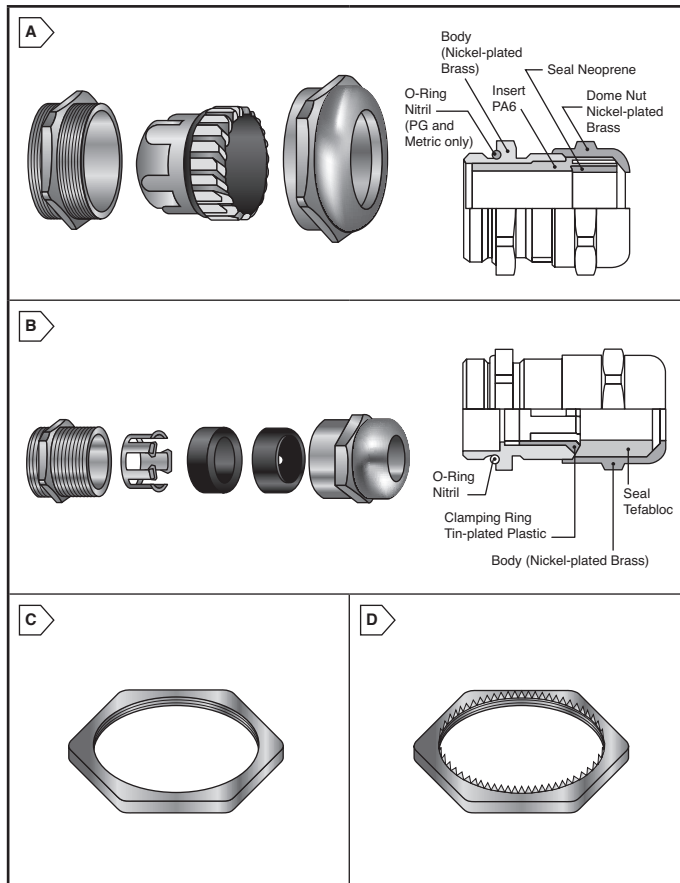
For quantities greater than listed, call for quote.

MOUSER STOCK NO.	Altech Part No.	Fig.	Thread Size	Cable Clamp Range		Price Each			
				mm	in.	1	25	50	100
845-4264007	4264007	B	PG 7	4-6.5	.157-.256	4.25	4.00	3.85	3.72
845-4264009	4264009	B	PG 9	5-8.5	.197-.335	4.48	4.32	4.19	4.12
845-4264011	4264011	B	PG 11	7-10.5	.276-.413	6.33	5.88	5.63	5.46
845-4264013	4264013	B	PG 13	8-12.5	.315-.492	7.51	7.13	6.78	6.44
845-4264016	4264016	B	PG 16	10-14.5	.394-.571	7.19	6.98	6.77	6.56
845-4264021	4264021	B	PG 21	13.5-18	.531-.709	11.97	11.37	10.80	10.27
845-4264029	4264029	B	PG 29	17-24	.669-.945	24.98	23.73	22.55	21.42

Metric Thread

For quantities greater than listed, call for quote.

MOUSER STOCK NO.	Altech Part No.	Fig.	Thread Size	Cable Clamp Range		Price Each			
				mm	in.	1	25	50	100
845-4264112	4264112	B	M 12 x 1.5	4-6.5	.157-.256	4.61	4.38	4.16	3.95
845-4264116	4264116	B	M 16 x 1.5	4-6.5	.157-.256	4.98	4.73	4.49	4.27
845-4264117	4264117	B	M 16 x 1.5	5-8.5	.197-.335	5.45	5.18	4.92	4.67
845-4264120	4264120	B	M 20 x 1.5	7-10.5	.276-.413	7.40	7.03	6.68	6.34
845-4264121	4264121	B	M 20 x 1.5	8-12.5	.315-.492	7.49	7.11	6.75	6.41
845-4264125	4264125	B	M 25 x 1.5	10-14.5	.394-.571	9.65	9.16	8.70	8.28
845-4264132	4264132	B	M 32 x 1.5	13.5-18	.531-.709	18.00	17.10	16.25	15.44



Altech Corp. LOCK NUTS



RoHS Compliant

Nickel-Plated Brass

For quantities greater than listed, call for quote.

MOUSER STOCK NO.	Altech Part No.	Fig.	Thread Size	Price Each			
				1	25	50	100
PG (DIN 46 320)							
845-6000070	6000070	C	PG 7	.25	.22	.21	.18
845-6000096	6000096	C	PG 9	.25	.23	.20	.18
845-6000118	6000118	C	PG 11	.46	.417	.375	.333
845-6000134	6000134	C	PG 13.5	.61	.55	.50	.44
845-6000169	6000169	C	PG 16	.76	.705	.631	.568
845-6000215	6000215	C	PG 21	.72	.70	.68	.66
845-6000290	6000290	C	PG 29	.84	.825	.794	.774
Metric							
845-6004121	6004121	C	M 12 x 1.5	.25	.22	.21	.18
845-6004164	6004164	C	M 16 x 1.5	.34	.30	.27	.24
845-6004202	6004202	C	M 20 x 1.5	.47	.42	.38	.33
845-6004253	6004253	C	M 25 x 1.5	.71	.65	.58	.51
845-6004326	6004326	C	M 32 x 1.5	.81	.77	.73	.69

Ribbed Nickel-Plated Brass

Press EMC Applications

For quantities greater than listed, call for quote.

MOUSER STOCK NO.	Altech Part No.	Fig.	Thread Size	Price Each			
				1	25	50	100
PG							
845-6011007	6011007	D	PG 7	.71	.687	.646	.625
845-6011009	6011009	D	PG 9	.68	.64	.61	.58
845-6011011	6011011	D	PG 11	.65	.635	.614	.594
845-6011013	6011013	D	PG 13.5	.69	.675	.644	.634
845-6011016	6011016	D	PG 16	.76	.74	.72	.70
845-6011021	6011021	D	PG 21	1.04	1.00	.97	.94
845-6011029	6011029	D	PG 29	1.54	1.50	1.46	1.40
Metric							
845-6011112	6011112	D	M 12 x 1.5	.69	.63	.56	.50
845-6011116	6011116	D	M 16 x 1.5	.74	.72	.70	.67
845-6011120	6011120	D	M 20 x 1.5	.94	.91	.88	.86
845-6011125	6011125	D	M 25 x 1.5	1.40	1.36	1.32	1.28