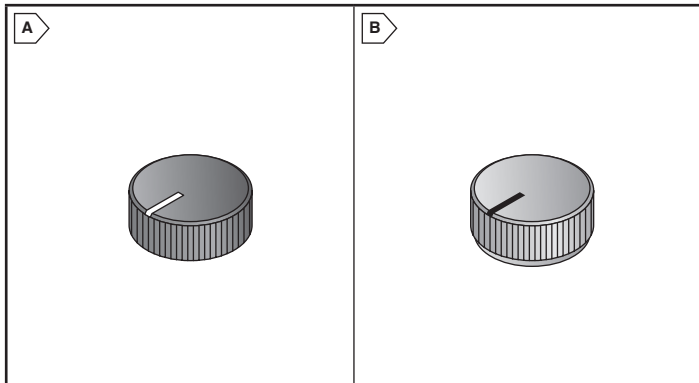


EAGLE PLASTIC DEVICES Control and Instrument Knobs



MACHINED ALUMINUM CONTROL KNOBS

Straight Knurl with Top Indicator Line, Single Set Screw

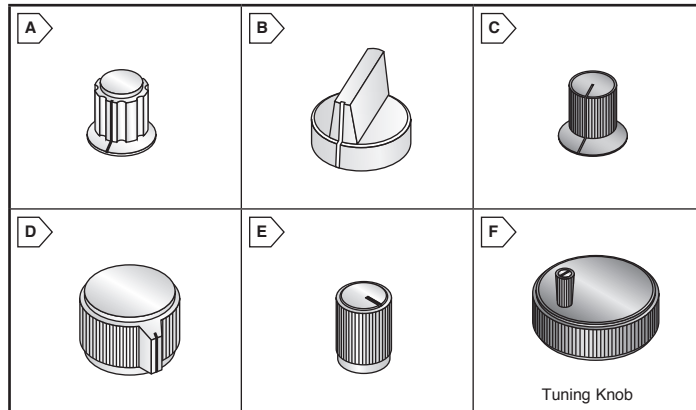
For quantities greater than listed, call for quote.

MOUSER STOCK NO.	Fig.	Color	Dimensions: in.			Price Each			
			Shaft	Dia.	Height	1	10	100	500
450-KB100	A	Natural	.125	.39	.49	2.84	2.02	1.72	1.58
450-KB101	A	Black	.125	.39	.49	2.84	2.02	1.72	1.58
450-KB200	A	Natural	.250	.79	.49	3.77	2.52	2.29	2.08
450-KB201	A	Black	.250	.79	.49	3.77	2.52	2.29	2.08
450-KB300	A	Natural	.250	1.18	.49	5.47	3.76	3.34	3.04
450-KB301	A	Black	.250	1.18	.49	5.47	3.76	3.34	3.04

Straight Knurl with Top and Side Indicator Line, Dual Set Screw

For quantities greater than listed, call for quote.

MOUSER STOCK NO.	Fig.	Color	Dimensions: in.			Price Each			
			Shaft	Dia.	Height	1	10	100	500
450-KLN510	B	Natural	.125	.50	.63	4.44	2.97	2.69	2.45
450-KLN520	B	Black	.125	.50	.63	4.44	2.97	2.69	2.45
450-KLN530	B	Natural	.250	.50	.63	4.44	2.97	2.69	2.45
450-KLN540	B	Black	.250	.50	.63	4.44	2.97	2.69	2.45
450-KLN710	B	Natural	.125	.74	.63	5.13	3.42	3.11	2.83
450-KLN720	B	Black	.125	.74	.63	5.13	3.42	3.11	2.83
450-KLN730	B	Natural	.250	.74	.63	5.13	3.42	3.11	2.83
450-KLN740	B	Black	.250	.74	.63	5.13	3.42	3.11	2.83
450-KLN910	B	Natural	.250	.94	.63	5.89	3.93	3.57	3.25
450-KLN920	B	Black	.250	.94	.63	5.89	3.93	3.57	3.25
450-KLN125A	B	Natural	.250	1.25	.63	7.08	4.72	4.29	3.90
450-KLN125B	B	Black	.250	1.25	.63	7.08	4.72	4.29	3.90



ALUMINUM KNOBS

Features:

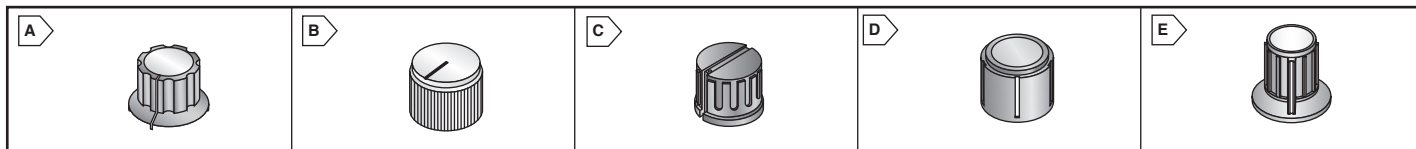
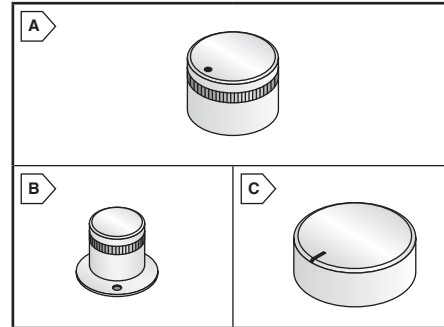
- Machined from solid aluminum
- Spin polished finish
- Dual set screws

MOUSER STOCK NO.	Fig.	Color	Shaft Size	Dimension: in.		Price Each				
				Dia.	Height	1	10	100	500	1000
450-MAS51	A	Natural	1/8	0.74	0.625	5.20	4.34	3.94	3.58	3.10
450-MAS52	A	Black	1/8	0.74	0.625	5.24	4.37	3.97	3.60	3.12
450-MAS53	A	Natural	1/4	0.74	0.625	5.24	4.37	3.97	3.60	3.12
450-MAS54	A	Black	1/4	0.74	0.625	5.24	4.37	3.97	3.60	3.12
450-MAS71	A	Natural	1/4	1.14	0.625	6.12	5.11	4.64	4.22	3.89
450-MAS72	A	Black	1/4	1.14	0.625	6.12	5.11	4.64	4.22	3.89
450-MAS91	A	Natural	1/4	1.40	0.625	7.80	6.51	5.91	5.37	4.94
450-MAS92	A	Black	1/4	1.40	0.625	7.80	6.51	5.91	5.37	4.94
450-MCB51	B	Natural	1/4	0.50	0.75	4.62	3.85	3.50	3.06	2.81
450-MCB61	B	Natural	1/4	0.62	0.75	5.01	4.17	3.79	3.14	2.88
450-MCB62	B	Black	1/4	0.62	0.75	5.01	4.17	3.79	3.14	2.88
450-MCB71	B	Natural	1/4	0.74	0.90	5.32	4.43	4.03	3.66	3.36
450-MCB72	B	Black	1/4	0.74	0.90	5.32	4.43	4.03	3.66	3.36
450-MCB91	B	Natural	1/4	0.94	0.90	6.37	5.31	4.83	4.39	4.03
450-MCB92	B	Black	1/4	0.94	0.90	6.37	5.31	4.83	4.39	4.03
450-MLNS51	C	Natural	1/4	0.75	0.63	5.06	4.23	3.83	3.49	3.21
450-MLNS52	C	Black	1/4	0.75	0.63	5.06	4.23	3.83	3.49	3.21
450-MPN71	D	Natural	1/4	0.89	0.625	5.05	4.22	3.83	3.49	3.21
450-MPN72	D	Black	1/4	0.89	0.625	5.05	4.22	3.83	3.49	3.21
450-MPN91	D	Natural	1/4	1.10	0.625	6.05	5.04	4.58	4.17	3.82
450-MPN92	D	Black	1/4	1.10	0.625	6.05	5.04	4.58	4.17	3.82
450-MLN54	E	Black	1/4	0.50	0.625	3.32	2.77	2.52	2.29	2.11
450-MLN72	E	Black	1/4	0.74	0.625	4.12	3.44	3.12	2.84	2.60
450-1755	F	Black	1/4	1.75	1.14	9.88	8.99	8.17	7.43	6.84

UNIQUE COMBINATION LIGHT WEIGHTALUMINUM AND PLASTIC KNOBS

• Machined aluminum shell with plastic insert knob

MOUSER STOCK NO.	Fig.	Color	Features	Shaft Size	Dimension in.			Price Each			
					Dia.	Height	1	10	100	500	1000
450-ME51	A	Natural/Black	Dual set screws	1/8	0.50	0.65	3.76	3.14	2.84	2.47	2.27
450-ME52	A	Natural/Black	Dual set screws	1/4	0.50	0.65	3.76	3.14	2.84	2.47	2.27
450-ME71	A	Natural/Black	Dual set screws	1/4	0.74	0.65	4.62	3.85	3.50	3.06	2.82
450-MES51	B	Natural/Black	Dual set screws	1/8	0.74	0.63	4.79	3.99	3.63	3.31	3.04
450-MES52	B	Natural/Black	Dual set screws	1/4	0.74	0.63	4.79	3.99	3.63	3.31	3.04
450-MES71	B	Natural/Black	Dual set screws	1/4	1.13	0.63	6.38	5.32	4.83	4.39	4.04
450-3825	C	Natural	Brass insert single set screw	1/4	1.50	0.63	3.38	2.83	2.57	2.33	2.15
450-3225	C	Natural	Brass insert single set screw	1/4	1.26	0.55	3.51	2.94	2.67	2.42	2.23
450-2925	C	Natural	Brass insert single set screw	1/4	1.14	0.55	2.38	1.99	1.81	1.65	1.51
450-2225	C	Natural	Brass insert single set screw	1/4	0.87	0.51	2.18	1.81	1.64	1.50	1.38
450-1825	C	Natural	Brass insert single set screw	1/4	0.71	0.47	2.06	1.72	1.56	1.43	1.30
450-1425	C	Natural	Brass insert single set screw	1/4	0.55	0.63	2.04	1.71	1.56	1.30	1.18



PLASTIC KNOBS

* T18 is a 6mm, 18 tooth knurled shaft.

MOUSER STOCK NO.	Fig.	Color	Features	Shaft Size	Dia. In.	Dimension In. H	Price Each				
							1	10	100	500	1000
450-3618	A	Black	Spun aluminum inlay	T18 *	1.06	0.63	.71	.475	.437	.40	.362
450-4618	A	Black	Spun aluminum inlay	T18 *	0.79	0.47	.77	.518	.477	.436	.395
450-AE181	B	White	Black ind. Line	T18 *	0.71	0.68	.49	.338	.309	.281	.239
450-AE185	B	Gray	Black ind. Line	T18 *	0.71	0.68	.49	.338	.309	.281	.239
450-AE186	B	Black	Black ind. Line	T18 *	0.71	0.68	.49	.338	.309	.281	.239
450-AE141	B	Black	Black ind. Line	T18 *	0.55	0.65	.45	.304	.275	.246	.217
450-CE15	C	Black	Brass insert single set screw	1/4	0.59	0.59	1.02	.796	.721	.656	.591
450-3102-GR	D	Black	Spun aluminum inlay	D	0.78	0.62	.96	.74	.68	.62	.57
450-2401-GR	E	Black	Spun aluminum inlay	D	0.79	0.67	1.14	.76	.63	.57	.52