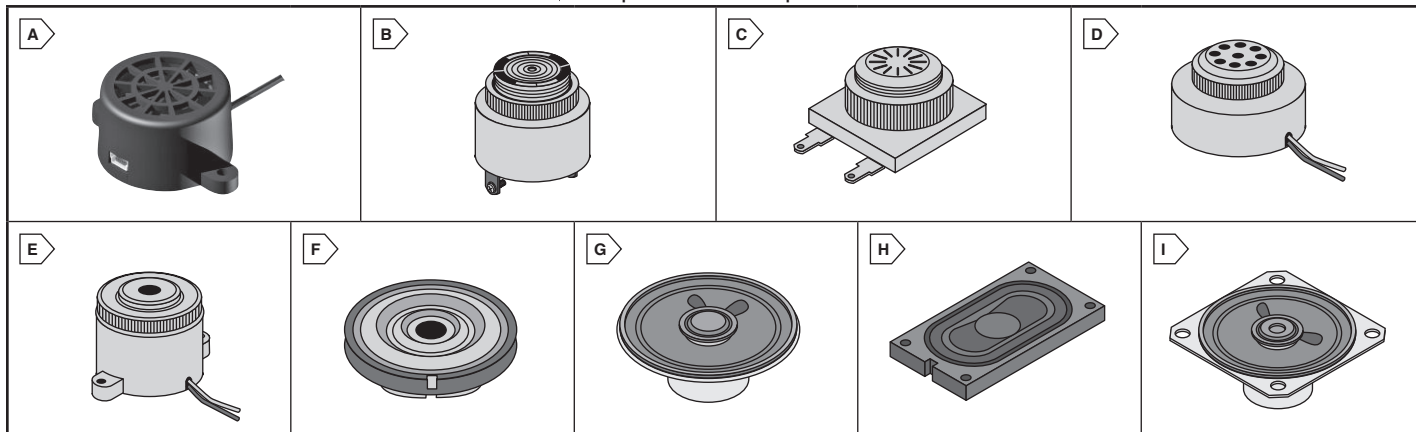


PUI AUDIO Speakers, Indicators, and Sirens

RoHS Compliant This product is RoHS compliant.



PROGRAMMABLE INDICATORS

Specifications:

- Voltage Range: 7 ~ 24VDC
- Max. File Length: 33 seconds

Features:

- Ability to program any WAV or MP3 file
- Simple-to-use Windows interface



For quantities greater than listed, call for quote.

MOUSER STOCK NO.	PUI Part No.	Fig.	Dimensions: mm (H x W x L)	Resonant Frequency (Hz)	Tone	SPL Min. (10cm)	Rated Voltage	Rated Current (Max. mA)	Washable	Price Each					
										1	25	50	100		
665-API-4260-LW150-R	API-4260-LW150-R	A	60 x 25 x 42	100 ~6000	Continuous	100Db	12VDC	350	No	17.50	16.07	15.88	14.43		
Accessories											Description				
665-API-CABLE	API-CABLE		1 meter USB to mini B USB cable									5.62	5.05	4.87	4.43

INDICATORS

Features:

- UL Recognized

For quantities greater than listed, call for quote.

MOUSER STOCK NO.	PUI Part No.	Fig.	Dimensions: mm (H x W x L)	Resonant Frequency (Hz)	Tone	SPL Min. (10cm)	Rated Voltage	Rated Current (Max. mA)	Washable	Price Each			
										1	25	50	100
665-AI4228PC28R	AI-4228-P-C28-R	B	32.5 x 42.5 x 42.5	2800	Continuous	88dB	12VDC	10	No	14.14	13.11	11.45	10.11
665-AI4329P-SR28R	AI-4329-P-SP28-R	B	32.5 x 42.5 x 42.5	2900	Slow	88dB	12VDC	6	No	9.92	9.02	7.89	7.17
665-AI-4328PC282-R	AI-4328-P-C28-2-R	B	32.5 x 42.5 x 42.7	2800	Continuous	97dB	12VDC	8	No	9.04	8.22	7.19	6.80

PANEL MOUNT SPEAKERS

Features:

- Higher SPL output
- Wider voltage range

Applications:

- Industrial equipment
- Leisure equipment (golf carts, ATVs, etc.)

For quantities greater than listed, call for quote.

MOUSER STOCK NO.	PUI Part No.	Fig.	Dimensions: mm (H x W x L)	Resonant Frequency (Hz)	Tone	SPL Min. (10cm)	Voltage Range (VDC)	Rated Voltage	Rated Current (Max. mA)	Washable	Price Each			
											1	25	50	100
665-AI-4328PC282-R	AI-4328-P-C120D-R	B	33 x 42.5 x 42.5	2800	Continuous	98dB	30 - 120	110VAC/VDC	17	No	9.04	8.22	7.19	6.80
665-AI4329PPFP28R	AI-4329-P-FP28-R	B	33 x 43 x 43	2900	Fast	88dB	6 - 28	12VDC	6	No	9.92	7.17	7.12	7.07
665-AI4329P-SR28R	AI-4329-P-SP28-R	B	33 x 43 x 43	2900	Slow	88dB	4 - 28	12VDC	6	No	9.92	9.02	7.89	7.17
665-AI-4429-P-C12-R	AI-4429-P-C12-R	B	34.5 x 43.5 x 43.5	2900	Continuous	105dB	1 - 16	12VDC	30	No	8.23	7.48	6.55	5.55
665-AI4429PCP12R	AI-4429-P-CP12-R	B	34.5 x 43.5 x 43.5	2900	Multiple	100dB	4 - 16	12VDC	25	No	10.12	9.20	8.05	6.80
665-X-4028-P-C32-R	X-4028-P-C32-R	C	23 x 40 x 40	2800	Continuous	105dB	3 - 32	32VDC	22	No	7.90	7.18	5.73	5.32
665-X5328PCLW165-R	X-5328-P-C-LW165-R	D	31 x 53 x 53	2800	Continuous	103dB	3 - 12	6VDC	20	No	11.88	10.80	9.45	8.00

SIRENS

Features:

- Extremely loud output
- Multiple tone outputs
- Available with visual notification
- Available with or without volume control

- Will operate in extreme conditions
- Can be used for warning or alerting in potentially dangerous/noisy environments

Applications:

- Fire, safety and security
- Industrial panels and devices
- Industrial vehicles
- Marine equipment
- Public transportation

For quantities greater than listed, call for quote.

MOUSER STOCK NO.	PUI Part No.	Fig.	Dimensions: mm (H x W x L)	Resonant Frequency (Hz)	Voltage Range	Typical SPL (10cm)	Tone	Price Each			
								1	25	50	100
665-AW10FRNSVC	AW-10FR-NSVC	E	43 x 52.5 x 71	4000	9 - 28VDC	118dB	2 Tones	22.62	22.57	22.52	22.47
665-AW10PWNSVC	AW-10PW-NSVC	D	45 x 50 x 50	3000	9 - 28VDC	106dB	2 Tones	27.15	27.10	27.05	27.00
665-AW15SBW	AW-15SBW	-	75 x 93 x 93	2800	9 - 28VDC	NA	32 Tones	63.10	50.48	47.33	44.11

MINIATURE SPEAKER TRANSDUCERS

For quantities greater than listed, call for quote.

MOUSER STOCK NO.	PUI Part No.	Fig.	Dimensions: mm (H x W x L)	Rated Power (W)	Max. Power (W)	Impedance (Ω)	Cone Material	Resonant Frequency (Hz)	Frequency Range (Hz)	Price Each			
										1	25	50	100
665-ADS02008MRR	ADS02008MR-R	F	4 x 19.9 x 19.9	0.08	0.2	8	Mylar	750	750 - 5000	3.24	2.50	2.23	1.84
665-ADS02908MRR	ADS02908MR-R	F	9.5 x 29 x 29	0.1	0.2	8	Mylar	650	650 - 4000	3.24	2.50	2.23	1.84

WATER RESISTANT SPEAKERS

Features:

- Extends life of normal paper speaker
- Offers the sound quality of a paper diaphragm speaker with the element resistance of a mylar diaphragm speaker
- Water resistant coating has little to no effect on the quality of sound reproduction

- Coating process is FAA Approved and used daily in military and aerospace applications
- Water resistant coating material is MIL-I-46058C and IPC-CC-830 qualified and is in full compliance with RoHS standards

For quantities greater than listed, call for quote.

MOUSER STOCK NO.	PUI Part No.	Fig.	Dimensions: mm (H x W x L)	Rated Power (W)	Max. Power (W)	Impedance (Ω)	Cone Material	Resonant Frequency (Hz)	Frequency Range (Hz)	Price Each			
										1	25	50	100
665-AS04008PRWRR	AS04008PR-WR-R	G	6.55 x 40 x 40	0.5	0.8	8	Treated Paper	700	700 - 4750	3.63	3.26	2.90	2.54
665-AS05008PRWRR	AS05008PR-WR-R	G	12 x 50 x 50	1	1.5	8	Treated Paper	550	550 - 5000	4.08	3.67	3.26	2.85
665-AS02708COWRR	AS02708CO-WR-R	H	6 x 20.5 x 27	1	3	8	Treated Cloth	550	250 - 20000	4.30	3.87	3.44	3.00
665-AS04008PO2WRR	AS04008PO-2-WR-R	H	11.5 x 28.3 x 40	1	2	8	Treated Paper	450	450 - 20000	5.25	4.73	4.20	3.67
665-AS04008PS4WRR	AS04008PS-4W-WR-R	I	11.5 x 28.3 x 40	2	4	8	Paper	380	380 - 20000	5.25	4.73	4.20	3.67
665-AS07108POWRR	AS07108PO-WR-R	H	25 x 41 x 71	3	5	8	Treated Paper	250	100 - 20000	4.75	4.28	3.80	3.31
665-AS09008PO2WRR	AS09008PO-2-WR-R	H	40.5 x 50 x 90	5	8	8	Paper	240	240 - 18000	5.06	5.01	4.78	3.79
665-AS06608PSWRR	AS06608PS-WR-R	I	29 x 66.3 x 66.3	4	5	8	Treated Paper	230	230 - 12000	6.83	6.14	5.46	4.76
665-AS07708PS2WRR	AS07708PS-2-WR-R	I	25.5 x 77 x 77	4	8	8	Treated Paper	270	270 - 8000	4.65	4.19	3.72	3.25