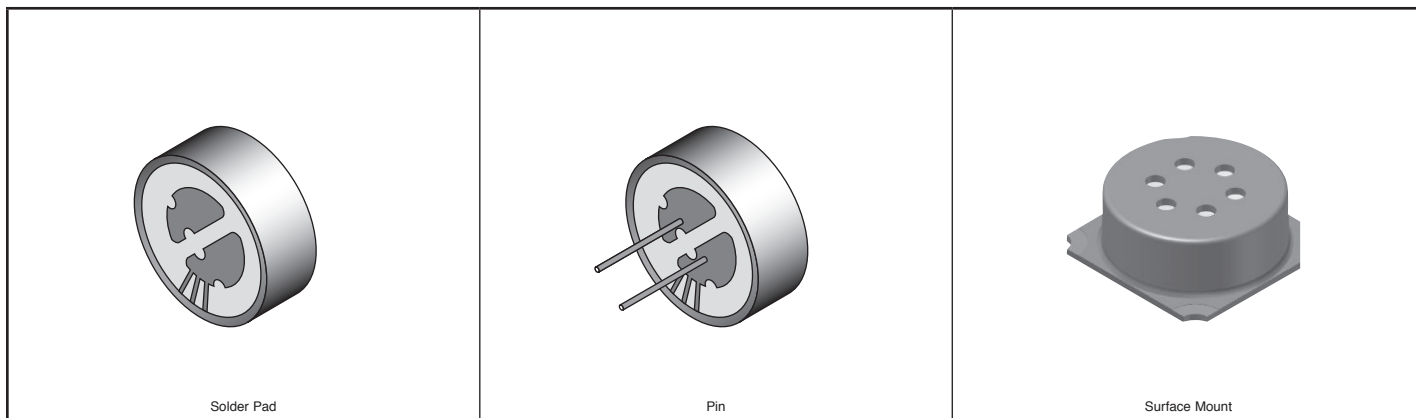


PUI AUDIO Electret Condenser Microphones

RoHS Compliant  This product is RoHS compliant.



ELECTRET CONDENSER MICROPHONES

Features:

- Electret Condenser
- Small in size
- Available in omni-directional, uni-directional and noise canceling
- Available with internal feedback capacitors
- Low power consumption
- Available in multiple mounting types

Applications:

- Hand Held Devices
- Medical equipment and systems
- Security alarms and equipment
- Computer related devices
- Voice-activated equipment

Omni-Directional

For quantities greater than listed, call for quote.

MOUSER STOCK NO.	PUI Part No.	Terminal Type	Dimensions: mm	Sensitivity (dB)	Impedance (KΩ)	VDC	Washable	Price Each			
								1	25	50	100
665-AOM-6742L-R	AOM-6742L-R	Solder Pad	6.7 x 9.7	-42	2.2	1.5	No	1.25	1.24	1.13	.874
665-AOM4546LR	AOM-4546L-R	Solder Pad	4.5 x 9.7	-46	2.2	1.5	No	.84	.77	.67	.58
665-AOM4546PR	AOM-4546P-R	Pin	4.5 x 9.7	-46	2.2	1.5	No	.88	.81	.70	.60
665-AOM-4544P-2R	AOM-4544P-2-R	Pin	4.5 x 9.7	-44	2.2	1.5	No	.97	.88	.77	.65
665-AOM-4540L-R	AOM-4540L-R	Solder Pad	6.5 x 9.4	-40	2.2	1.5	No	1.25	1.24	1.13	.969
665-AOM6545PR	AOM-6545P-R	Pin	5.2 x 6	-45	1	4.5	No	.88	.81	.70	.60
665-POM5238PR	POM-5238P-R	Pin	3.5 x 6	-38	2.2	2	No	1.45	1.32	1.21	1.03
665-POM3546LR	POM-3546L-R	Solder Pad	3 x 6	-46	2.2	2	No	1.39	1.27	1.10	.95
665-POM3042LR	POM-3042L-R	Solder Pad	3 x 6	-42	2.2	2	No	1.43	1.30	1.14	.98
665-POM2744PC33-R	POM-2744P-C33-R	Pin	3.2 x 6	-44	2.2	2	No	2.52	2.31	2.10	1.26
665-POM2738LR	POM-2738L-R	Solder Pad	2.2 x 6	-38	2.2	2	No	2.02	1.95	1.89	1.55
665-POM2738PC33R	POM-2738P-C33-R	Pin	2.7 x 6	-38	2.2	2	No	1.98	1.78	1.58	1.50
665-POM-2738P-R	POM-2738P-R	Pin	2.7 x 6	-38	2.2	2	No	2.12	1.97	1.90	1.55
665-POM-2735P-R	POM-2735P-R	Pin	2.7 x 6	-35	2.2	3	No	2.00	1.92	1.42	1.31
665-POM2246P2R	POM-2246P-2-R	Pin	2.2 x 6	-46	2.2	2	No	1.61	1.46	1.28	1.09
665-POM2246PC33R	POM-2246P-C33-R	Pin	2.2 x 6	-46	2.2	2	No	1.74	1.58	1.38	1.18
665-POM2244LC33R	POM-2244L-C33-R	Solder Pad	2.2 x 6	-44	2.2	2	No	1.74	1.58	1.38	1.18
665-POM2244P2R	POM-2244P-2-R	Pin	2.2 x 6	-44	2.2	2	No	1.61	1.46	1.28	1.09
665-ROM2244PNFR	ROM-2244P-NF-R	Pin	2.2 x 5.8	-44	2.2	2	No	1.61	1.46	1.28	1.19
665-ROM2238PNFR	ROM-2238P-NF-R	Pin	2.2 x 5.8	-38	2.2	2	No	1.61	1.46	1.28	1.19
665-TOM1242LNFR	TOM-1242L-NF-R	Solder Pad	1.2 x 4	-42	2.2	2	No	2.20	2.00	1.75	1.50
665-TOM1545PR	TOM-1545P-R	Pin	1.5 x 4	-45	2.2	2	No	2.02	1.84	1.61	1.38
665-AOW4544PC3310BR	AOW-4544P-C3310-B-R	Pin	4.5 x 9.7	-44	2.2	2	Yes	2.23	2.00	1.78	1.69
665-POW2742PC3310BR	POW-2742P-C3310-B-R	Pin	2.7 x 6	-42	2.2	2	Yes	2.38	2.14	1.90	1.81
665-POW2242LC3310BR	POW-2242L-C3310-B-R	Solder Pad	2.2 x 6	-42	2.2	2	Yes	2.38	2.14	1.90	1.81
665-POW2242PC3310BR	POW-2242P-C3310-B-R	Pin	2.2 x 6	-42	2.1	2	Yes	2.38	2.14	1.90	1.81
665-POW1644LBR	POW-1644L-B-R	Solder Pad	1.6 x 6	-44	2.2	3	Yes	2.95	2.66	2.36	2.24
665-POW1644PBR	POW-1644P-B-R	Pin	1.6 x 6	-44	2.2	3	Yes	2.95	2.66	2.36	2.24
665-POS1644RC33102R	POS-1644R-C3310-2-R	Surface Mount	1.6 x 6.4 x 6.4	-44	2.2	3	No	3.10	2.79	2.48	1.96
665-POS1644RC3310R	POS-1644R-C3310-R	Surface Mount	1.6 x 8.8 x 6.4	-44	2.2	3	No	3.10	2.79	2.48	1.96

Uni-Directional

For quantities greater than listed, call for quote.

MOUSER STOCK NO.	PUI Part No.	Terminal Type	Dimensions: mm	Sensitivity (dB)	Impedance (KΩ)	VDC	Washable	Price Each			
								1	25	50	100
665-PUM3046LR	PUM-3046L-R	Solder Pad	3 x 6	-46	2.2	2	No	1.78	1.61	1.42	1.21
665-PUM3546LR	PUM-3546L-R	Solder Pad	3.5 x 6	-46	2.2	2	No	1.78	1.61	1.42	1.21
665-PUM5250LR	PUM-5250L-R	Solder Pad	5.2 x 6	-50	2.2	2	No	1.68	1.53	1.40	1.28
665-DUM5246LR	DUM-5246L-R	Solder Pad	5.2 x 8	-46	2.2	2	No	1.95	1.78	1.63	1.49
665-AUM-5247L-R	AUM-5247L-R	Solder Pad	5.2 x 9.7	-47	0.68	1.5	No	1.98	1.82	1.65	.99

Noise Canceling

For quantities greater than listed, call for quote.

MOUSER STOCK NO.	PUI Part No.	Terminal Type	Dimensions: mm	Sensitivity (dB)	Impedance (KΩ)	VDC	Washable	Price Each			
								1	25	50	100
665-TNM3054LR	TNM-3054L-R	Solder Pad	3 x 4.5	-54	2.2	2	No	3.03	2.78	1.60	1.46
665-PNM2751LR	PNM-2751L-R	Solder Pad	2.7 x 6	-51	2.2	2	No	2.42	2.20	1.93	1.62
665-PNM3546LR	PNM-3546L-R	Solder Pad	3.5 x 6	-46	2.2	2	No	1.61	1.46	1.28	1.19
665-PNM5250LR	PNM-5250L-R	Solder Pad	5.2 x 6	-50	2.2	1.5	No	2.70	2.48	2.25	1.35
665-ANM-5254L-R	ANM-5254L-R	Solder Pad	5.2 x 9.7	-54	0.68	1.5	No	.96	.877	.772	.658